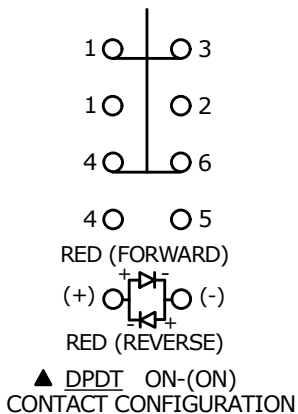


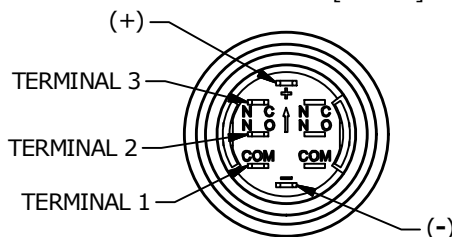
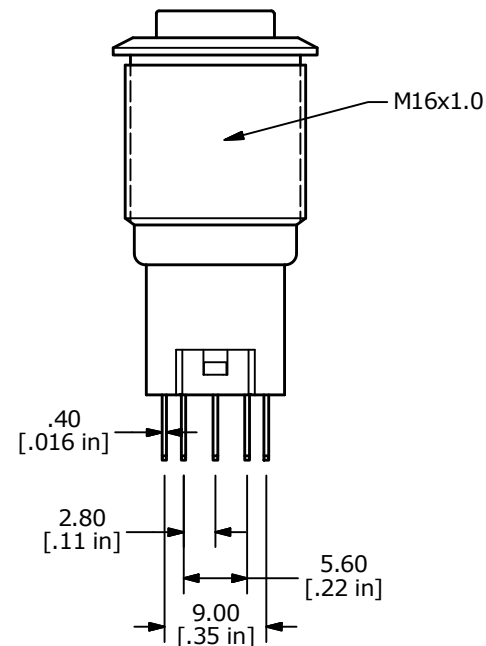
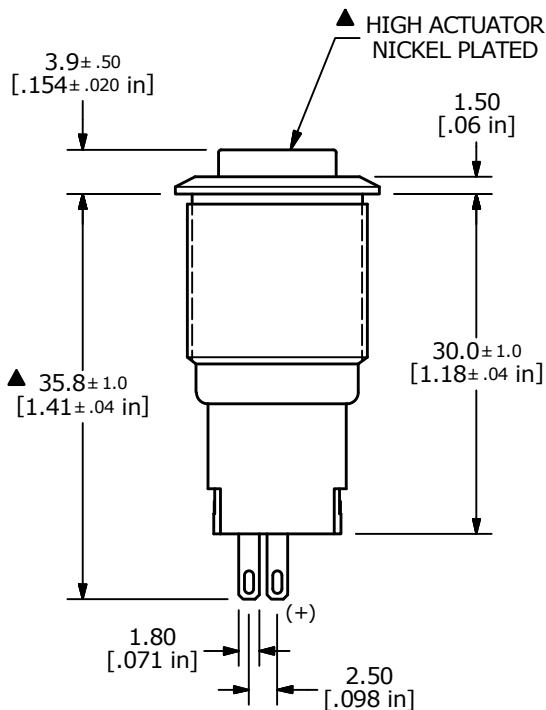
SWITCH FUNCTION	
POS. 1	POS. 2
ON	(ON)
1-3, 4-6	1-2, 4-5

(ON) = MOMENTARY



NOTE:

1. ALL DIMENSIONS IN MM [INCH]
2. GENERAL TOLERANCE: X.X = ±0.4  
X.XX = ±0.25
3. TERMINAL NUMBERS FOR REF ONLY
- ▲ 4. CONTACT MATERIAL: SILVER
5. RATING: 2A 48VDC
6. ELECTRIC LIFE: 50,000 MAKE-AND-BREAK CYCLES AT FULL LOAD.
7. INSULATION RESISTANCE: 1,000 MΩ MIN.
8. DIELECTRIC STRENGTH: 2,000 VAC MIN. FOR 1 MINUTE
9. CONTACT RESISTANCE: 50mΩ MAX. @ 1A 12VDC
10. OPERATING TEMP.: -20°C to 55°C
11. ▲ DENOTES CRITICAL PARAMETER.
- ▲ 12. HARDWARE SUPPLIED: O-RING AND HEXNUT
13. INGRESS RATING: IP40
- ▲ 14. LAMP VOLTAGE: 1.8V



G	23610	update +/- Terminals	10/8/18	MW
F	23364	UPDATED RATING TO 2A 48VDC	5/14/18	MJR
E	22887	UPDATED RATING TO 1A 24VDC	6/19/17	MJR
REV	PCR NO	DESCRIPTION	DATE	BY



TITLE PV3H2H0NN-311

SCALE	DATE	DR	DWG	REV
3:2	1/27/2012	BMA	52-PV3H2H0NN311	G