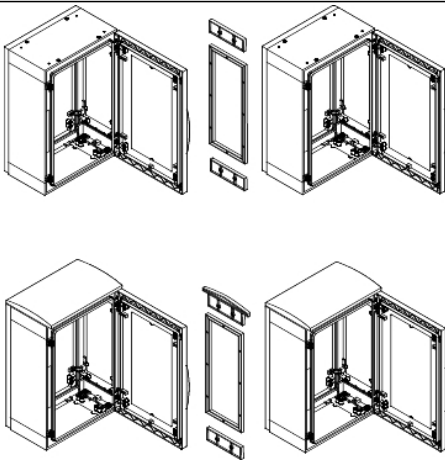


Product data sheet

Characteristics

NSYMUPLA73G

Horizontal coupling kit for PLA enclosure
H750xD320 mm - 15 mm - IP55 coupling



Main

Range	Thalassa
Accessory / separate part category	Coupling accessory
Product or Component Type	Coupling frame
Anwendung	Multi-purpose
Mounting Location	Side coupling of 2 enclosures
Mounting support	ZA plinth
Range compatibility	Thalassa PLA suitable enclosure
Device composition	1 frame Fixing elements

Complementary

Material	Frame polyester
Height	Nominal 29.53 in (750 mm)
Width	Frame 0.59 in (15 mm)
Depth	12.60 in (320 mm)
IP degree of protection	IP55
Color	Gray RAL 7035)

Ordering and shipping details

Category	80034-ENCLOSURE SYSTEMS WALL MOUNT METAL
Discount Schedule	ES1
GTIN	3606480774140
Nbr. of units in pkg.	1
Package weight(Lbs)	22.05 oz (625.0 g)
Returnability	No
Country of origin	ES

Packing Units

Unit Type of Package 1	PCE
Package 1 Height	0.87 in (2.2 cm)
Package 1 width	23.70 in (60.2 cm)
Package 1 Length	9.49 in (24.1 cm)

Offer Sustainability

Sustainable offer status	Green Premium product
REACH Regulation	REACH Declaration
EU RoHS Directive	Pro-active compliance (Product out of EU RoHS legal scope) EU RoHS Declaration
Mercury free	Yes
RoHS exemption information	Yes
China RoHS Regulation	China RoHS Declaration
Environmental Disclosure	Product Environmental Profile