

Light is OSRAM

15.10.2020

OS-IN-2020-030

Update of solder pad drawing for OBF-S family

Objective	Update of solder pad drawing of OBF-S family
Products affected	KW HJL531.TE, KW HKL531.TE, KW HLL531.TE and KW2 HIL531.TE
Background	Updated solder pad design to improve and stabilize the soldering process
Realization	Following drawings are updated: → optimized solder mask design Please refer to 2_CIP_OS-IN-2020-030 for details
Time Schedule	Updated datasheets are available.
Assessment	No change in fit, form, function and reliability.

Please direct your inquiry to your local Sales office.

OSRAM Opto Semiconductors
GmbH

Head Office:

Leibnizstrasse 4
93055 Regensburg, Germany
Phone +49 941 850-5
Fax +49 941 850-1002
www.osram-os.com



OS-IN-2020-030

Update of solder pad drawing of OBF-S family

Customer information package

OS QM CQM A | 15.10.2020

Light is OSRAM

Up-dated solder pad drawings

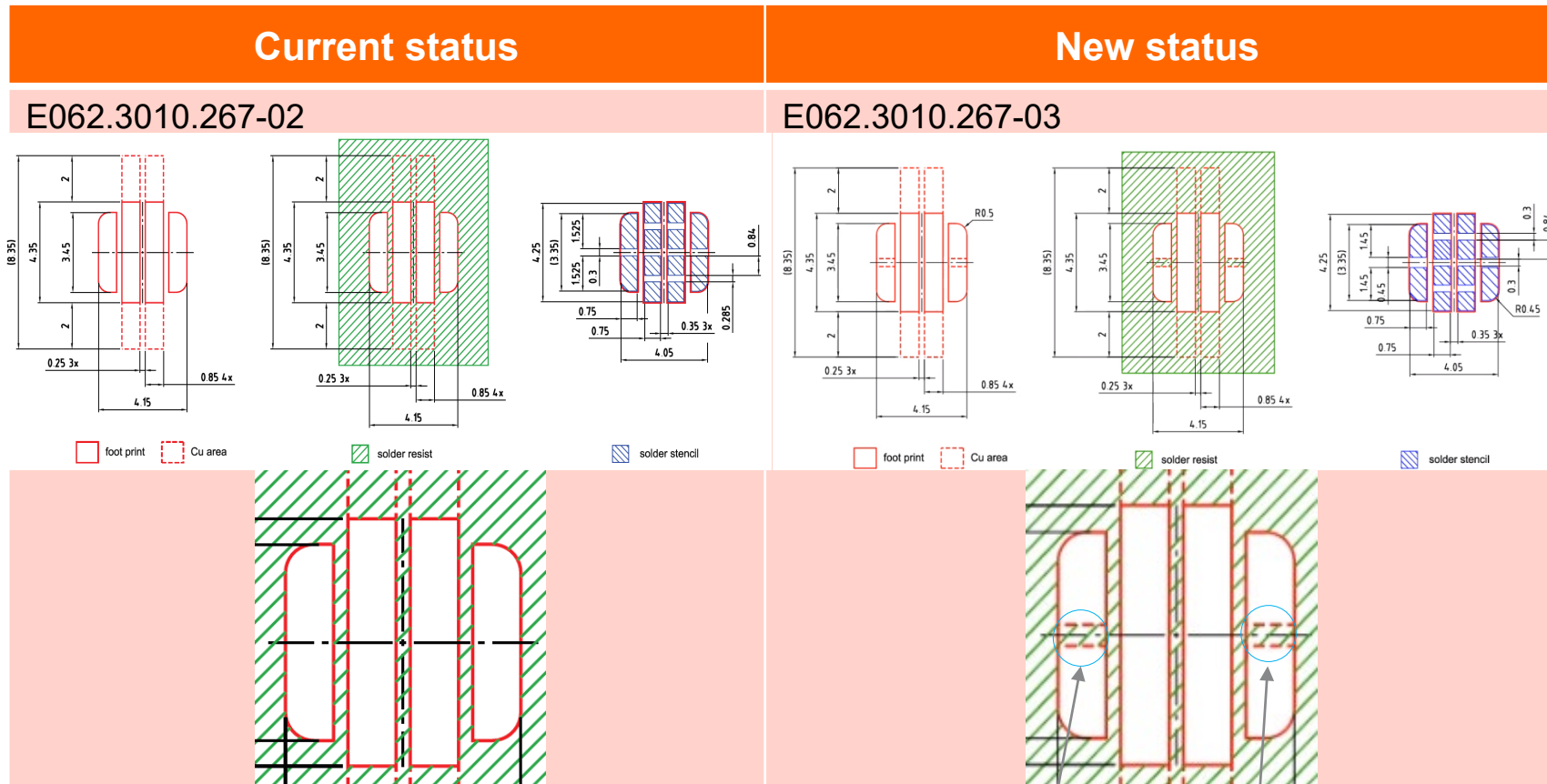
Sub brand	Type	Solder pad drawing # current
OSLON Black Flat S 2-Chip	KW2 HIL532.TK	E062.3010.267-02
OSLON Black Flat S 3-Chip	KW HJL531.TE	E062.3010.203-02
OSLON Black Flat S 4-Chip	KW HKL531.TE	E062.3010.215-01
OSLON Black Flat S 5-Chip	KW HLL531.TE	E062.3010.214-02

For additional information regarding the most important changes please refer to the next pages

Note: Latest version of data sheet is accessible on OSRAM OS homepage

Description of changes KW2 HIL532.TK

Additional solder resist bar in two outer solder pads



Note: solder pad drawing in the datasheet have been updated.

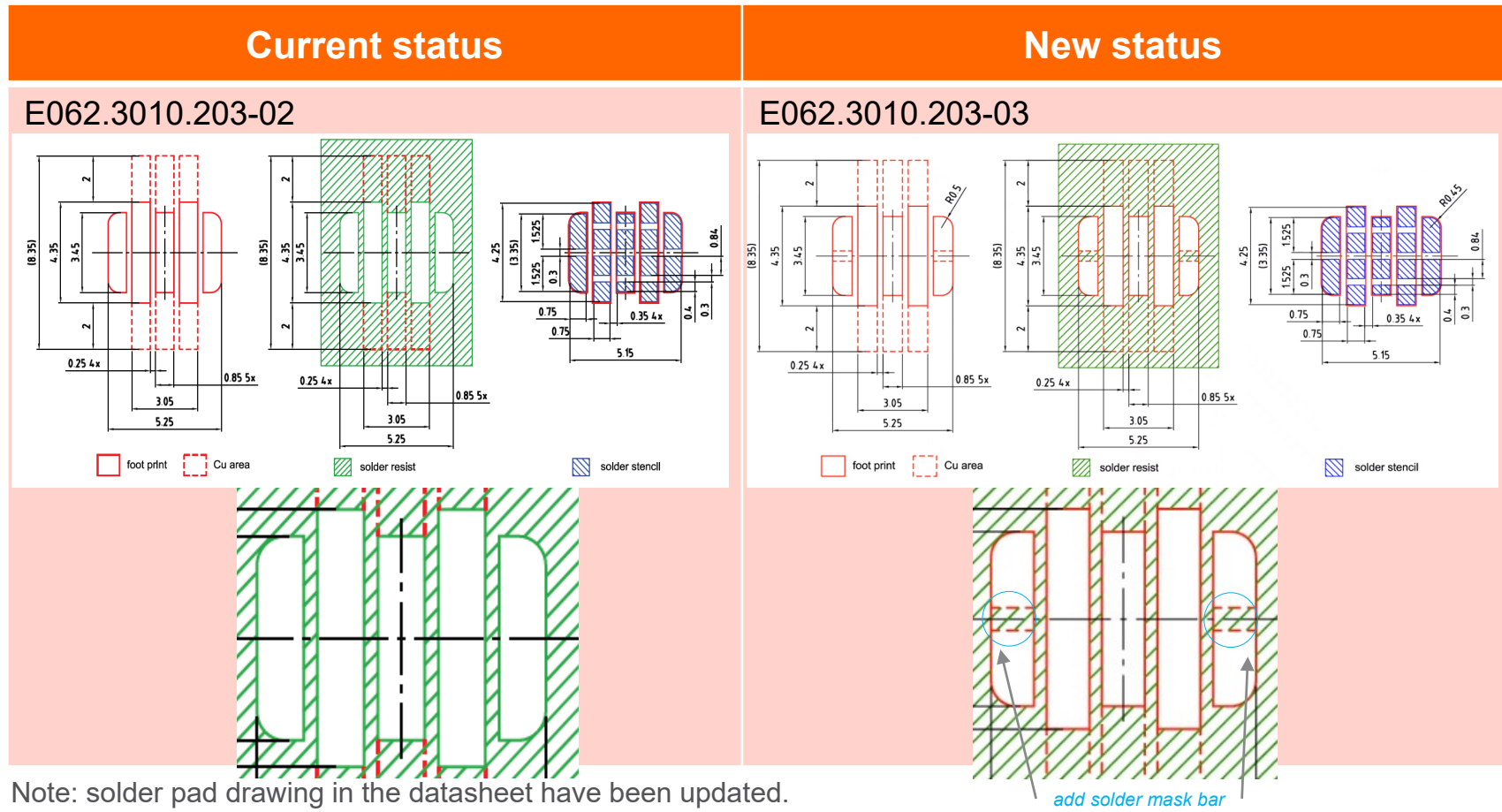
OS-IN-2020-030

Update of solder pad drawing of OBF-S family



Description of changes KW HJL531.TE

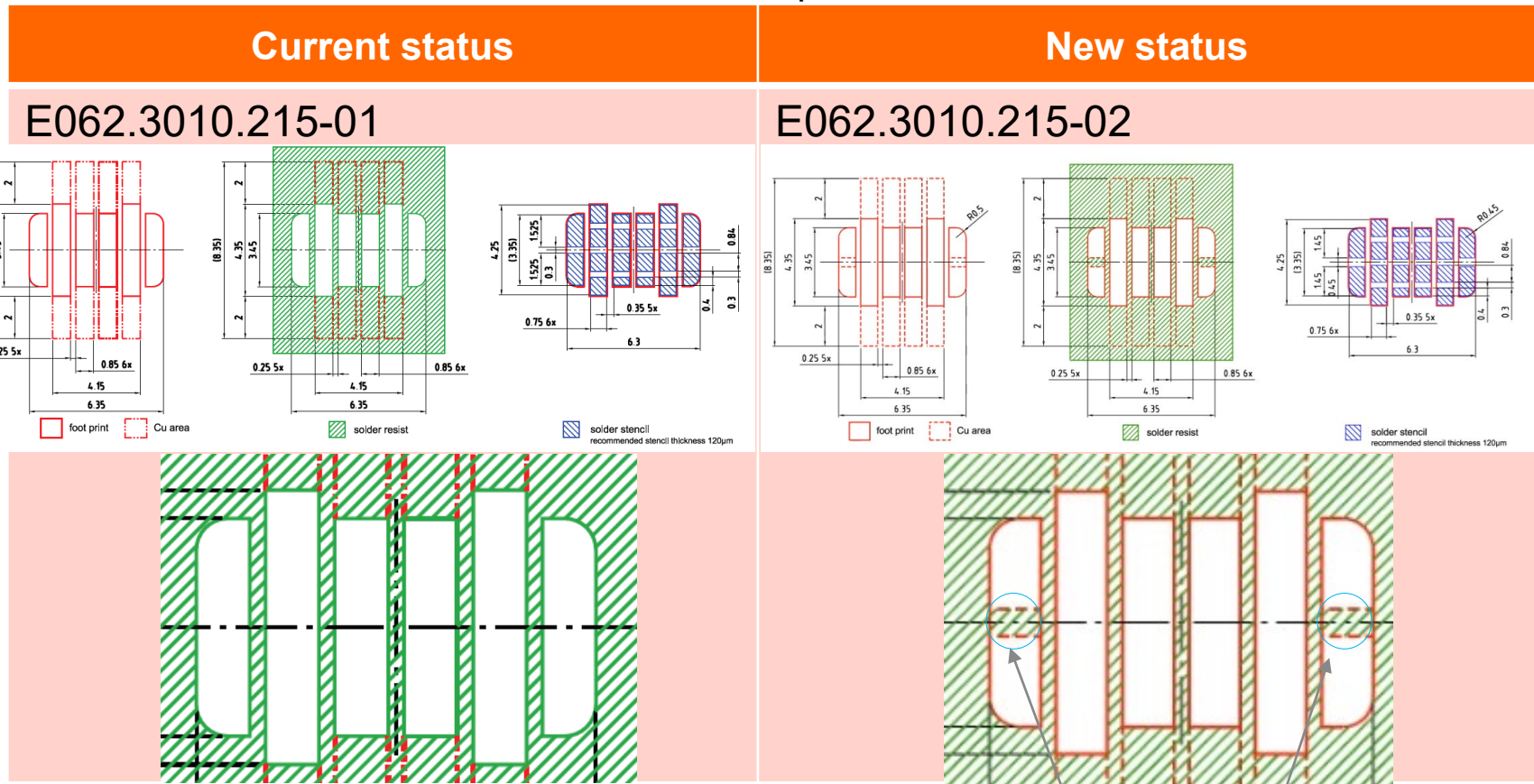
Additional solder resist bar in two outer solder pads



Note: solder pad drawing in the datasheet have been updated.

Description of changes KW HKL531.TE

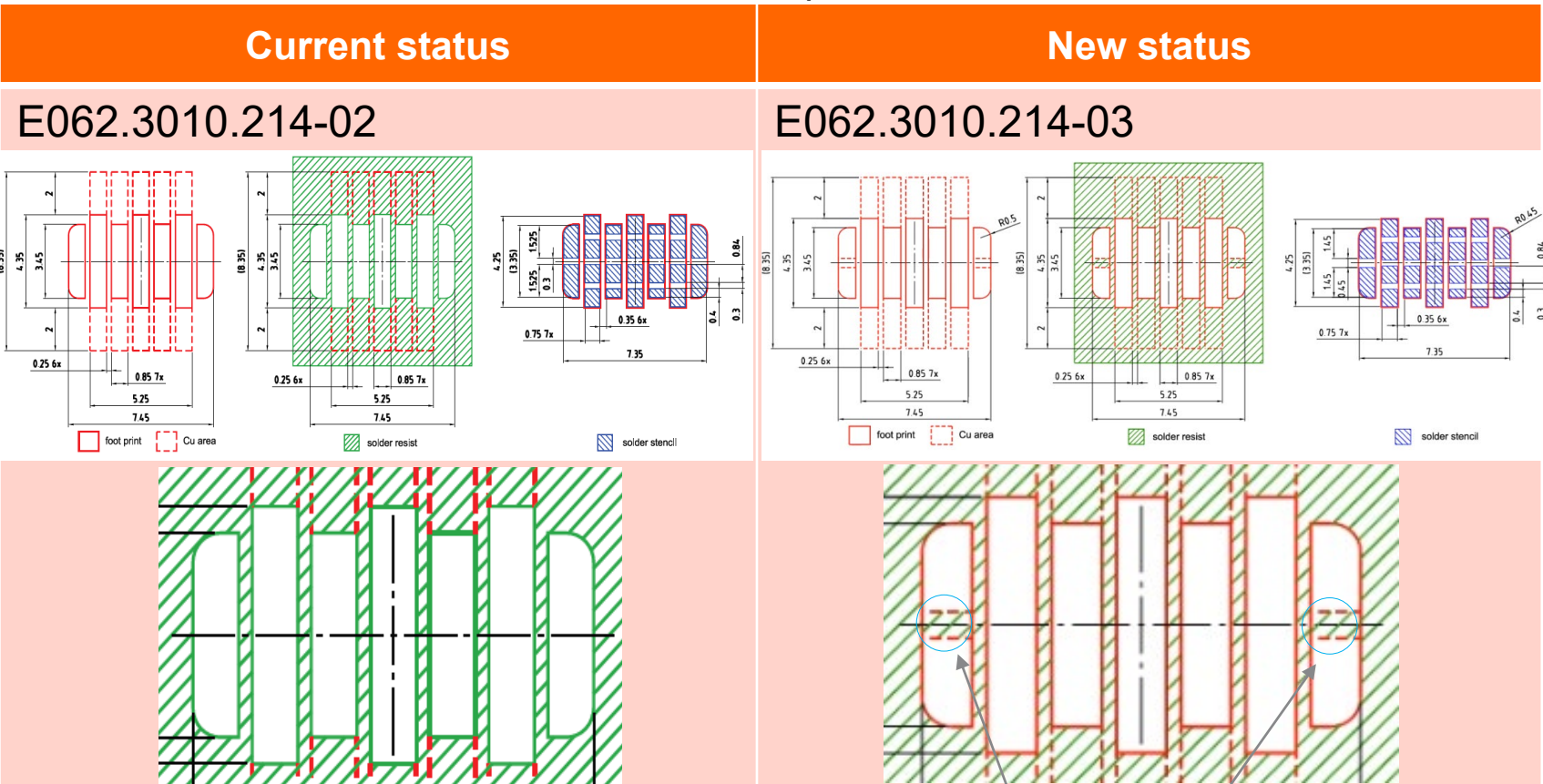
Additional solder resist bar in two outer solder pads



Note: solder pad drawing in the datasheet have been updated.

Description of changes KW HLL531.TE

Additional solder resist bar in two outer solder pads



Note: solder pad drawing in the datasheet have been updated.

QUALITY
FIRST

Thank you.