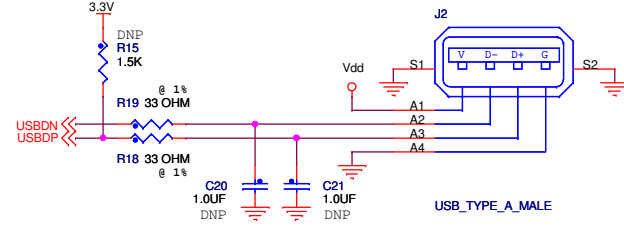
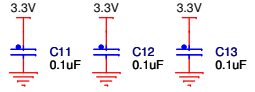
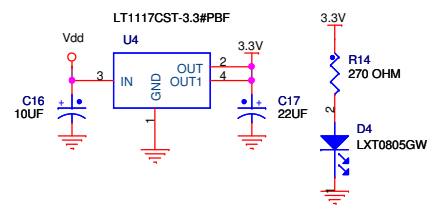
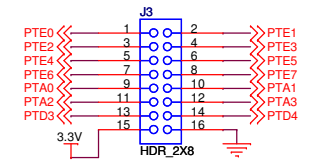
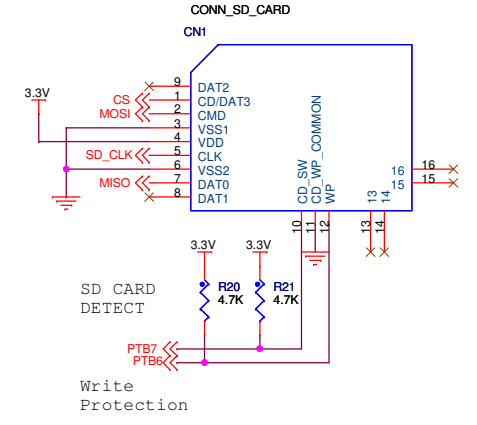


3.3V Reference Capacitors



SD CARD SOCKET



Drawing Title: DemoFlexisJMSD		
Page Title: 03-CPU/SD/USB/HEADER		
Size B	Document Number PDF: SPF-24512 SOURCE: SCH-24512	Rev A
Date: Monday, February 18, 2008	Sheet 3 of 3	