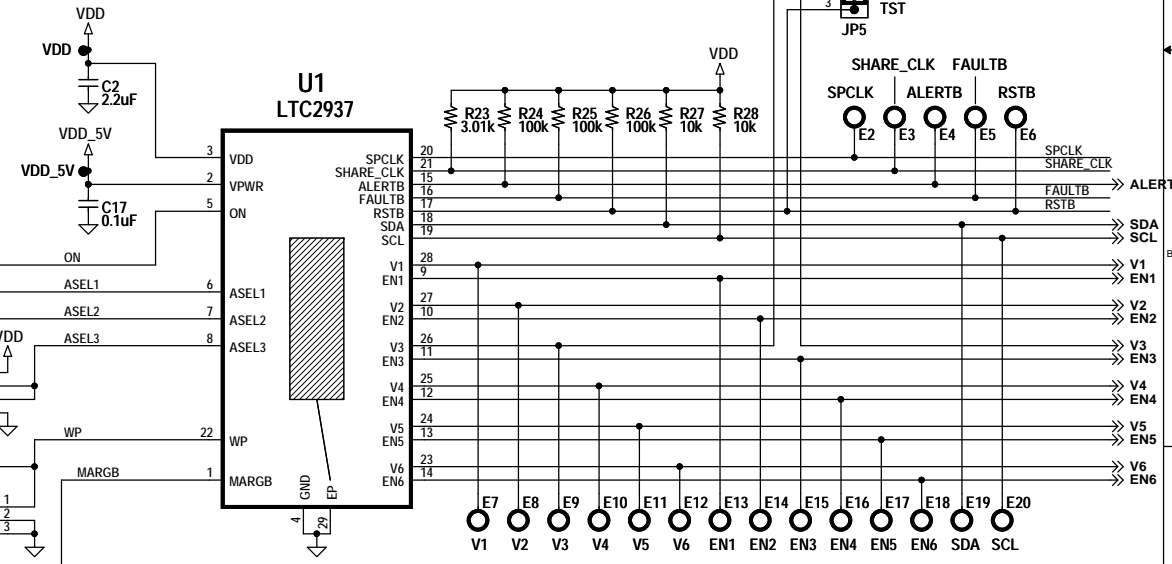
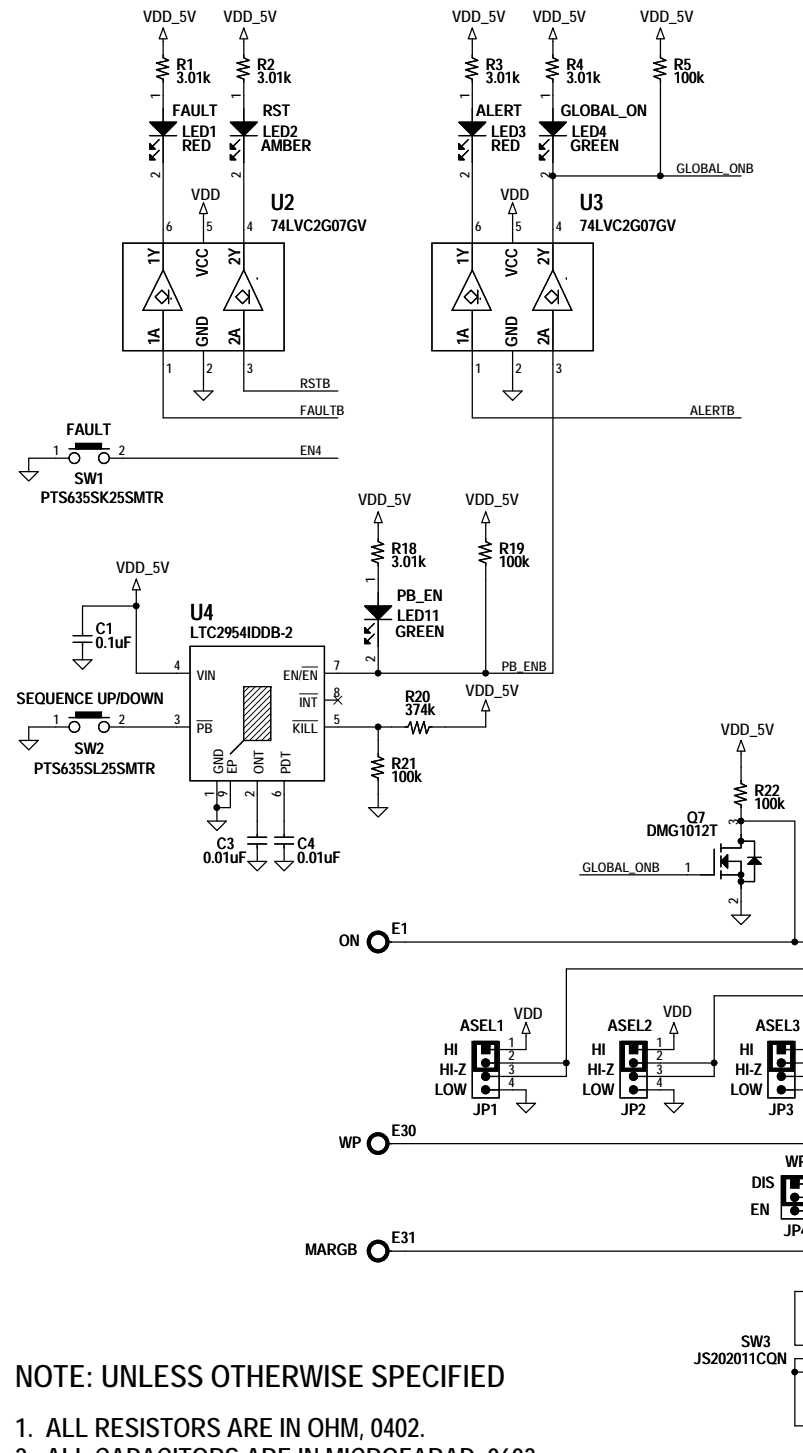
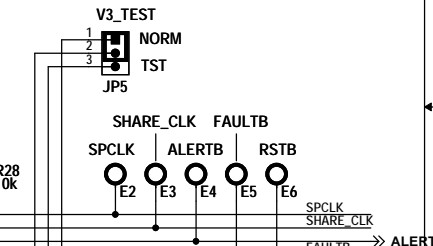
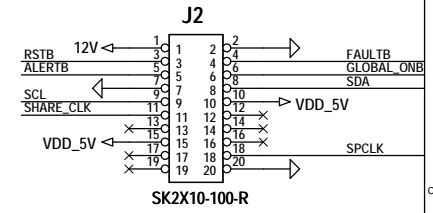
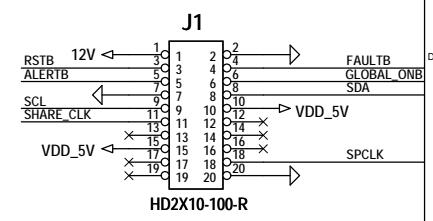
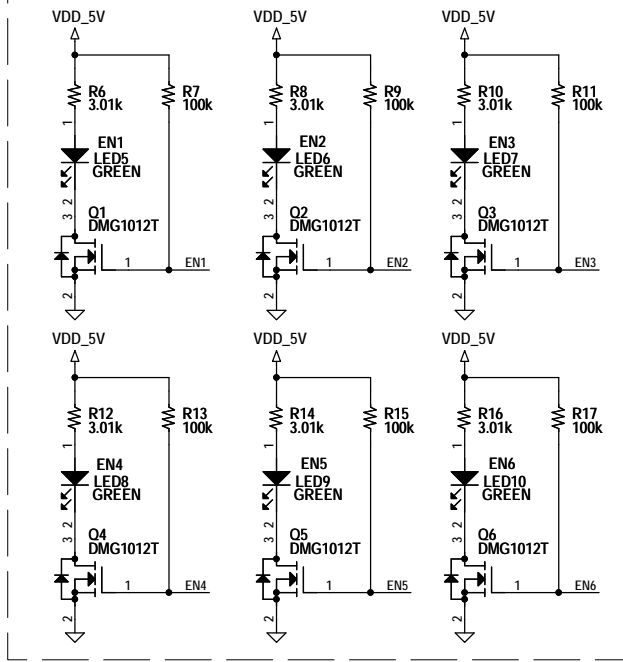


| REVISION HISTORY |     |               |           |          |
|------------------|-----|---------------|-----------|----------|
| ECO              | REV | DESCRIPTION   | APPROVED  | DATE     |
| -                | 3   | 3RD PROTOTYPE | NATHAN E. | 01-19-15 |

### ENABLE INDICATORS



NOTE: UNLESS OTHERWISE SPECIFIED

1. ALL RESISTORS ARE IN OHM, 0402.
2. ALL CAPACITORS ARE IN MICROFARAD, 0603.

### CUSTOMER NOTICE

LINEAR TECHNOLOGY HAS MADE A BEST EFFORT TO DESIGN A CIRCUIT THAT MEETS CUSTOMER-SUPPLIED SPECIFICATIONS; HOWEVER, IT REMAINS THE CUSTOMER'S RESPONSIBILITY TO VERIFY PROPER AND RELIABLE OPERATION IN THE ACTUAL APPLICATION. COMPONENT SUBSTITUTION AND PRINTED CIRCUIT BOARD LAYOUT MAY SIGNIFICANTLY AFFECT CIRCUIT PERFORMANCE OR RELIABILITY. CONTACT LINEAR TECHNOLOGY APPLICATIONS ENGINEERING FOR ASSISTANCE.

### APPROVALS

|          |           |
|----------|-----------|
| PCB DES. | KIM T.    |
| APP ENG. | NATHAN E. |

1630 McCarthy Blvd.  
Milpitas, CA 95035  
Phone: (408)432-1900 www.linear.com  
Fax: (408)434-0507  
LTC Confidential-For Customer Use Only

**LINEAR TECHNOLOGY**

TITLE: SCHEMATIC  
**PROGRAMMABLE HEX VOLTAGE SUPERVISOR  
AND SEQUENCER WITH EEPROM**

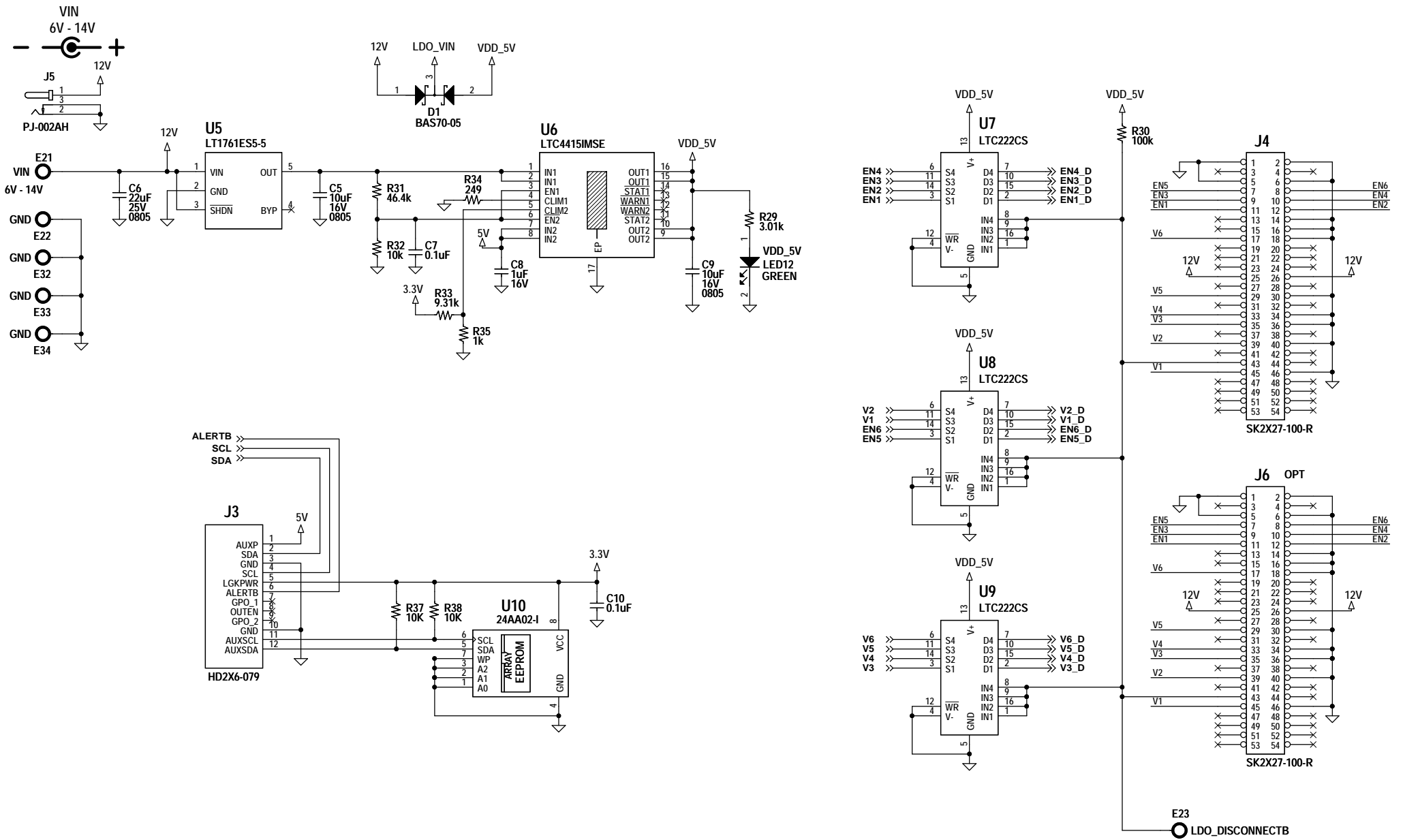
|             |   |           |
|-------------|---|-----------|
| SIZE<br>N/A | IC NO.<br><b>LTC2937IUHE<br/>DEMO CIRCUIT 2313A</b> | REV.<br>3 |
|-------------|---|-----------|


THIS CIRCUIT IS PROPRIETARY TO LINEAR TECHNOLOGY AND SUPPLIED FOR USE WITH LINEAR TECHNOLOGY PARTS.

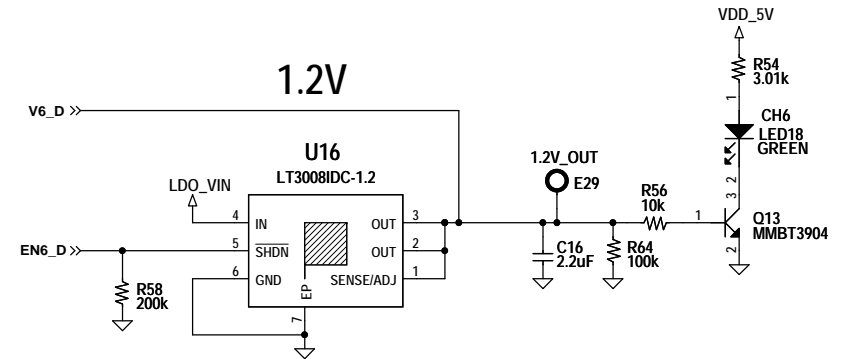
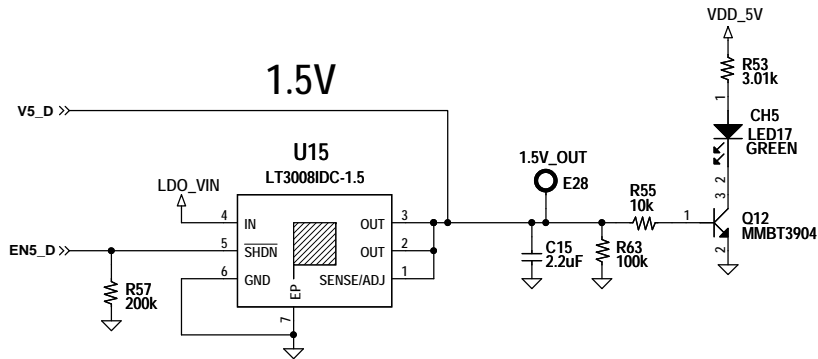
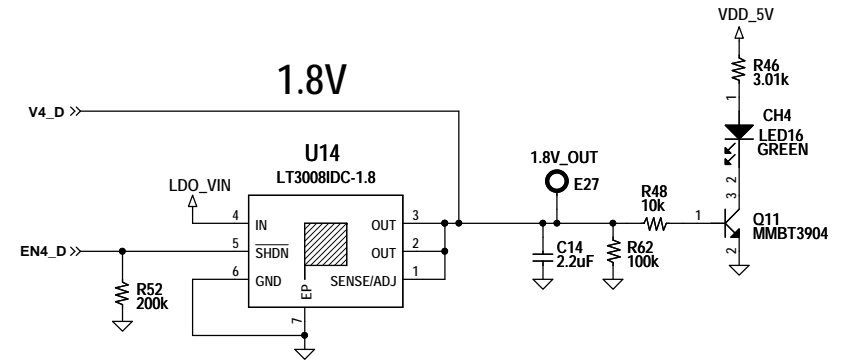
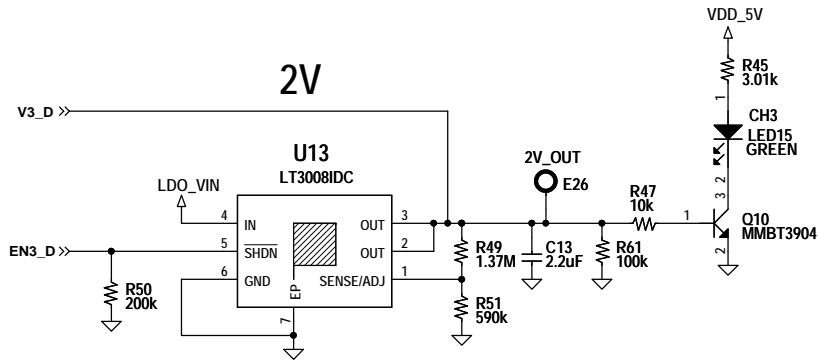
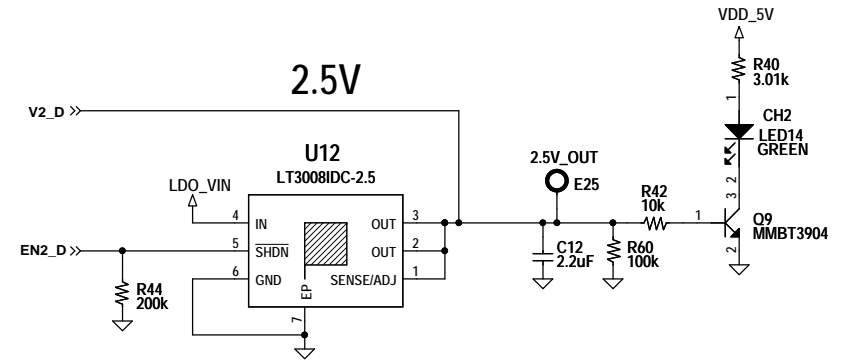
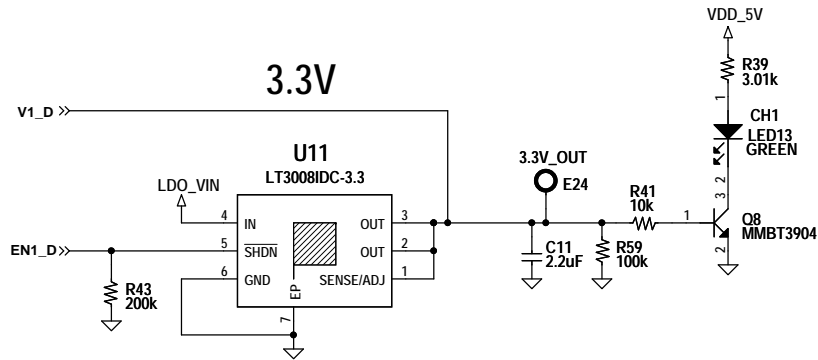
SCALE = NONE


DATE: Monday, January 19, 2015

SHEET 1 OF 3



|  |  |   |  |  |  |
|--|--|---|--|--|--|
| <b>CUSTOMER NOTICE</b>   |  | <b>APPROVALS</b>  |  |  <b>LINEAR TECHNOLOGY</b><br>1630 McCarthy Blvd.<br>Milpitas, CA 95035<br>Phone: (408)432-1900 www.linear.com<br>Fax: (408)434-0507<br>LTC Confidential-For Customer Use Only |  |
| LINEAR TECHNOLOGY HAS MADE A BEST EFFORT TO DESIGN A CIRCUIT THAT MEETS CUSTOMER-SUPPLIED SPECIFICATIONS; HOWEVER, IT REMAINS THE CUSTOMER'S RESPONSIBILITY TO VERIFY PROPER AND RELIABLE OPERATION IN THE ACTUAL APPLICATION. COMPONENT SUBSTITUTION AND PRINTED CIRCUIT BOARD LAYOUT MAY SIGNIFICANTLY AFFECT CIRCUIT PERFORMANCE OR RELIABILITY. CONTACT LINEAR TECHNOLOGY APPLICATIONS ENGINEERING FOR ASSISTANCE. |  | PCB DES.    KIM T.<br>APP ENG.    SAL A.  |  |  |  |
| THIS CIRCUIT IS PROPRIETARY TO LINEAR TECHNOLOGY AND SUPPLIED FOR USE WITH LINEAR TECHNOLOGY PARTS.  |  | <b>TITLE: SCHEMATIC</b><br><b>PROGRAMMABLE HEX VOLTAGE SUPERVISOR</b><br><b>AND SEQUENCER WITH EEPROM</b> |  | SIZE    IC NO.<br><b>N/A</b> <b>LTC2937IUIHE</b>   |  |
|  |  | SCALE = NONE  |  | <b>DEMO CIRCUIT 2313A</b>  |  |
|  |  | DATE:    Monday, January 19, 2015   |  | REV.    3  |  |
|  |  |   |  | SHEET 2 OF 3   |  |



| CUSTOMER NOTICE  |  | APPROVALS    |        |  <b>LINEAR TECHNOLOGY</b>                                   |              |
|--|--|--------------|--------|--|--------------|
| LINEAR TECHNOLOGY HAS MADE A BEST EFFORT TO DESIGN A CIRCUIT THAT MEETS CUSTOMER-SUPPLIED SPECIFICATIONS; HOWEVER, IT REMAINS THE CUSTOMER'S RESPONSIBILITY TO VERIFY PROPER AND RELIABLE OPERATION IN THE ACTUAL APPLICATION. COMPONENT SUBSTITUTION AND PRINTED CIRCUIT BOARD LAYOUT MAY SIGNIFICANTLY AFFECT CIRCUIT PERFORMANCE OR RELIABILITY. CONTACT LINEAR TECHNOLOGY APPLICATIONS ENGINEERING FOR ASSISTANCE. |  | PCB DES.     | KIM T. | 1630 McCarthy Blvd.<br>Milpitas, CA 95035<br>Phone: (408)432-1900 www.linear.com<br>Fax: (408)434-0507<br>LTC Confidential-For Customer Use Only |              |
|  |  | APP ENG.     | SAL A. | <b>TITLE: SCHEMATIC</b><br><b>PROGRAMMABLE HEX VOLTAGE SUPERVISOR</b><br><b>AND SEQUENCER WITH EEPROM</b>  |              |
|  |  |              |        | SIZE   | IC NO.       |
|  |  |              |        | N/A  | LTC2937IUHE  |
|  |  |              |        |  | REV. 3       |
| THIS CIRCUIT IS PROPRIETARY TO LINEAR TECHNOLOGY AND SUPPLIED FOR USE WITH LINEAR TECHNOLOGY PARTS.  |  | SCALE = NONE |        | DATE: Monday, January 19, 2015   | SHEET 3 OF 3 |