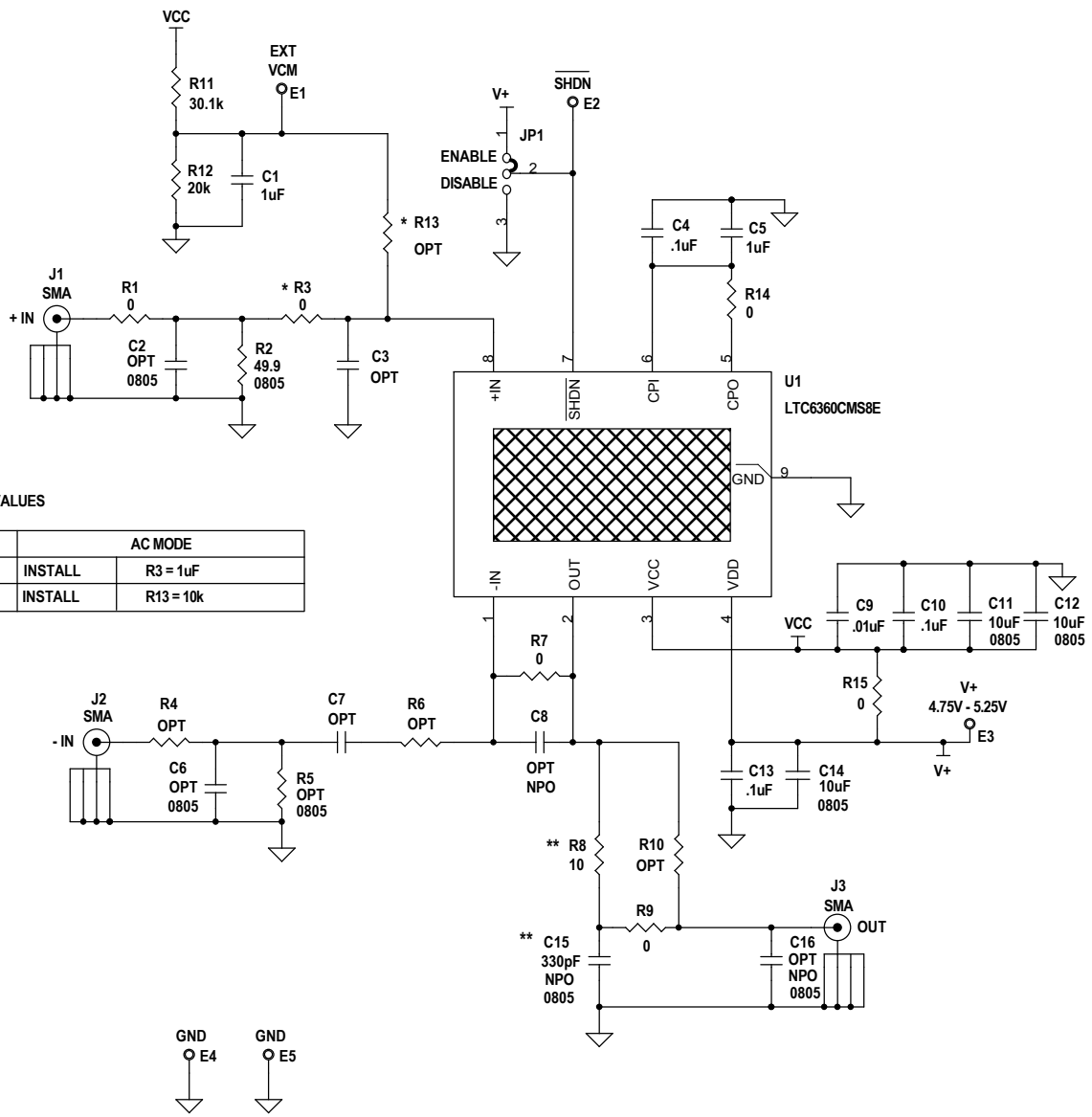


REVISION HISTORY				
ECO	REV	DESCRIPTION	APPROVED	DATE
-	2	PRODUCTION FAB	GLEN B.	03-29-11



* SEE TABLE BELOW FOR ALTERNATE VALUES

DC MODE (SHOWN)		AC MODE	
INSTALL	R3 = 0	INSTALL	R3 = 1uF
NOT INSTALL	R13 = OPEN	INSTALL	R13 = 10k

NOTE: UNLESS OTHERWISE SPECIFIED ALL RESISTORS: OHMS, 0603, 1%, 1/10W

** R8 AND C15 ARE NEEDED FOR STABILITY.

CUSTOMER NOTICE

LINEAR TECHNOLOGY HAS MADE A BEST EFFORT TO DESIGN A CIRCUIT THAT MEETS CUSTOMER-SUPPLIED SPECIFICATIONS; HOWEVER, IT REMAINS THE CUSTOMER'S RESPONSIBILITY TO VERIFY PROPER AND RELIABLE OPERATION IN THE ACTUAL APPLICATION. COMPONENT SUBSTITUTION AND PRINTED CIRCUIT BOARD LAYOUT MAY SIGNIFICANTLY AFFECT CIRCUIT PERFORMANCE OR RELIABILITY. CONTACT LINEAR TECHNOLOGY APPLICATIONS ENGINEERING FOR ASSISTANCE.

THIS CIRCUIT IS PROPRIETARY TO LINEAR TECHNOLOGY AND SUPPLIED FOR USE WITH LINEAR TECHNOLOGY PARTS.

APPROVALS

PCB DES. NC

APP ENG. GLEN B.

SCALE = NONE



1630 McCarthy Blvd.
Milpitas, CA 95035
Phone: (408)432-1900 www.linear.com
Fax: (408)434-0507
LTC Confidential-For Customer Use Only

TITLE: SCHEMATIC

LOW NOISE ADC DRIVER W / TRUE ZERO OUTPUT

SIZE N/A	IC NO. LTC6360CMS8E DEMO CIRCUIT 1639A	REV. 2
DATE: 03-29-11	SHEET 1 OF 1	