

CHARACTERISTICS

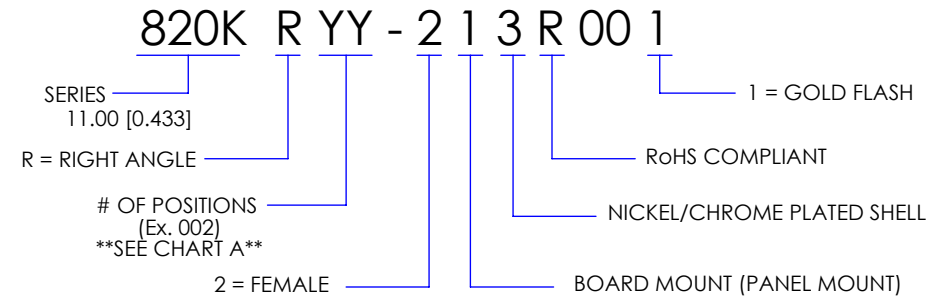
MATERIALS

SHELL : BRASS  
 SHELL PLATING : NICKEL  
 NUT : BRASS  
 NUT PLATING : NICKEL  
 LATCH SLEEVE : BRASS  
 LATCH SLEEVE PLATING : NICKEL  
 CONTACTS : COPPER ALLOY  
 CONTACT PLATING : 7µ" GOLD PLATED OVER 196µ" NICKEL MIN.  
 INSULATOR : PPS (HIGH TEMPERATURE)

MECHANICAL

DURABILITY: 5000 CYCLES  
 OPERATING TEMP. RANGE: -40° C ~ +200° C  
 PROCESS TEMPERATURE : 260°C FOR 5 SECONDS  
 MAX. TORQUE VALUE : 5.0 Nm [44.0 IN/lbs]  
 SHIELDING: 75dB @ 10MHz  
 40dB @ 1GHz

IP RATING: 67



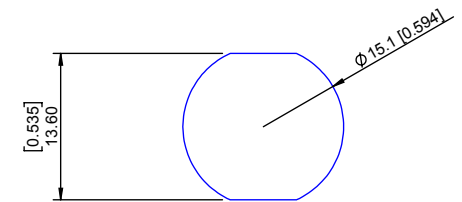
**\*\*NOTE\*\***  
 SEE PAGE 2 FOR BOARD LAYOUTS

CHART A

● = KEY LOCATION

\*\*VIEW FROM TERMINATION END\*\*

 2 POSITION 6 AMP MAX. PIN Ø = 0.90 [0.035]	 3 POSITION 6 AMP MAX. PIN Ø = 0.90 [0.035]	 4 POSITION 6 AMP MAX. PIN Ø = 0.70 [0.028]	 5 POSITION 6 AMP MAX. PIN Ø = 0.70 [0.028]	 6 POSITION 2.5 AMP MAX. PIN Ø = 0.50 [0.020]	 7 POSITION 2.5 AMP MAX. PIN Ø = 0.50 [0.020]	 9 POSITION 2 AMP MAX. PIN Ø = 0.50 [0.020]
CONTACT RESISTANCE = 6 mΩ TEST VOLTAGE = 1000V WORKING VOLTAGE = 330V	CONTACT RESISTANCE = 6 mΩ TEST VOLTAGE = 1200V WORKING VOLTAGE = 400V	CONTACT RESISTANCE = 7.5 mΩ TEST VOLTAGE = 850V WORKING VOLTAGE = 280V	CONTACT RESISTANCE = 7.5 mΩ TEST VOLTAGE = 850V WORKING VOLTAGE = 280V	CONTACT RESISTANCE = 10 mΩ TEST VOLTAGE = 850V WORKING VOLTAGE = 280V	CONTACT RESISTANCE = 10 mΩ TEST VOLTAGE = 800V WORKING VOLTAGE = 260V	CONTACT RESISTANCE = 10 mΩ TEST VOLTAGE = 600V WORKING VOLTAGE = 200V



**PANEL CUTOUT**

TOLERANCE = +0.10, -0.0  
 [+0.004, -0.00]

**RoHS COMPLIANT**



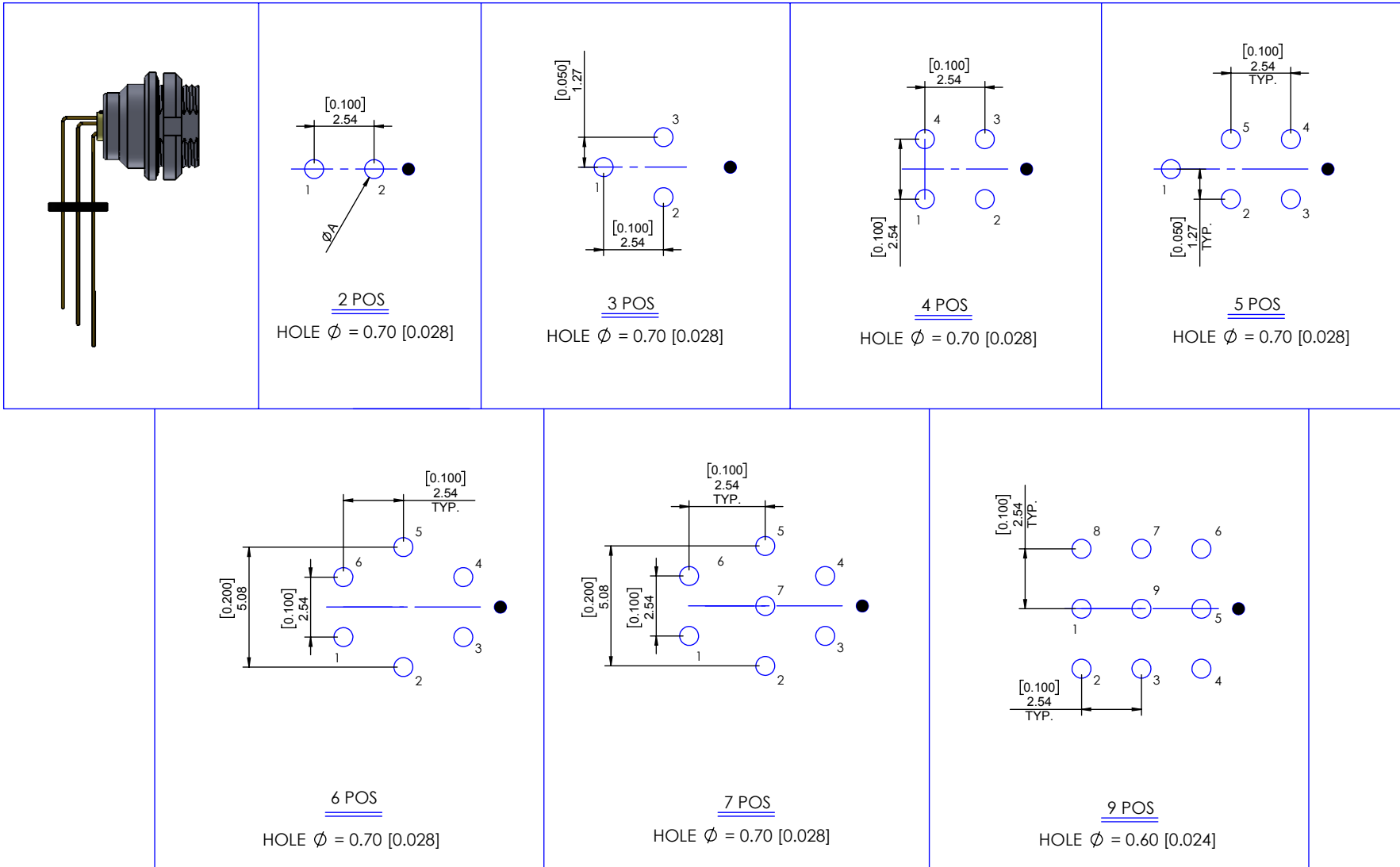
THESE DRAWINGS AND SPECIFICATIONS ARE THE PROPERTY OF NorComp AND SHALL NOT BE REPRODUCED, COPIED OR USED AS THE BASIS FOR THE MANUFACTURE OR SALE OF APPARATUS WITHOUT WRITTEN PERMISSION.

**NorComp**

DRAWN: M. SIGMON	DATE: 02-6-16	SCALE: N.T.S.	SHEET 1	OF 2	REV: 2
			DWG NO. 820KRY-213R001		

# BOARD LAYOUTS

● = KEY LOCATION



**RoHS COMPLIANT**



THESE DRAWINGS AND SPECIFICATIONS ARE THE PROPERTY OF NorComp AND SHALL NOT BE REPRODUCED, COPIED OR USED AS THE BASIS FOR THE MANUFACTURE OR SALE OF APPARATUS WITHOUT WRITTEN PERMISSION.

# NorComp

DRAWN: M. SIGMON

DATE: 02-26-16

SCALE: N.T.S.

SHEET 2 OF 2

REV: 2

DWG NO. 820KRY-213R001