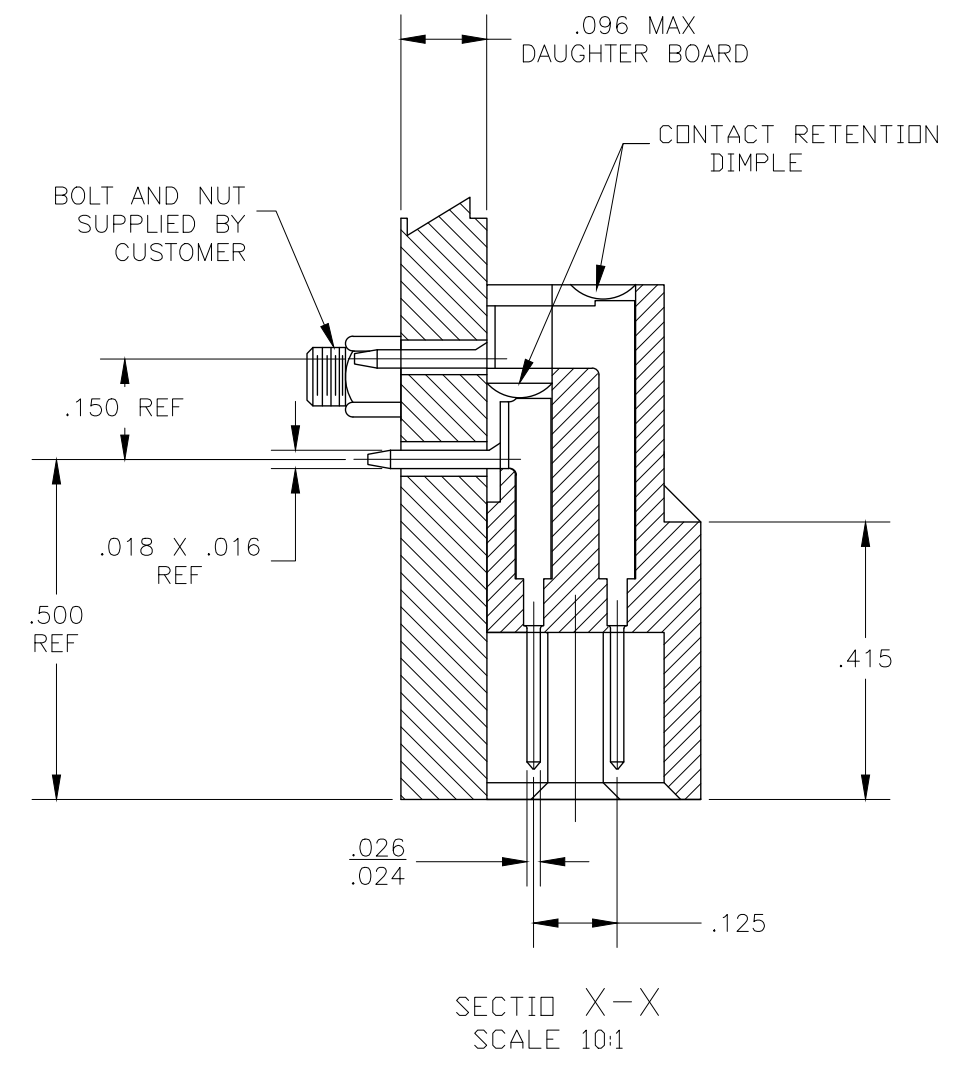
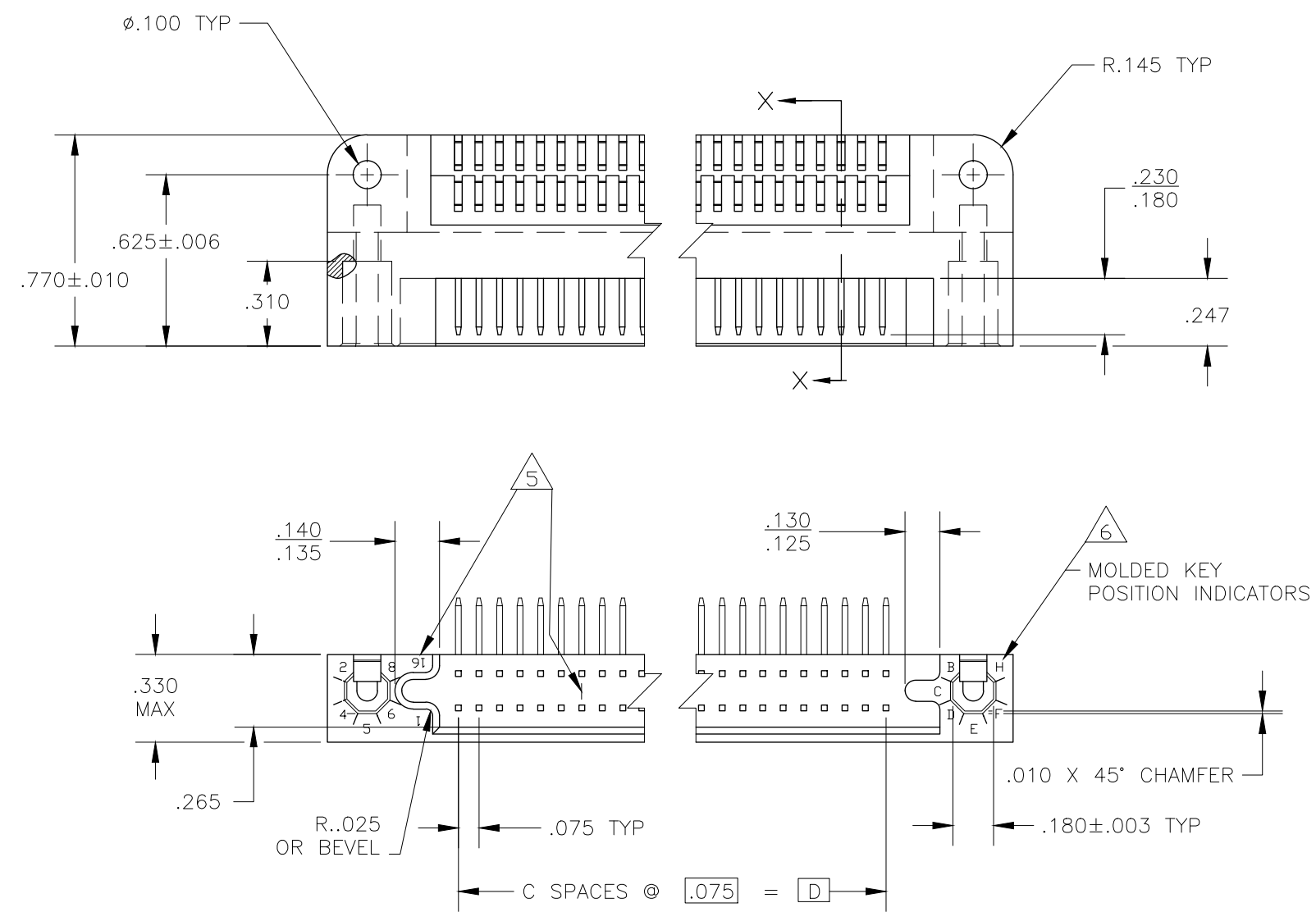
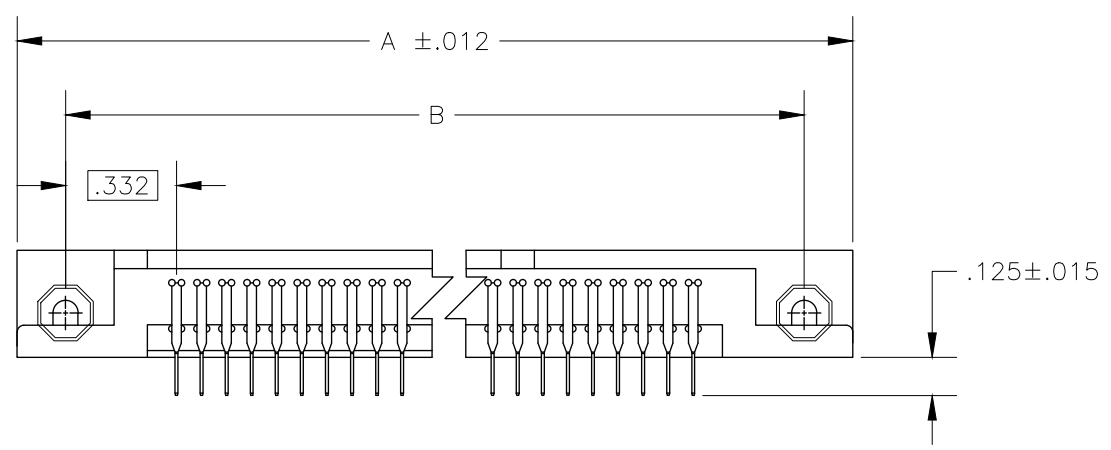


THIS DRAWING IS UNPUBLISHED. RELEASED FOR PUBLICATION
 © COPYRIGHT - By - ALL RIGHTS RESERVED.

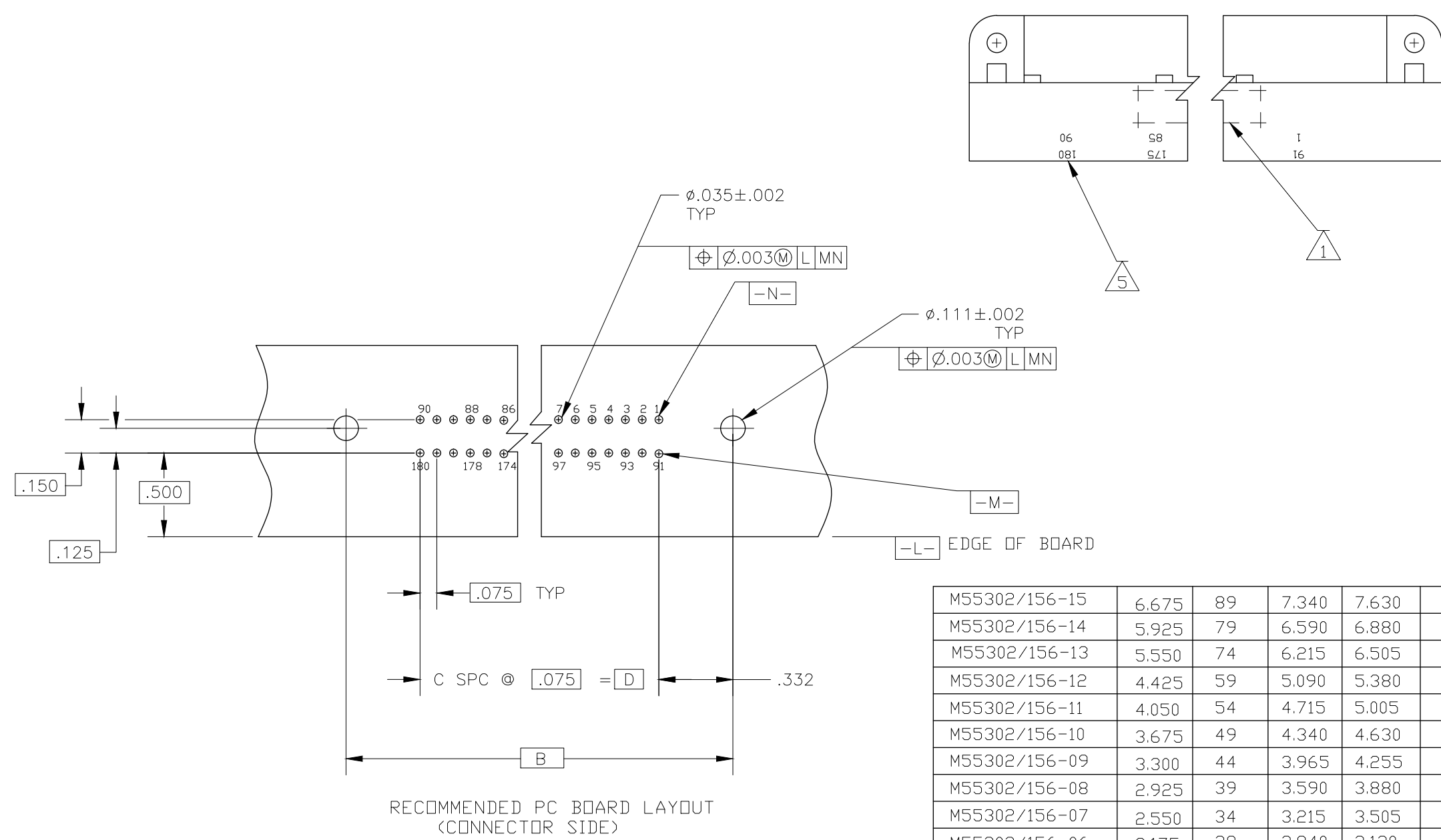
LOC		DIST		REVISIONS			
P	LTR	DESCRIPTION		DATE	DWN	APVD	
DF	X5	D	REVISED PER ECO-15-007393	08JUN15	MGM	CCT	



THIS DRAWING IS A CONTROLLED DOCUMENT.		DWN MANJUNATH G M 08JUN2015	TE TE Connectivity
DIMENSIONS: INCHES		CHK C.C. THOMAS 08JUN2015	
TOLERANCES UNLESS OTHERWISE SPECIFIED:		APVD C.C. THOMAS 08JUN2015	NAME PIN ASSEMBLY, RIGHT ANGLE, 751 SERIES, BOX CONNECTOR
0 PLC ± - 1 PLC ± - 2 PLC ± - 3 PLC ± - 4 PLC ± - ANGLES ± -		PRODUCT SPEC APPLICATION SPEC	SIZE A2
MATERIAL 2/3		FINISH 3	CAGE CODE 00779
		WEIGHT -	DRAWING NO C=531719
		CUSTOMER DRAWING	
		SCALE 4:1	SHEET 1 OF 2
		REV D	

THIS DRAWING IS UNPUBLISHED. RELEASED FOR PUBLICATION
 © COPYRIGHT - By - ALL RIGHTS RESERVED.

LOC	DIST	REVISIONS					
DF	X5	P	LTR	DESCRIPTION	DATE	DWN	APVD
		-	-	SEE SHEET 1	-	-	-



M55302/156-15	6.675	89	7.340	7.630	180	1-531719-5
M55302/156-14	5.925	79	6.590	6.880	160	1-531719-4
M55302/156-13	5.550	74	6.215	6.505	150	1-531719-3
M55302/156-12	4.425	59	5.090	5.380	120	1-531719-2
M55302/156-11	4.050	54	4.715	5.005	110	1-531719-1
M55302/156-10	3.675	49	4.340	4.630	100	1-531719-0
M55302/156-09	3.300	44	3.965	4.255	90	531719-9
M55302/156-08	2.925	39	3.590	3.880	80	531719-8
M55302/156-07	2.550	34	3.215	3.505	70	531719-7
M55302/156-06	2.175	29	2.840	3.130	60	531719-6
M55302/156-05	1.800	24	2.465	2.755	50	531719-5
M55302/156-04	1.425	19	2.090	2.380	40	531719-4
M55302/156-03	1.050	14	1.715	2.005	30	531719-3
M55302/156-02	.675	9	1.340	1.630	20	531719-2
M55302/156-01	.300	4	.965	1.225	10	531719-1
MILITARY PART NUMBER	D	C	B	A	NO OF POSITIONS	PART NO

- 1 TE, PART NUMBER, MILITARY P/N, DATE CODE, 00779 MARKED THIS AREA.
- 2 HOUSING MATERIAL: GLASS FILLED POLYESTER, COLOR: BLUE.
- 3 CONTACT MATERIAL- BRASS
FINISH- .000050 GOLD OVER .000050 NICKEL IN CONTACT AREA, TIN-LEAD PLATE OVER NICKEL ON SOLDER SIDE.
- 4 MIL-C-55302 GROUP INSPECTION REQUIRED.
- 5 NUMBERS AND LINES INDICATING EVERY 5 CAVITIES MARKED ON MATING FACE. NUMBERS INDICATING EVERY 5 CAVITIES MARKED ON SIDE.
- 6 KEY POSITION IDENTIFICATION MOLDED ON SURFACE SHOWN.

THIS DRAWING IS A CONTROLLED DOCUMENT.

DWN MANJUNATH G M 08JUN2015	TE Connectivity PIN ASSEMBLY, RIGHT ANGLE, 751 SERIES, BOX CONNECTOR				
CHK C.C. THOMAS 08JUN2015					
APVD C.C. THOMAS 08JUN2015					
PRODUCT SPEC					
APPLICATION SPEC	NAME				
MATERIAL	WEIGHT	SIZE A2	CAGE CODE 00779	DRAWING NO C=531719	RESTRICTED TO
DIMENSIONS: INCHES	TOLERANCES UNLESS OTHERWISE SPECIFIED:	CUSTOMER DRAWING			
0 PLC ± -	1 PLC ± -	SCALE 4:1	SHEET 2 OF 2	REV D	
2 PLC ± -	3 PLC ± -				
4 PLC ± -	ANGLES ± -				