

**Ratings**

Voltage: 600 V  
 Temperature: -40~105 °C  
 Flammability: FT2

**Conductor**

Conductor count: 10  
 Gauge: 18 AWG 0.82 mm<sup>2</sup>  
 Material: tinned copper strands  
 Strand size:  $\phi 0.16 \times 41$   
 Resistance at 20 °C: 23.2  $\Omega$  /km max

**Insulator**

Material: mPPE  
 Color: red, black, white, yellow, blue, green, orange, purple, gray, brown  
 Diameter:  $\phi 1.8 \pm 0.10$  mm  
 Average thickness: 0.29 mm  
 Minimum thickness: 0.23 mm  
 Resistance at 20 °C: 100 M $\Omega$  /km min

**Shield**

Type: foil  
 Material: aluminum mylar  
 Coverage: 100%

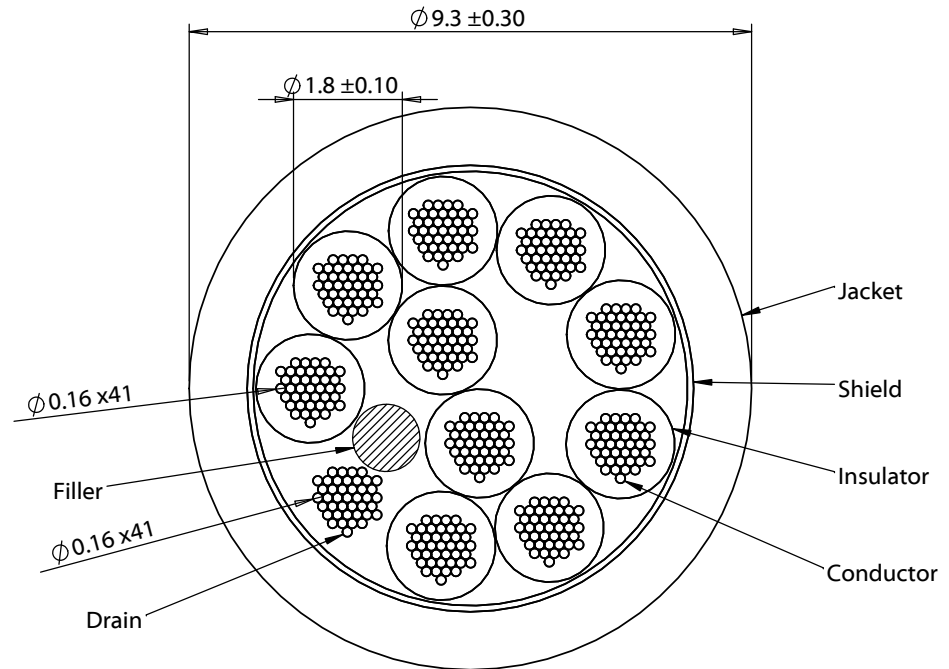
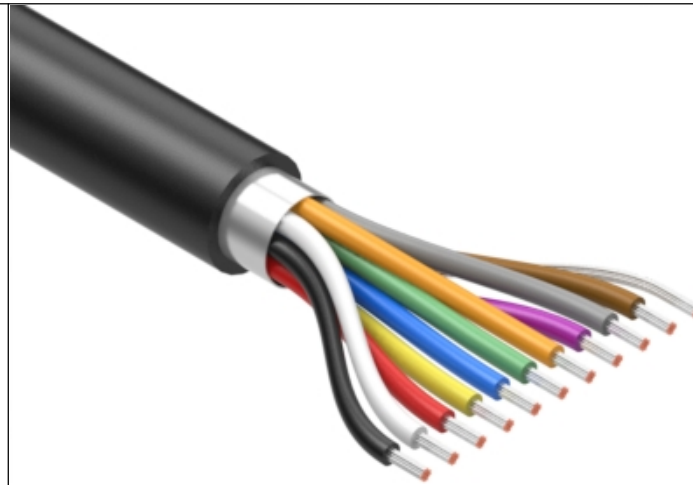
**Outer jacket**

Material: mPPE, 85A  
 Color: black  
 Diameter:  $\phi 9.3 \pm 0.30$  mm  
 Average thickness: 1 mm  
 Minimum thickness: 0.7 mm

**Wire marking:** E339579 UL AWM STYLE 21509 18 AWG 105°C 600V --- cUL AWM I A 105°C 600V FT2 TENSILITY

**Bend radius**

Minimum: 6 times diameter (55.8 mm)



Revision:	Date:	Description:	Prepared:	Notes: RoHS compliant Phthalate and halogen free	<h1>TENSILITY</h1> <p>tel 1.541.323.3228 800 877.670.7118                  fax 1.541.323.4202 web tensility.com</p>
A	4/20/2020	Initial release	Verified:		
			Dimensions are in millimeters. Tolerances: X: $\pm 0.5$ mm X.X: $\pm 0.3$ mm X.XX: $\pm 0.05$ mm	Description: Wire, 10C TS, 18 AWG, 21509, 600V, 105C, 9.3 mm, shielded, FT2, mPPE	Size: A Part number: 30-01530
				Scale: 8:1	

5

4

3

2

1