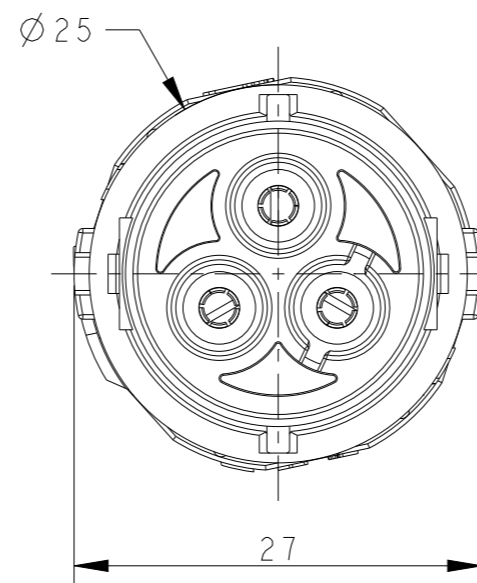
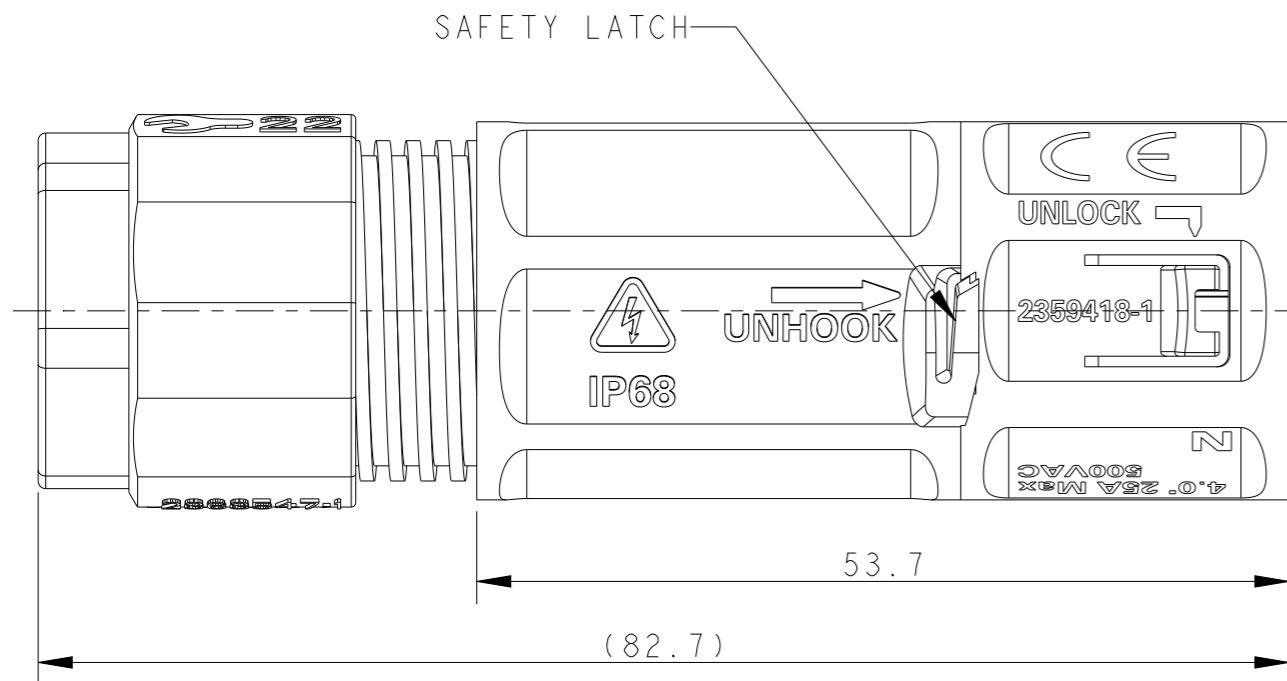


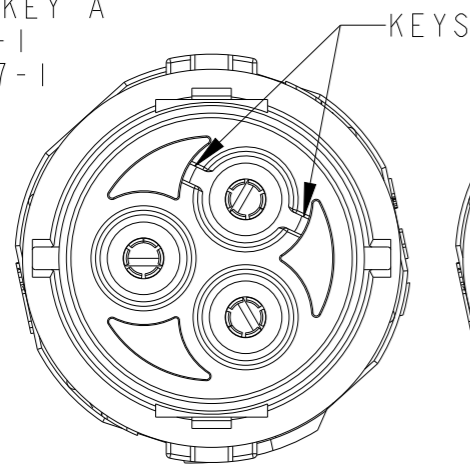
P	LTR	DESCRIPTION	DATE	DWN	APVD
3		DRAWING FORMAT UPDATES	24NOV2020	SM	-
A		PRODUCT UNDER TESTING	24NOV2020	SM	MZ
A1		RELEASED	18MAR2022	SM	ZM
A2		RELEASED	25MAR2022	SM	MZ



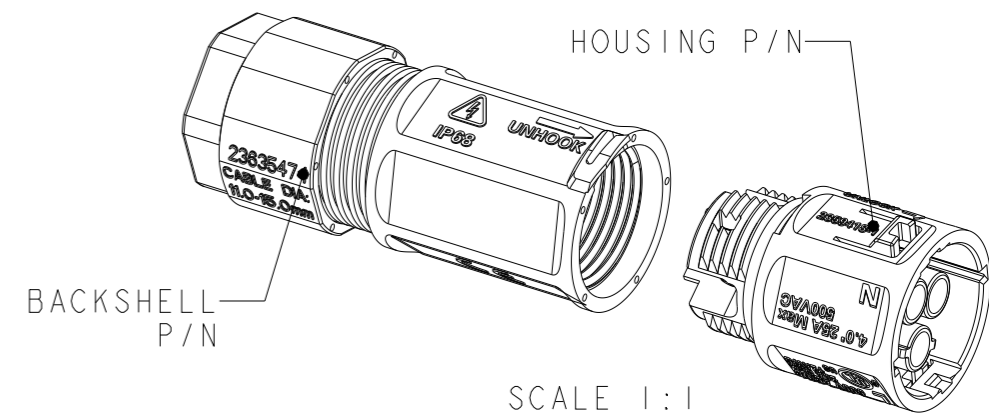
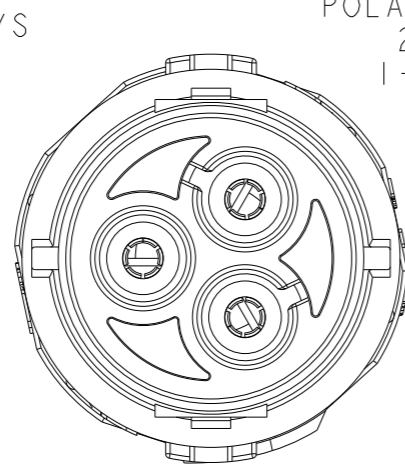
NOTES:

- MATERIALS:
PLASTICS: PBT+PC ALLOY, UL-V0, UV-FI
CONTACTS: COPPER ALLOY, TIN PLATED
- OPERATING RATINGS :
VOLTAGE (max): 600Vac Max
CURRENT (max): 25A ON 4.0mm² & 20A ON 12AWG
TEMPERATURE : -40°C TO 85°C
IP RATING : IP67 & IP68
- FOR ASSEMBLY INSTRUCTIONS, REFER APPLICATION SPECIFICATION 114-133123
- PACKAGING: PPQ 200 pcs IN TRAY

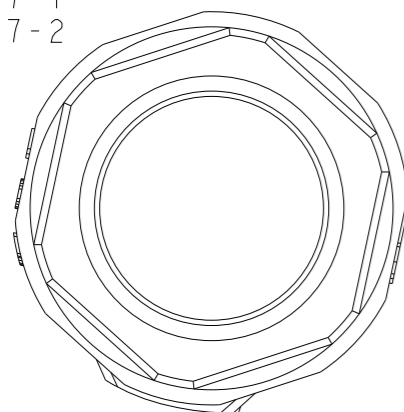
POLARIZING KEY A
2379237-1
1-2379237-1



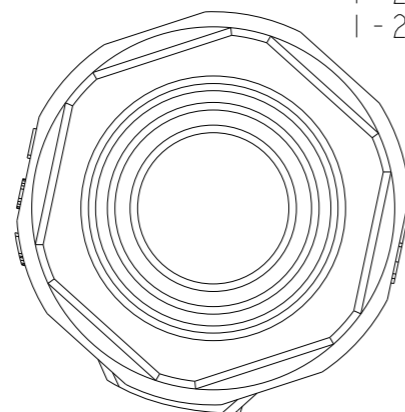
POLARIZING KEY B
2379237-2
1-2379237-2



BACKSHELL FOR
2379237-1
2379237-2



BACKSHELL FOR
1-2379237-1
1-2379237-2



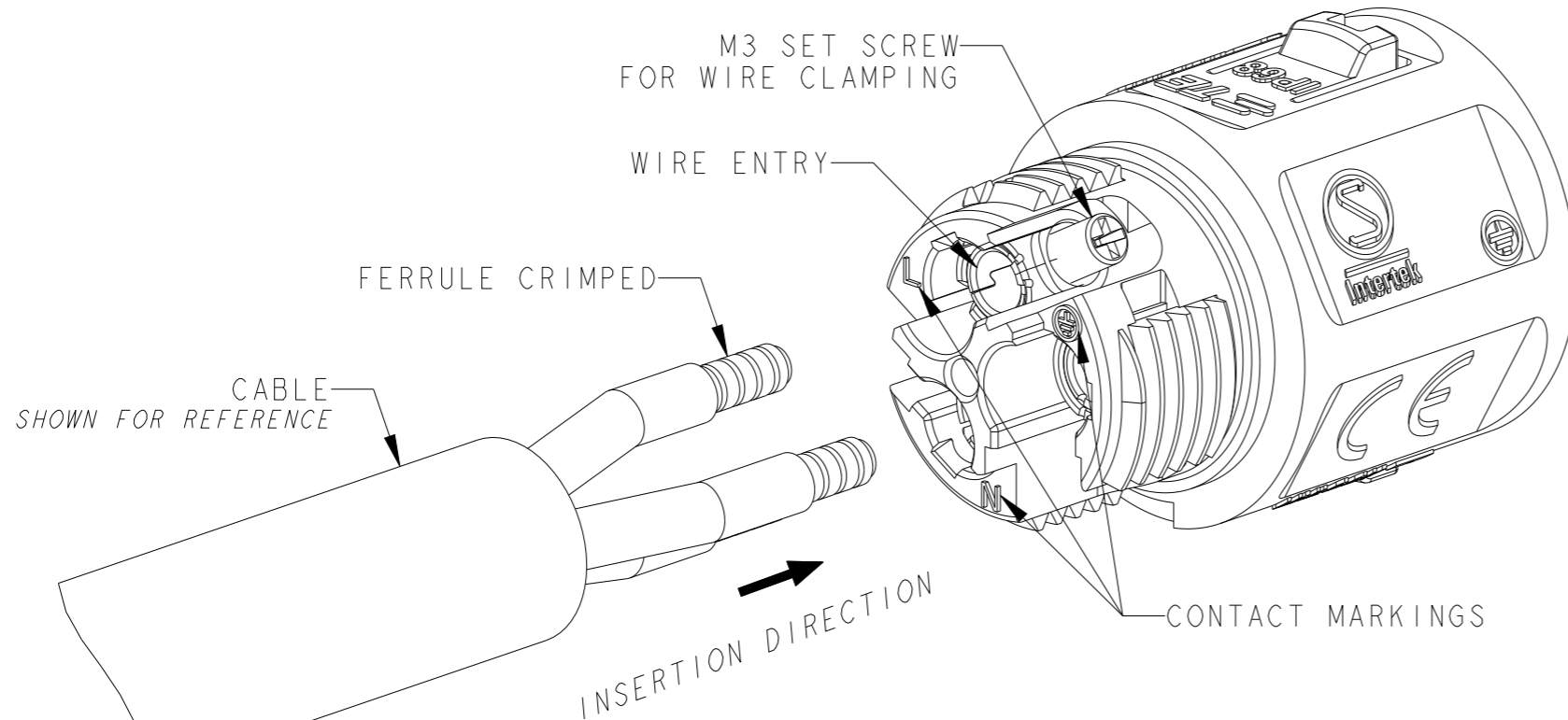
BACKSHELL P/N	HOUSING ASSY P/N	POLARIZING KEY	CABLE RANGE	DESCRIPTION	PART NUMBER
2363547-2	2359418-2	KEY B	Ø7 - Ø10	IN-LINE SOCKET CONNECTOR	1-2379237-2
	2359418-1	KEY A			1-2379237-1
2363547-1	2359418-2	KEY B	Ø10.5 - Ø15	IN-LINE SOCKET CONNECTOR	2379237-2
	2359418-1	KEY A			2379237-1

THIS DRAWING IS A CONTROLLED DOCUMENT.

DIMENSIONS: mm	TOLERANCES UNLESS OTHERWISE SPECIFIED: 0 PLC ±0.2 1 PLC ±0.2 2 PLC ±0.1 3 PLC ± 4 PLC ± ANGLES ±°	MATERIAL -	FINISH -	DWN SUBHASH. M 28AUG2020 CHK M. ZUCCA 28AUG2020 APVD PETER.OTT 24NOV2020 PRODUCT SPEC 108-133123 APPLICATION SPEC 114-133123 WEIGHT -	NAME NECTOR T, 3Pos, SOCKET CONNECTOR SCREW TYPE	SIZE A3	CAGE CODE 00779	DRAWING NO C-2379237	RESTRICTED TO -
CUSTOMER DRAWING				SCALE 2:1	SHEET 1 OF 2	REV A2			

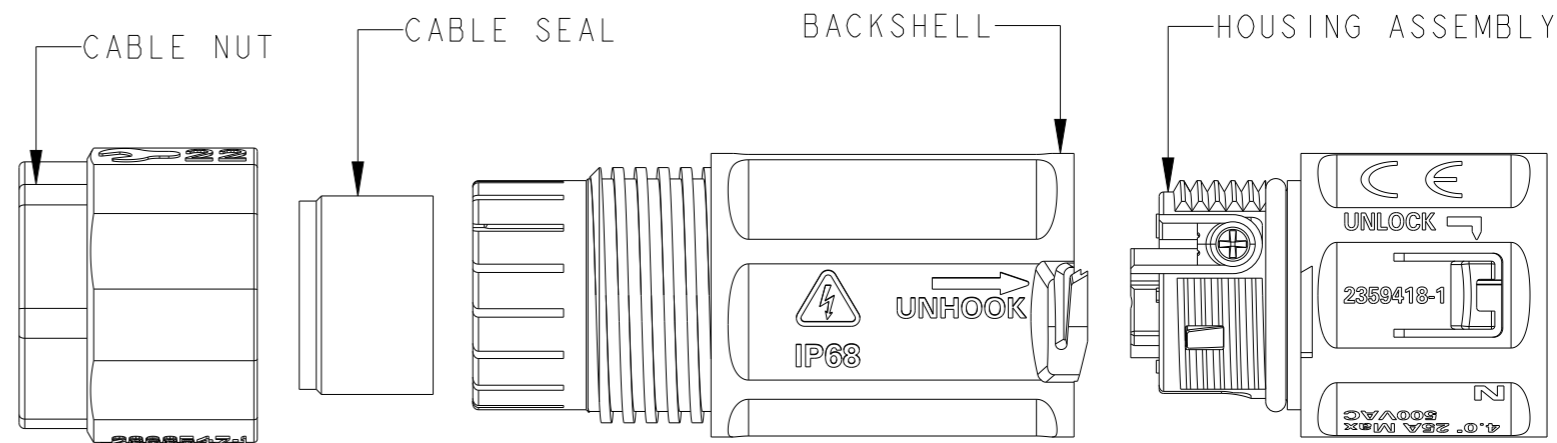


SCREW TERMINATION
REFER 114-133123 FOR DETAILED INSTRUCTION
NOT TO SCALE



REVISIONS					
P	LTR	DESCRIPTION	DATE	DWN	APVD
-		SEE SHEET 1	-	-	-

EXPLODED COMPONENTS
NOT TO SCALE



THIS DRAWING IS A CONTROLLED DOCUMENT.		DWN SUBHASH. M 28AUG2020	TE Connectivity														
DIMENSIONS: mm		CHK M. ZUCCA 28AUG2020															
TOLERANCES UNLESS OTHERWISE SPECIFIED:		APVD PETER.OTT 24NOV2020	NAME NECTOR T, 3Pos, SOCKET CONNECTOR SCREW TYPE														
<table border="0"> <tr> <td>0 PLC</td> <td>±0.2</td> </tr> <tr> <td>1 PLC</td> <td>±0.2</td> </tr> <tr> <td>2 PLC</td> <td>±0.1</td> </tr> <tr> <td>3 PLC</td> <td>±-</td> </tr> <tr> <td>4 PLC</td> <td>±-</td> </tr> <tr> <td>ANGLES</td> <td>±1°</td> </tr> </table>		0 PLC	±0.2	1 PLC	±0.2	2 PLC	±0.1	3 PLC	±-	4 PLC	±-	ANGLES	±1°	PRODUCT SPEC 108-133123	SIZE A3		
0 PLC	±0.2																
1 PLC	±0.2																
2 PLC	±0.1																
3 PLC	±-																
4 PLC	±-																
ANGLES	±1°																
MATERIAL -		APPLICATION SPEC 114-133123	CAGE CODE 00779	DRAWING NO C-2379237	RESTRICTED TO -												
FINISH -		WEIGHT -	SCALE 2:1														
		CUSTOMER DRAWING	SHEET 2 OF 2		REV A2												