

Product Change Notification

PCN-PCC-7462-2021

Business Unit	Product Line Code	Type of Change	Action	Date of Issue
PCC - PCB Connectors	AAD	Product Change Notification	Notify Distributors and Field	11/30/2021

The following Phoenix Contact products have been modified. Existing specifications will be met or exceeded. Please review and acknowledge this document and inform your personnel as needed.

Description for Product Change Notification

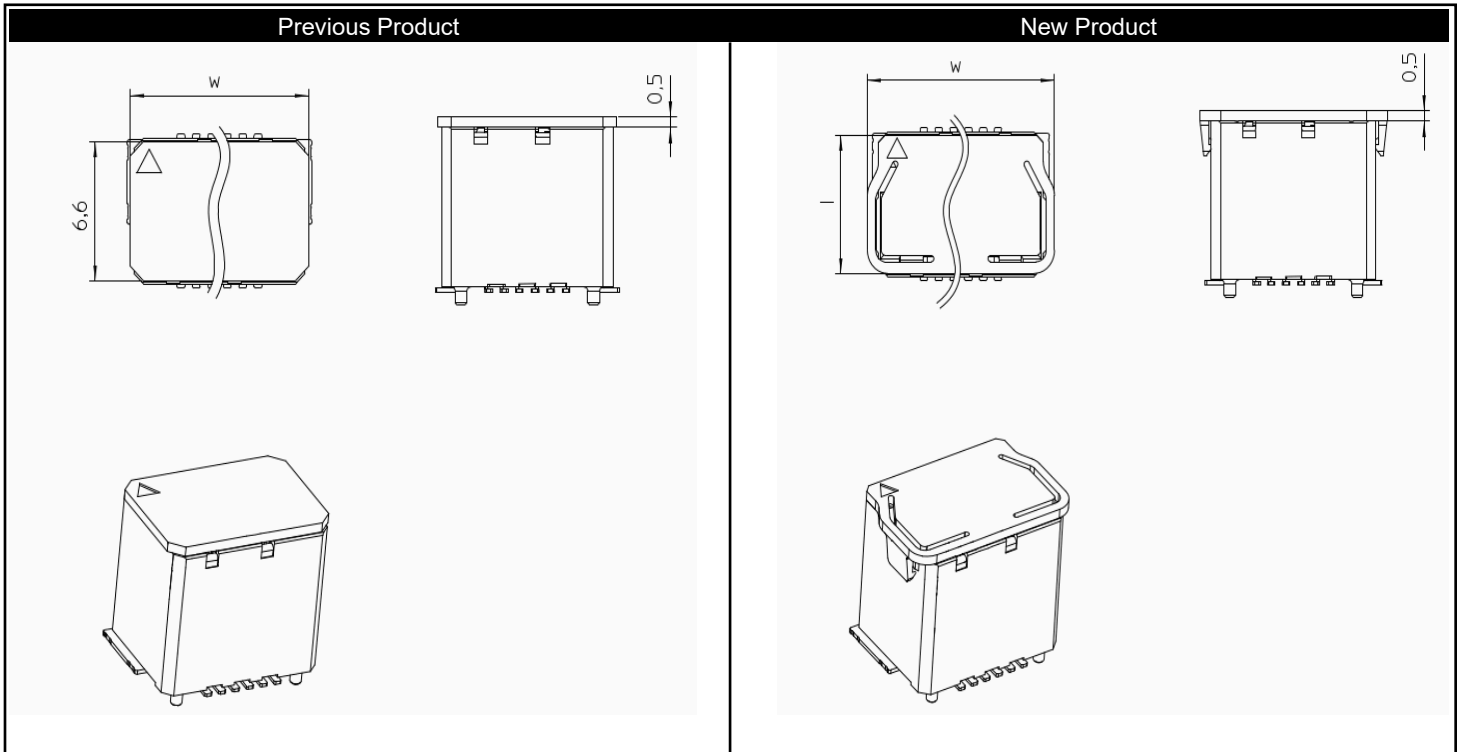
As part of the ongoing improvement process, the pick-and-place pads are being changed for the vertical female connector strips of FP 0,8 FINEPITCH series board-to-board connectors. This affects both the shielded and unshielded versions (FP 0,8 FV and FP 0,8 FV-SH product families). This change will make it easier to remove the pick-and-place pads after the soldering process. Details are provided in the attached comparison drawings. This change does not affect the technical properties of the board-to-board connectors.

Stock Status

Can existing stock still be used?	Yes
Is mixture of stock acceptable?	No

Transaction Dates

Date modification goes into effect from Germany:	6/1/2022
Expected first shipment (from Phoenix Contact) of the modified products(s):	6/1/2022





Phoenix Contact Inc.
P.O. BOX 4100
Harrisburg, PA 17111-0100
Phone: 717-944-1300

Product Change Notification

Should you have any issues with the timeline or content of this product change, please contact Phoenix Contact using the information below. Customers should acknowledge receipt of the PCN within 30 days of delivery of the PCN; provided, however, that the failure to acknowledge receipt does not affect the product change or the effective date thereof.

Contact Info:

Collin Long
clong@phoenixcontact.com

Thank you,

A handwritten signature in black ink, appearing to read 'JDunbar', positioned above a horizontal line.

James Dunbar

Senior Product Marketing Manager

Phoenix Contact Inc.
P.O. BOX 4100
Harrisburg, PA 17111-0100
Phone: 717-944-1300

Product Change Notification

Part #	Type Description
1061666	FP 0,8/ 52-FV 4,85
1061667	FP 0,8/ 80-FV 4,85
1061580	FP 0,8/ 12-FV 7,85
1061583	FP 0,8/ 20-FV 7,85
1061584	FP 0,8/ 32-FV 7,85
1061585	FP 0,8/ 52-FV 7,85
1043710	FP 0,8/ 12-FV-SH 4,85
1053612	FP 0,8/ 20-FV-SH 4,85
1043711	FP 0,8/ 32-FV-SH 4,85
1043713	FP 0,8/ 52-FV-SH 4,85
1043714	FP 0,8/ 80-FV-SH 4,85
1043682	FP 0,8/ 12-FV-SH 7,85
1053614	FP 0,8/ 20-FV-SH 7,85
1043683	FP 0,8/ 32-FV-SH 7,85
1043684	FP 0,8/ 52-FV-SH 7,85
1043685	FP 0,8/ 80-FV-SH 7,85
1061643	FP 0,8/ 12-FV 4,85
1061660	FP 0,8/ 20-FV 4,85
1061662	FP 0,8/ 32-FV 4,85