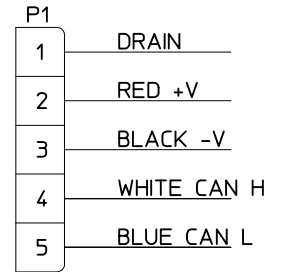
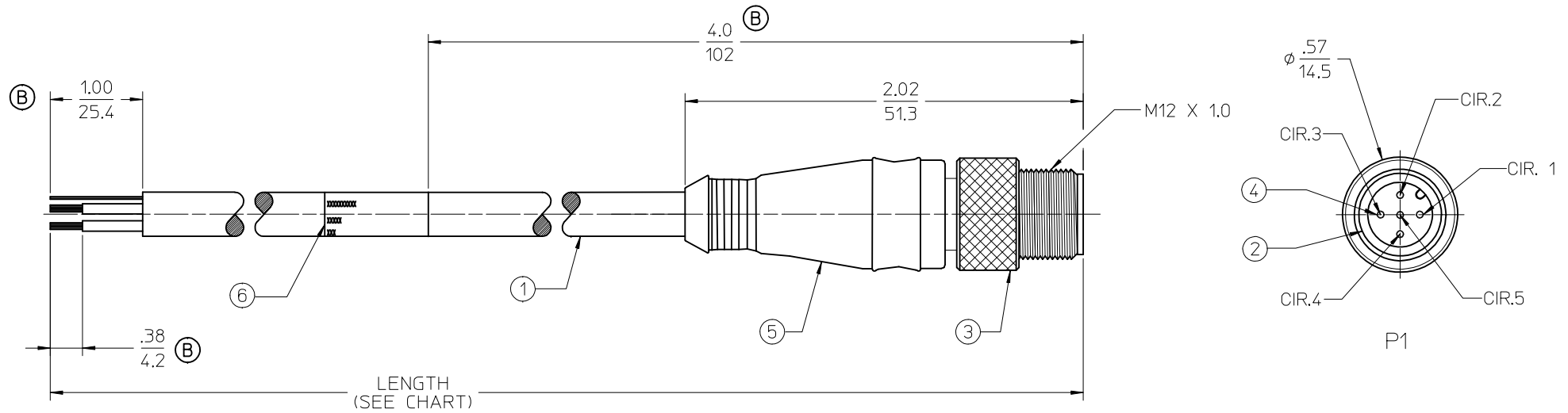


10	9	8
MATERIAL NO.	ENGINEERING NO.	LENGTH
848548021	84854-8021	.5M +44.5mm-0
848548022	84854-8022	1M +55.6mm-0
848548023	84854-8023	2M +88.9mm-0
848548024	84854-8024	3M +88.9mm-0
848548025	84854-8025	4M +165.1mm-0
848548026	84854-8026	5M +165.1mm-0
848548027	84854-8027	6M +165.1mm-0
848548032	84854-8032	1 FT .75IN-0
848548033	84854-8033	3 FT +1.75IN-0
848548034	84854-8034	4 FT +2.19IN-0
848548035	84854-8035	9 FT +3.50IN-0
848548036	84854-8036	10M +317.5mm-0

- (B) NOTES:
1. MATERIAL: SEE TABLE
  2. FINISHES: SEE TABLE
  3. ELECTRICAL SPECIFICATIONS  
VOLTAGE RATING: 250V  
CURRENT RATING: 4 AMPS
  4. PROTECTION: IP67 (WHEN MATED)
  5. TEMP RANGE: -20°C TO +80°C
  6. DIMS SHOWN ARE FOR REFERENCE ONLY UNLESS OTHERWISE NOTED



WIRING DIAGRAM



TABLE

6	WRAP LABEL	MYLAR	BLACK/YELLOW
5	OVERMOLD	PVC	GRAY
4	CONTACT PINS	Cu ALLOY	GOLD PLATED
3	COUPLING, MALE THD, METRIC	BRASS	NICKEL PLATED
2	INSULATOR, 5/C, DC KEY	NYLON	BLACK
1	CABLE, DEVICE-NET, THIN	PVC	GRAY
ITEM	DESCRIPTION	MATERIAL	FINISH

ADD P/N 848548036, DIMS.  
UPDATE NOTES REV  
EC NO: IPG2017-06Z7  
2016/12/21  
DR:WHRSTONE  
CHK:K COX  
APPR:BWODMAN  
2016/12/28  
2017/02/04

QUALITY SYMBOLS  
▽=0  
▽=0  
DESCRIPTION

GENERAL TOLERANCES (UNLESS SPECIFIED)	
mm	INCH
4 PLACES ± ---	± ---
3 PLACES ± ---	± ---
2 PLACES ± ---	± ---
1 PLACE ± ---	± ---
0 PLACE ± ---	± ---

ANGULAR ± ---°  
DRAFT WHERE APPLICABLE  
MUST REMAIN WITHIN DIMENSIONS

DIMENSION STYLE	
IN/MM	
DRAWN BY	DATE
RSTONE	2016/12/21
CHECKED BY	DATE
K COX	2016/12/28
APPROVED BY	DATE
BWOODMAN	2017/02/04
MATERIAL NO.	
SEE CHART	
SIZE	B

SCALE	DESIGN UNITS	THIRD ANGLE PROJECTION
1:1	INCH	☉
TITLE		
MICRO-CHANGE ASSEMBLY MALE, SINGLE END NMEA2000		
DOCUMENT NO.		
SD-84854-018		SHEET NO.
		1 OF 1