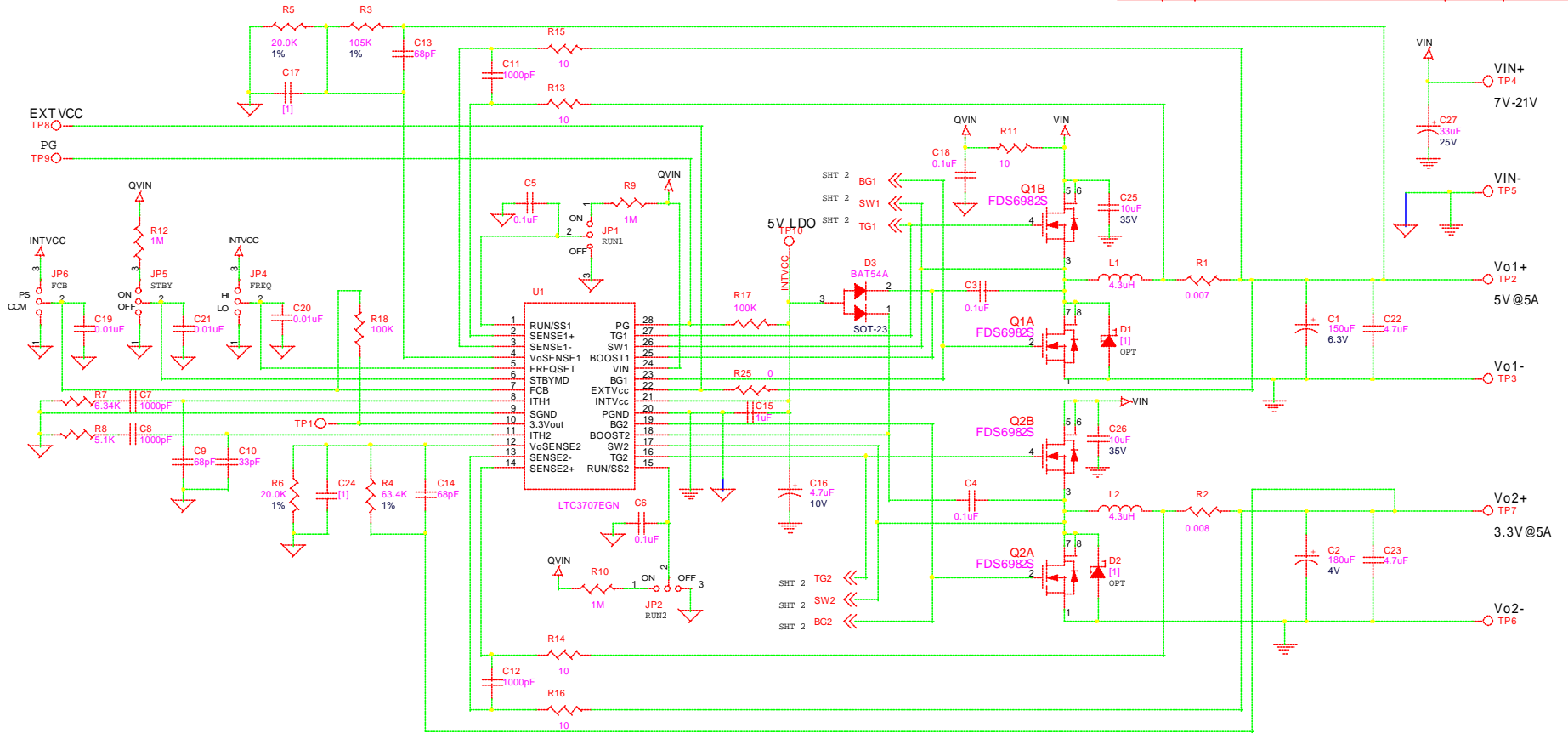


REVISION HISTORY				
ECO	REV	DESCRIPTION	DATE	APPROVED
0	3	PRODUCTION RELEASE	01-16-02	<



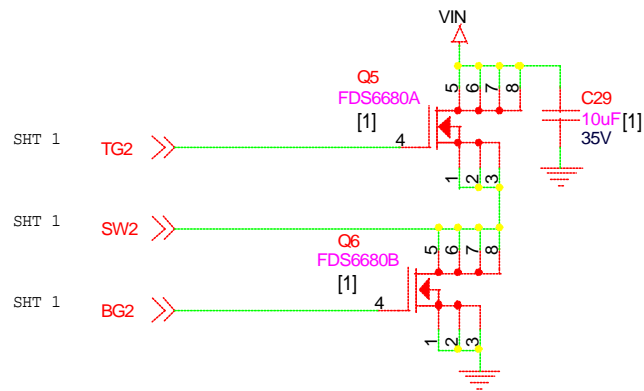
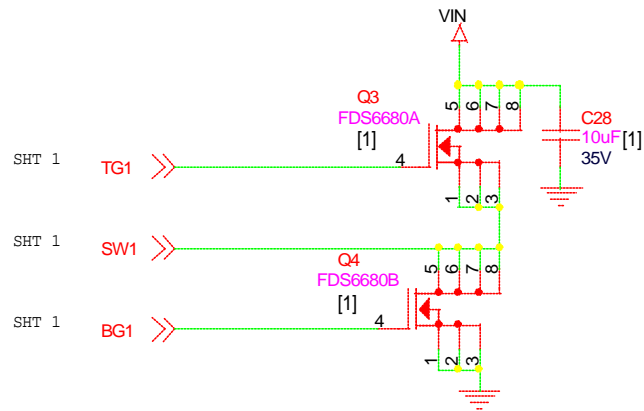
NOTES: UNLESS OTHERWISE SPECIFIED,  
 [1] OPTIONAL.

UNLESS OTHERWISE SPECIFIED DIMENSIONS ARE IN INCHES TOLERANCE ON ANGLE --- 2 PLACES --- 3 PLACES --- INTERPRET DIM AND TOL PER ASME Y14.5M -1994	CONTRACT NO.		1630 McCarthy Blvd. Milpitas, CA 95035 Phone: (408)432-1900 Fax: (408)434-0507
	APPROVALS DRAWN MEI CHECKED APPROVED ENGINEER DESIGNER	DATE 08-30-01	
THIRD ANGLE PROJECTION 	TUESDAY, MARCH 19, 2002	SIZE B SCALE NONE FILENAME 455A-3.DSN	DWG NO DC455A SHEET 1 OF 2

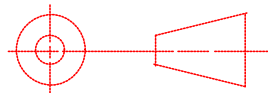
LTC CONFIDENTIAL - For Customer Use Only

REVISION HISTORY

ECO	REV	DESCRIPTION	DATE	APPROVED
	3	PRODUCTION RELEASE	01-16-02	



UNLESS OTHERWISE SPECIFIED  
DIMENSIONS ARE IN INCHES  
TOLERANCE ON ANGLE ---  
2 PLACES --- 3 PLACES ---  
INTERPRET DIM AND TOL  
PER ASME Y14.5M -1994



DO NOT SCALE DRAWING

CONTRACT NO.

APPROVALS	DATE
DRAWN MEI	01-16-02
CHECKED	
APPROVED	
ENGINEER	
DESIGNER	

Monday, January 28, 2002



1630 McCarthy Blvd.  
Milpitas, CA 95035  
Phone: (408)432-1900  
Fax: (408)434-0507

TITLE SCH,LTC3707 HIGH EFFICIENCY DUAL PHASE, 2 OUTPUT  
POWER SUPPLY

SIZE	CAGE CODE	DWG NO	REV
A		DC455A	3

SCALE:NONE FILENAME: 455A-3.DSN SHEET 2 OF 2