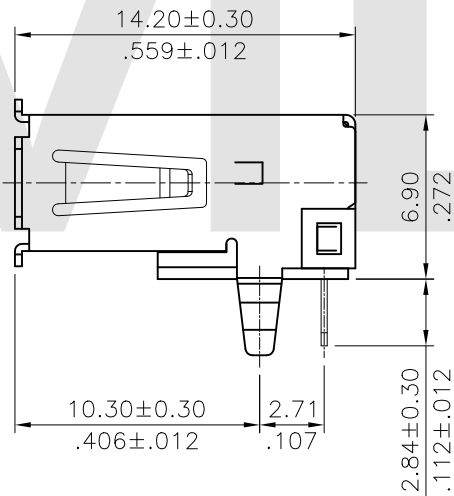
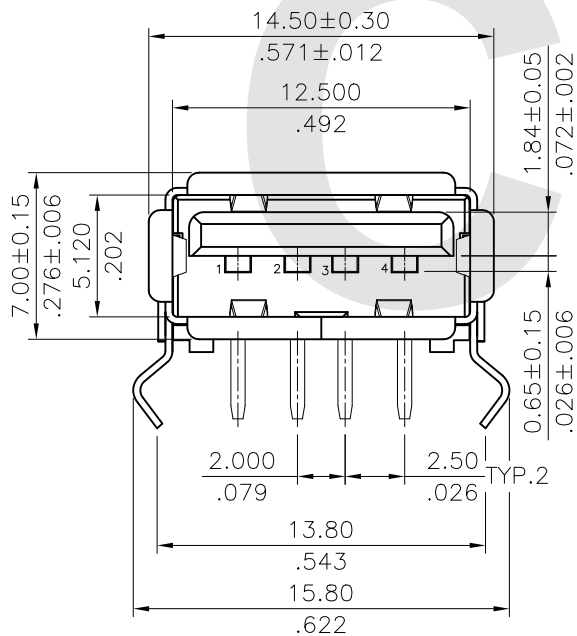


**Recommended P.C. Board Layout**  
**TOP VIEW(TOLERANCE:±0.10)**



Materials :

- \* Insulator: LCP UL 94V-0, Black
- \* Contacts: Copper Alloy
- \* Shell: Copper Alloy
- \* For Lead Free Wave Flow Process

Ordering Code:

CU01 S A H 1 S 00 -NH  
① ② ③ ④ ⑤ ⑥ ⑦ ⑧

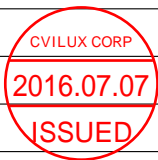
- ① Series No.
- ② S= Socket
- ③ Plating option:  
A= Selective Gold flash plated over 1.27μm(50μ") Nickel
- ④ H= Right angle
- ⑤ Insulator Color: 1= Black
- ⑥ S= Single port
- ⑦ Option: 00= Standard
- ⑧ NH= For Lead Free Wave Processes and Halogen-Free

Lead Free Process

Halogen-Free

RoHS compliant

4					DATE	UNIT: mm / inch	TITLE: U.S.B TYPE A RIGHT ANGLE BOARD MOUNT SOCKET
3					DATE	TOLERANCE UNLESS OTHERWISE SPECIFIED	MATERIAL:
2					DATE	.X ± 0.25/.010 X' ± 1'	
1	Sandy	6/28-16'	ECRB116040/ECNT116138		DATE	.XX ± 0.20/.008 X' ±	
SYM	NAME	DATE	REVISIONS	APPROVED BY:	DATE	.XXX ± 0.10/.004 XX' ±	FINISH:



DRAWING NO.	CU0141SB	PART NO.	CU01SAH1S00-NH
SCALE	3 / 1	SHEET	1 OF 1