

6

5

4

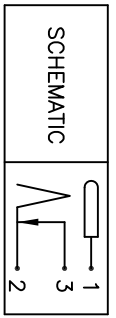
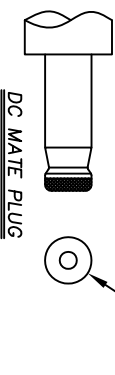
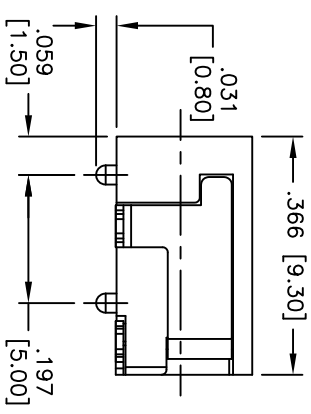
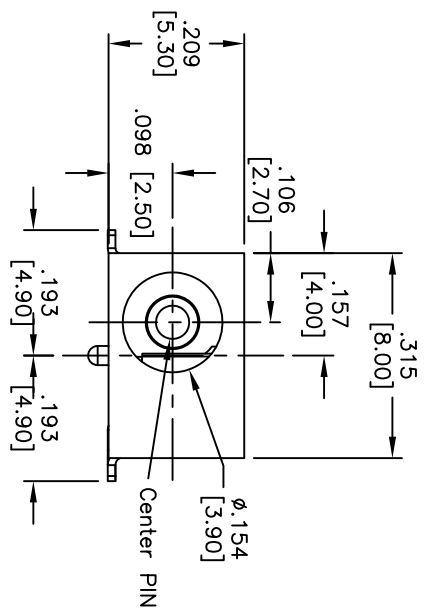
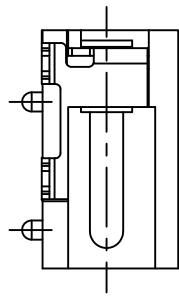
3

2

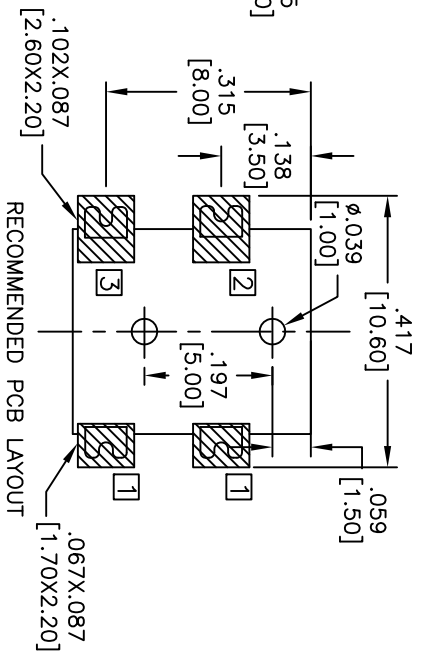
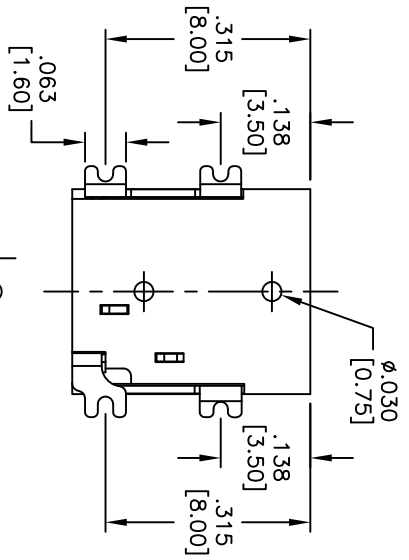
1

APPROVED: _____
DATE: _____ TITLE: _____

| Rev | AWO # | Description | Date | Appr |
|-----|-------|---------------------------|---------|------|
| - | | RELEASED | 4/10/06 | |
| A | | REDRAWN | 8/24/09 | |
| B | | ENGINEERING CHANGE NOTICE | 6/23/10 | |



PACKAGED ON TAPE & REEL



| PART NO. | CENTER PIN DIA. | DC PLUG O.D. |
|---------------|-----------------|--------------|
| ADC-021-3-T/R | .039 [1.00] | φ.138 [3.50] |
| ADC-021-4-T/R | .051 [1.30] | φ.138 [3.50] |

SPECIFICATIONS:

Material: Insulator: Hi-Temp thermoplastic, rated UL 94V-0

Insulator color: Black

Center Pin: Brass, Nickel plated

Contacts: Copper Alloy

Plating: Silver over Nickel underplate

Electrical:

Operating voltage: 18 VDC max.

Current rating: 3 Amp max.

Contact resistance: 30 mohms max. initial

Insulation resistance: 100 Mohms min.

Dielectric withstanding voltage: 500 VAC for 1 minute

Temperature Rating: Operating temperature: -25°C to +70°C

Environmental: Lead free, RoHS compliant



ADAM TECH

909 Railway Avenue, Union, NJ 07083
Phone: 908-687-5000 Fax: 908-687-5710

TITLE: DC POWER JACK, 1.00mm, 1.30mm CENTER PIN

| UNLESS OTHERWISE SPECIFIED | INCHES | HOLES |
|-----------------------------------|---------------|--------------|
| ALL DIMENSIONS ARE IN INCHES [MM] | .X ± .10 | ± .10 |
| TOLERANCES: EXCEPT AS NOTED | .XX ± .020 | ØXX ± .015 |
| | .XXX ± .015 | ØXXX ± .010 |
| APPROVALS | DATE | |
| DRAWN | LFJ | 4/10/06 |
| CHECKED | | |
| APPROVED | | |
| SIZE | PART NO. | REV. |
| X | ADC-021-X-T/R | B |
| REF: S00002C | SCALE: NTS | SHEET 1 OF 1 |

6

5

4

3

2

1