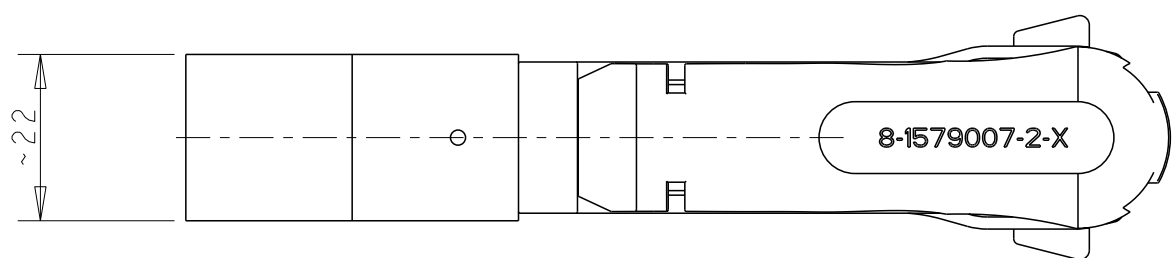
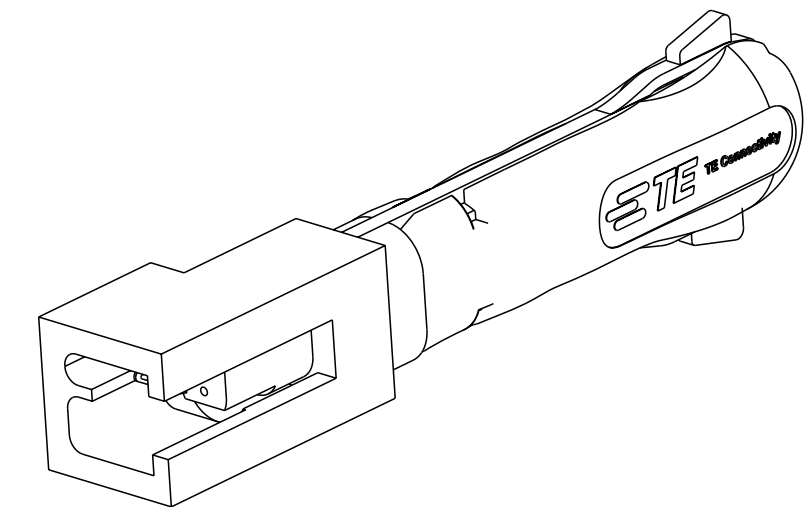
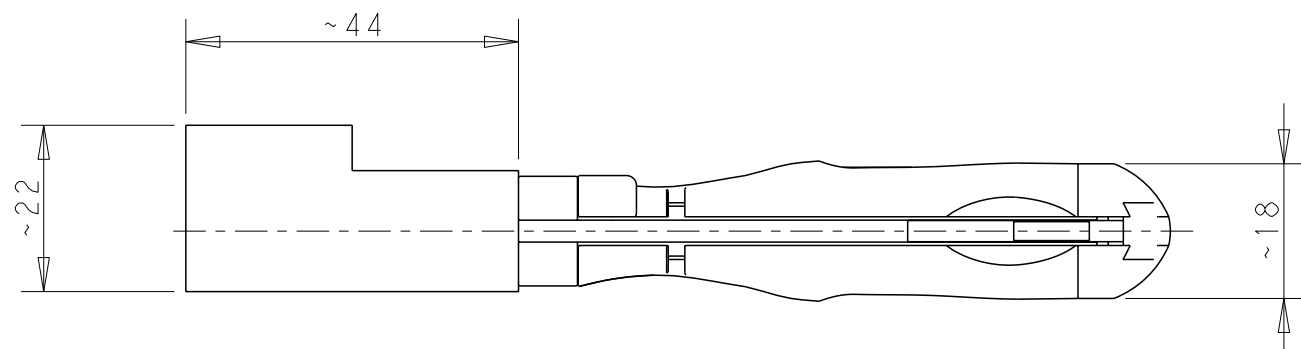
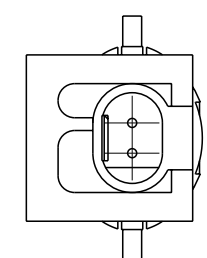
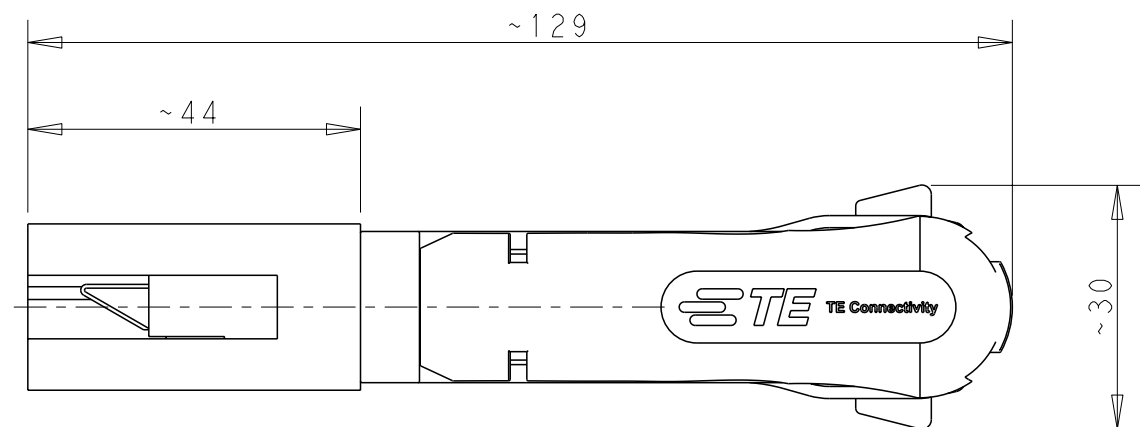


THIS DRAWING IS UNPUBLISHED. RELEASED FOR PUBLICATION 20  
 © COPYRIGHT 20 BY - ALL RIGHTS RESERVED.

REVISIONS					
P	LTR	DESCRIPTION	DATE	DWN	APVD
	A2	ECR-12-005542	23MAR12	LS	GS
	B	ECR-18-007709	22MAY2018	MG	RG



APPLICATION RANGE / Anwendungsbereich:

CONTACT MQS : 962886, 965908  
 HOUSING 2 Pos. MQS: 967079, 963658

THIS DRAWING IS A CONTROLLED DOCUMENT.		DWN S. Samstag 23JUN08		
DIMENSIONS: mm		CHK G. Stegmayer 23JUN08		
		APVD G. Stegmayer 23JUN08		
TOLERANCES UNLESS OTHERWISE SPECIFIED:		PRODUCT SPEC	NAME LOCKING TOOL CLOSING SECONDARY LOCK, MQS 2POS.	
0 PLC ±-		APPLICATION SPEC	-	
1 PLC ±-		WEIGHT 0.081kg	SIZE A3	CAGE CODE 00779
2 PLC ±-		CUSTOMER DRAWING	DRAWING NO C-8-1579007-2	
3 PLC ±-			SCALE 1:1	SHEET 1 OF 1
4 PLC ±-				REV B
ANGLES ±-				
FINISH -				