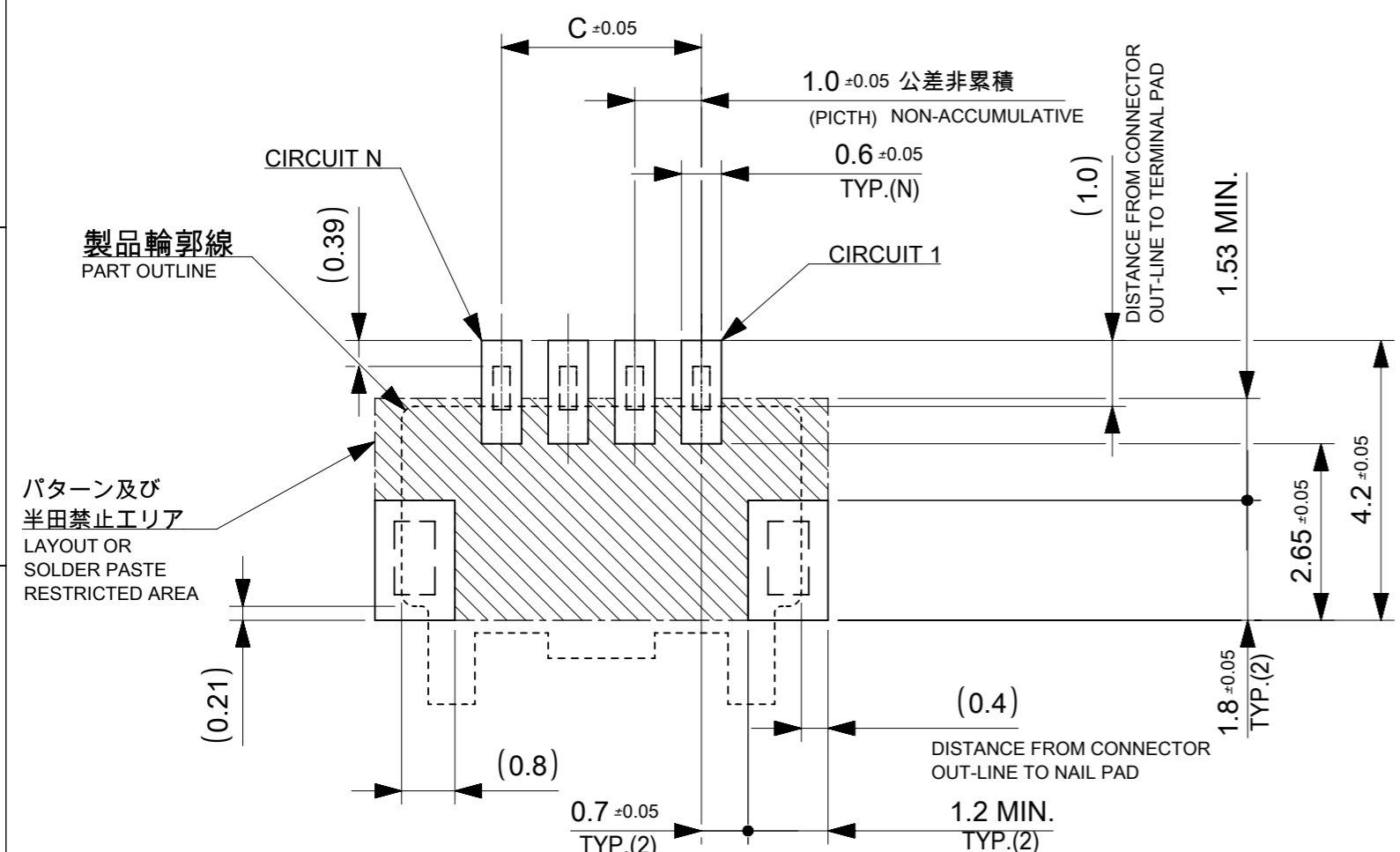


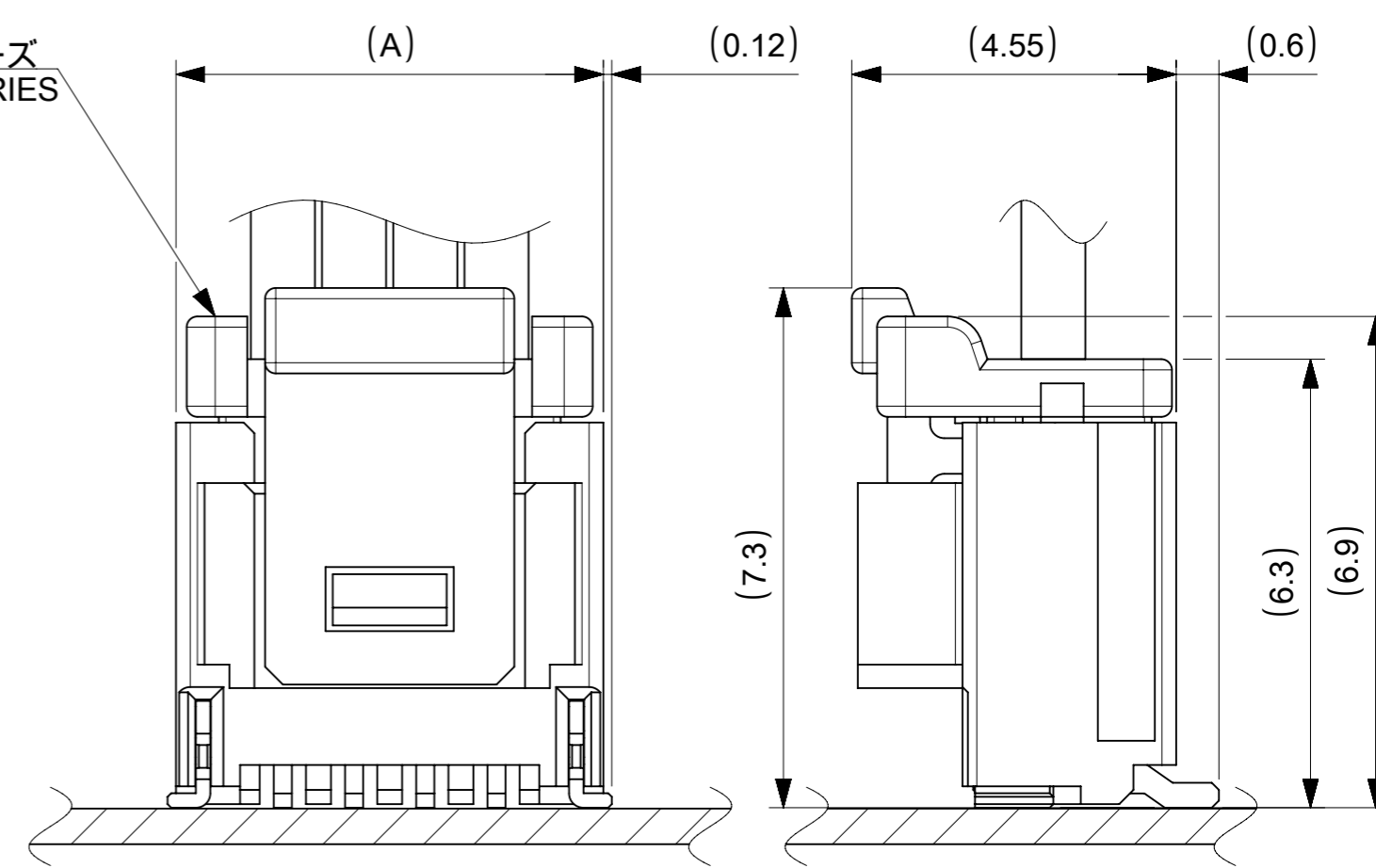
製品レイアウト
PRODUCT LAYOUT

△ 4 嵌合相手 : 501939 シリーズ
MATE WITH : 501939 SERIES



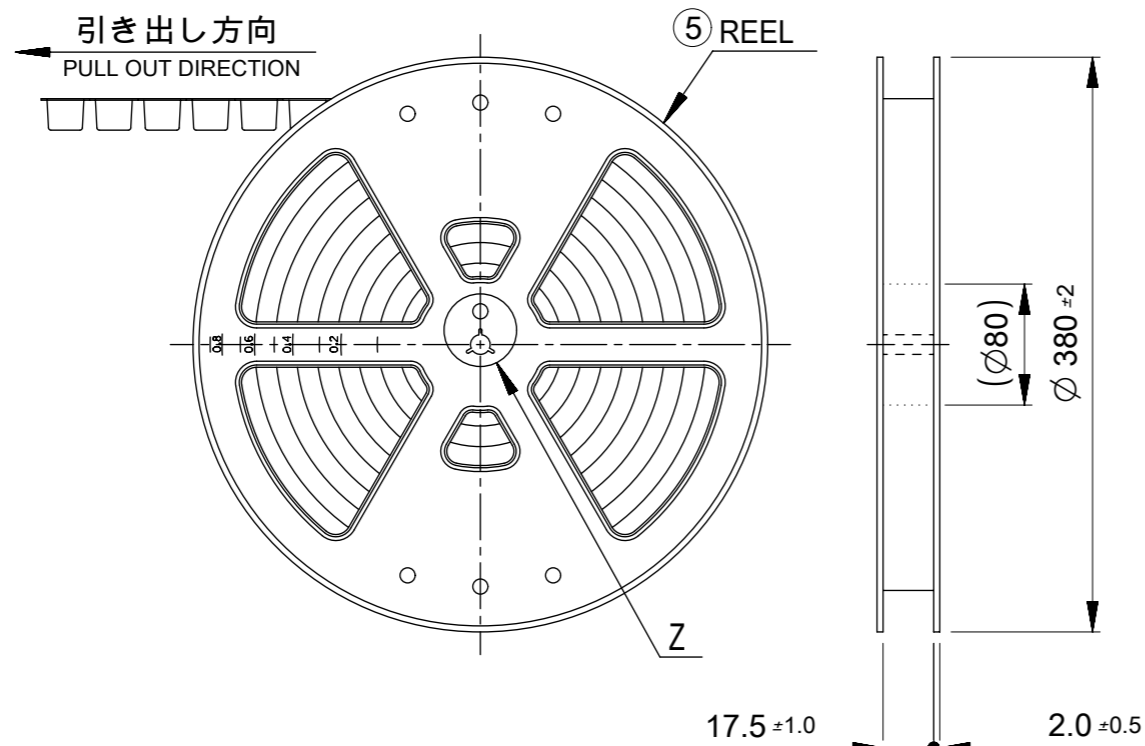
推奨基板レイアウト(全極数適応) : 実装面側
(参考 : 基板厚 1.0mm, メタルマスク厚さ 0.12mm, マスク開口率100%)
POLARIZED RECOMMENDED PCB LAYOUT(APPLY TO ALL CIRCUIT) : COMPONENT SIDE
(REFERENCE: PCB THICKNESS 1.0mm, STENCIL THICKNESS 0.12mm, APERTURE RATIO 100%)

:パターン禁止エリア
RESTRICTED AREA
NO PCB COMPONENTS ALLOWED



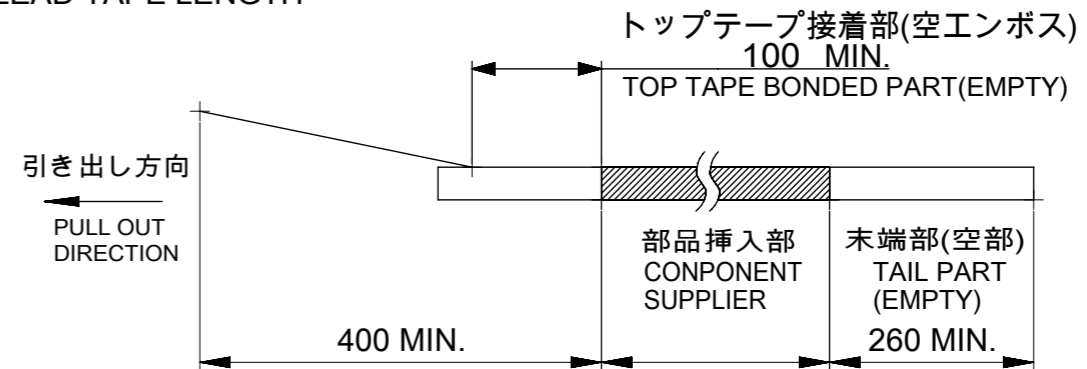
嵌合図
MATED CONNECTORS

THIS DRAWING CONTAINS INFORMATION THAT IS PROPRIETARY TO MOLEX ELECTRONIC TECHNOLOGIES, LLC AND SHOULD NOT BE USED WITHOUT WRITTEN PERMISSION									
DIMENSION UNITS		SCALE		CURRENT REV DESC:					
mm		NTS		molex PICO-CLASP 1.0 W/B SINGLE ROW VT SMT OUTER LOCK TIN PLATING PRODUCT CUSTOMER DRAWING					
GENERAL TOLERANCES (UNLESS SPECIFIED)									
ANGULAR TOL		± 3.0 °							
4 PLACES		± 0.2							
3 PLACES		± 0.2							
2 PLACES		± 0.2		EC NO: 614802		2019/03/13		DOCUMENT NUMBER	
1 PLACE		± 0.2		DRWN: AISHIKAWA		2019/04/03		5019400000-SD	
0 PLACES		± 0.2		CHK'D: AIDA		2019/04/03		DOC TYPE	
DRAFT WHERE APPLICABLE		THIRD ANGLE PROJECTION		APPR: KOMURAKAMI		2019/04/03		DOC PART	
MUST REMAIN WITHIN DIMENSIONS				INITIAL REVISION:		2019/03/13		REVISION	
				DRWN: AISHIKAWA		2019/04/03		000	
				APPR: KOMURAKAMI		2019/04/03		A	
				DRAWING		SERIES		SHEET NUMBER	
				A3-SIZE		501940		2 OF 5	
				MATERIAL NUMBER		CUSTOMER			
				SEE SHEET 5					

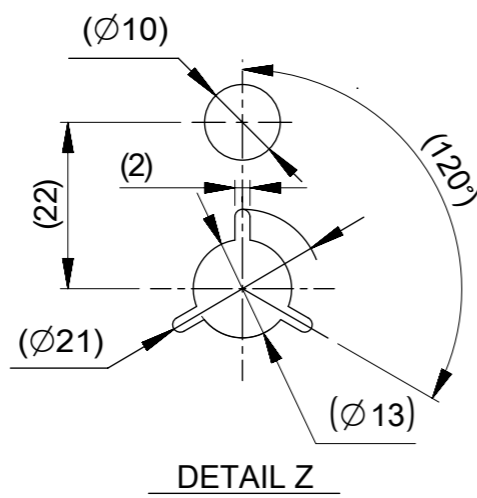


NOTES

- 9. 梱包数量:1100個/リール
NUMBER OF CONNECTORS : 1100 PIECES/REEL
- 10. リードテープ長さ
LEAD TAPE LENGTH



- 11. トップテープの剥離強度はIEC60286-3に準拠。
TOP TAPE PEELING FORCE IS DEFINED BY IEC60286-3.
- 12. 梱包仕様書 : SPK-501940-001
PACKAGE SPECIFICATION:
- 13. 発注番号 : SHEET 5 参照
ORDER No. : PLEASE REFER TO SHEET 5 FOR PRODUCT LIST.



501940 ** * *

極数 CIRCUIT SIZE	ハウジングカラー HOUSING COLOR	製品識別番号 IDENTIFICATION NUMBER
	0:NATURAL(BEIGE)	7:EMBOSSED PACKAGE

THIS DRAWING CONTAINS INFORMATION THAT IS PROPRIETARY TO MOLEX ELECTRONIC TECHNOLOGIES, LLC AND SHOULD NOT BE USED WITHOUT WRITTEN PERMISSION		CURRENT REV DESC:		molex	
DIMENSION UNITS mm	SCALE NTS	EC NO: 614802 DRWN: AISHIKAWA 2019/03/13 CHK'D: AIDA 2019/04/03 APPR: KOMURAKAMI 2019/04/03			
GENERAL TOLERANCES (UNLESS SPECIFIED)		INITIAL REVISION:		PICO-CLASP 1.0 W/B SINGLE ROW VT SMT OUTER LOCK TIN PLATING	
ANGULAR TOL	± 3.0 °	DRWN: AISHIKAWA 2019/03/13 APPR: KOMURAKAMI 2019/04/03		PRODUCT CUSTOMER DRAWING	
4 PLACES	± 0.2	DRWN: AISHIKAWA 2019/03/13 APPR: KOMURAKAMI 2019/04/03		DOCUMENT NUMBER	
3 PLACES	± 0.2			5019400000-SD	
2 PLACES	± 0.2			DOC TYPE	DOC PART
1 PLACE	± 0.2			PSD	000
0 PLACES	± 0.2			REVISION	A
DRAFT WHERE APPLICABLE MUST REMAIN WITHIN DIMENSIONS		THIRD ANGLE PROJECTION	DRAWING	SERIES	MATERIAL NUMBER
			A3-SIZE	501940	SEE SHEET 5
		CUSTOMER	SHEET NUMBER		
				3 OF 5	

番号 NO.	部品 PART	材質 MATERIAL
⑤	リール REEL	ポリスチレン(PS) <リサイクル材を含む> POLYSTYRENE(PS) <RECYCLE MATERIAL CONTAINED>
DOCUMENT STATUS	P1	RELEASE DATE 2019/04/03 09:48:45

引き出し方向
PULL OUT DIRECTION

16mm幅テープ
TAPE WIDTH:16mm

⑦ TOP TAPE

CONNECTOR

⑥ CARRIER TAPE

SECTION Y-Y

(7.5) コネクター中心位置
CENTER OF CONNECTOR

SECTION X-X

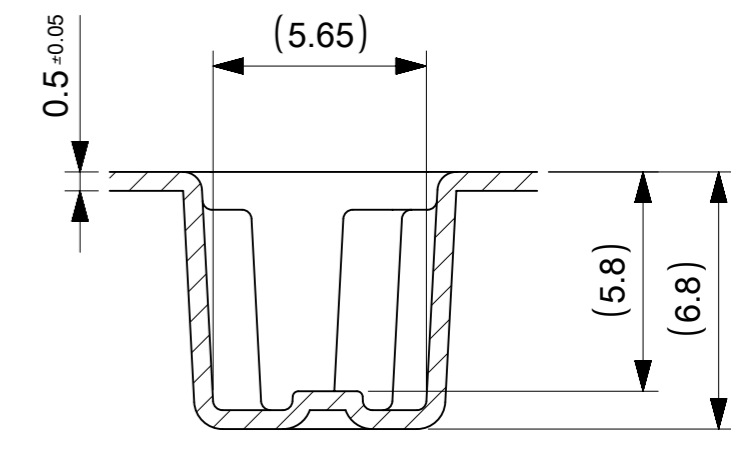
(2.0) エンボスポケット中心位置
CENTER OF EMBOSSED POCKET

累積ピッチ : 40 ±0.2
ACUUMLATIVE PITCH:

CIRCUIT 1 $\phi 1.5^{+0.1}_{0.0}$

1.75 ±0.1

16.0 ±0.3



12.0 ±0.1

(5.65)

(2.55)

(D)

Y →

X ↑

X ↑

8.3	5
7.3	4
6.3	3
D	極数 CIRCUIT SIZE

THIS DRAWING CONTAINS INFORMATION THAT IS PROPRIETARY TO MOLEX ELECTRONIC TECHNOLOGIES, LLC AND SHOULD NOT BE USED WITHOUT WRITTEN PERMISSION

DIMENSION UNITS mm	SCALE NTS	CURRENT REV DESC:		molex			
GENERAL TOLERANCES (UNLESS SPECIFIED)		EC NO: 614802					
ANGULAR TOL	± 3.0 °	DRWN: AISHIKAWA 2019/03/13		SINGLE ROW VT SMT OUTER LOCK TIN PLATING			
4 PLACES	± 0.2	CHK'D: AIDA 2019/04/03		PRODUCT CUSTOMER DRAWING			
3 PLACES	± 0.2	APPR: KOMURAKAMI 2019/04/03		DOCUMENT NUMBER			
2 PLACES	± 0.2	INITIAL REVISION:		5019400000-SD			
1 PLACE	± 0.2	DRWN: AISHIKAWA 2019/03/13		DOC TYPE		DOC PART	REVISION
0 PLACES	± 0.2	APPR: KOMURAKAMI 2019/04/03		PSD		000	A
DRAFT WHERE APPLICABLE MUST REMAIN WITHIN DIMENSIONS		THIRD ANGLE PROJECTION	DRAWING	SERIES	MATERIAL NUMBER	CUSTOMER	
			A3-SIZE	501940	SEE SHEET 5	SHEET NUMBER	
						4 OF 5	

番号 NO.	部品 PART	材質 MATERIAL
⑥	キャリアテープ CARRIER TAPE	ポリプロピレン(PP)、その他 POLYPROPYLEN(PP), etc
⑦	トップテープ TOP TAPE	ポリエチレン(PE)、その他 POLYETHYLENE(PE), etc

DOCUMENT STATUS	P1	RELEASE DATE	2019/04/03	09:48:45
-----------------	----	--------------	------------	----------

9 8 7 6 5 4 3 2 1

E

E

D

D

C

C

B

B

A

A

13 製品一覧 PRODUCT LIST

HOUSING COLOR	
NATURAL(BEIGE)	
501940 0507	5
501940 0407	4
501940 0307	3
発注番号 ORDER No.	極数
梱包形態 : エンボスリール PACKAGE:EMBOSSSED REEL	CIRCUIT SIZE

THIS DRAWING CONTAINS INFORMATION THAT IS PROPRIETARY TO MOLEX ELECTRONIC TECHNOLOGIES, LLC AND SHOULD NOT BE USED WITHOUT WRITTEN PERMISSION										
DIMENSION UNITS	SCALE	CURRENT REV DESC:					molex			
mm	NTS						PICO-CLASP 1.0 W/B SINGLE ROW VT SMT OUTER LOCK TIN PLATING			
GENERAL TOLERANCES (UNLESS SPECIFIED)		EC NO: 614802					PRODUCT CUSTOMER DRAWING			
ANGULAR TOL	± 3.0 °	DRWN: AISHIKAWA 2019/03/13					DOCUMENT NUMBER			
4 PLACES	± 0.2	CHK'D: AIDA 2019/04/03					5019400000-SD			
3 PLACES	± 0.2	APPR: KOMURAKAMI 2019/04/03					DOC TYPE			
2 PLACES	± 0.2	INITIAL REVISION:					PSD			
1 PLACE	± 0.2	DRWN: AISHIKAWA 2019/03/13					DOC PART			
0 PLACES	± 0.2	APPR: KOMURAKAMI 2019/04/03					000			
DRAFT WHERE APPLICABLE MUST REMAIN WITHIN DIMENSIONS		THIRD ANGLE PROJECTION	DRAWING	SERIES	MATERIAL NUMBER	CUSTOMER	REVISION			
			A3-SIZE	501940	SEE SHEET 5		A			
							SHEET NUMBER			
							5 OF 5			

DOCUMENT STATUS	P1	RELEASE DATE	2019/04/03	09:48:45
-----------------	----	--------------	------------	----------

9 8 7 6 5 4 3 2 1

FORMAT: master-ib-prod-A3
REVISION: 11
DATE: 2018/01/18