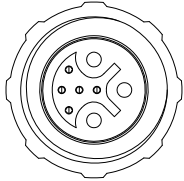
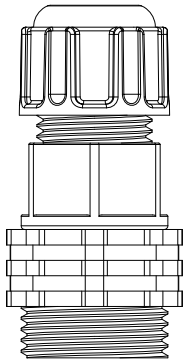
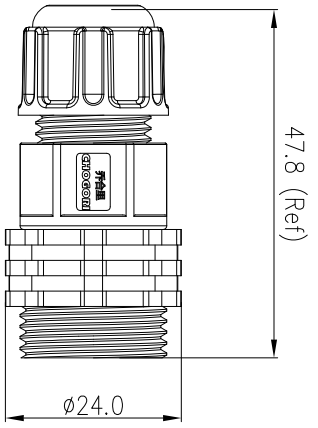
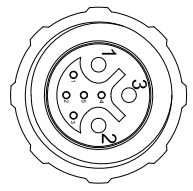


REV.	EN. NO.	DESCRIPTION	SIGN	DATE
C1	N/A	INITIAL DRAWING	Hary	2020/05/19



23XXX311-XX Cable Range OD
 01 OD: ϕ 3.5mm~ ϕ 6.5mm
 02 OD: ϕ 6.5mm~ ϕ 9.5mm

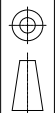
Pin Number



(3+5) Pin

P/N: 23305311-XX

Pin Assignments
 Front View



UNIT: mm
 TOLERANCE
 .X ±0.25
 .XX ±0.15
 .XXX ±0.05
 ANGLES ±1°

DESCRIPTION

Middle Series Screw
 Female Plug With Male Pin
 SCALE: 1:1
 SHEET 1 OF 1
 REV: C1 SIZE A4 * : Inspection Item

CHOGORI

PART NO 23305311-XX

DRAWN BY Hary

DATE 2020/05/19

DWG NO

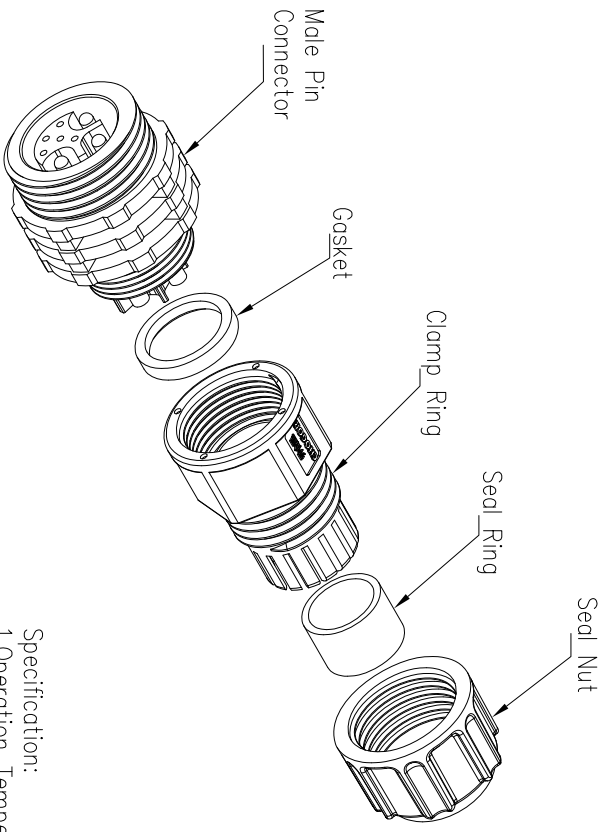
CHECKED BY Mo

DATE 2020/05/19

CUSTOMER

APPROVED BY Panson

DATE 2020/05/19



Specification:

1. Operation Temperature: -45°C~105°C.
2. Insulation Resistance: 100M Ω at DC500V.
3. Contact Resistance: <10m Ω .
4. Withstand Voltage: 1500V AC
5. Operating Current: 15A/2A
6. Operating Voltage: AC 125V/30V
7. Waterproof Rate: IP67 (Mated)
8. Seal Nut: Nylon, Black
9. Seal Ring: Silicon, Black.
10. Clamp Ring: Nylon, Black
11. Gasket: Silicon, Red
12. Male Pin: Copper Alloy, Gold Plated
13. Connector: Nylon+GF, Black
14. RoHS Compliant.
15. Mating Cap: 806-00052-00