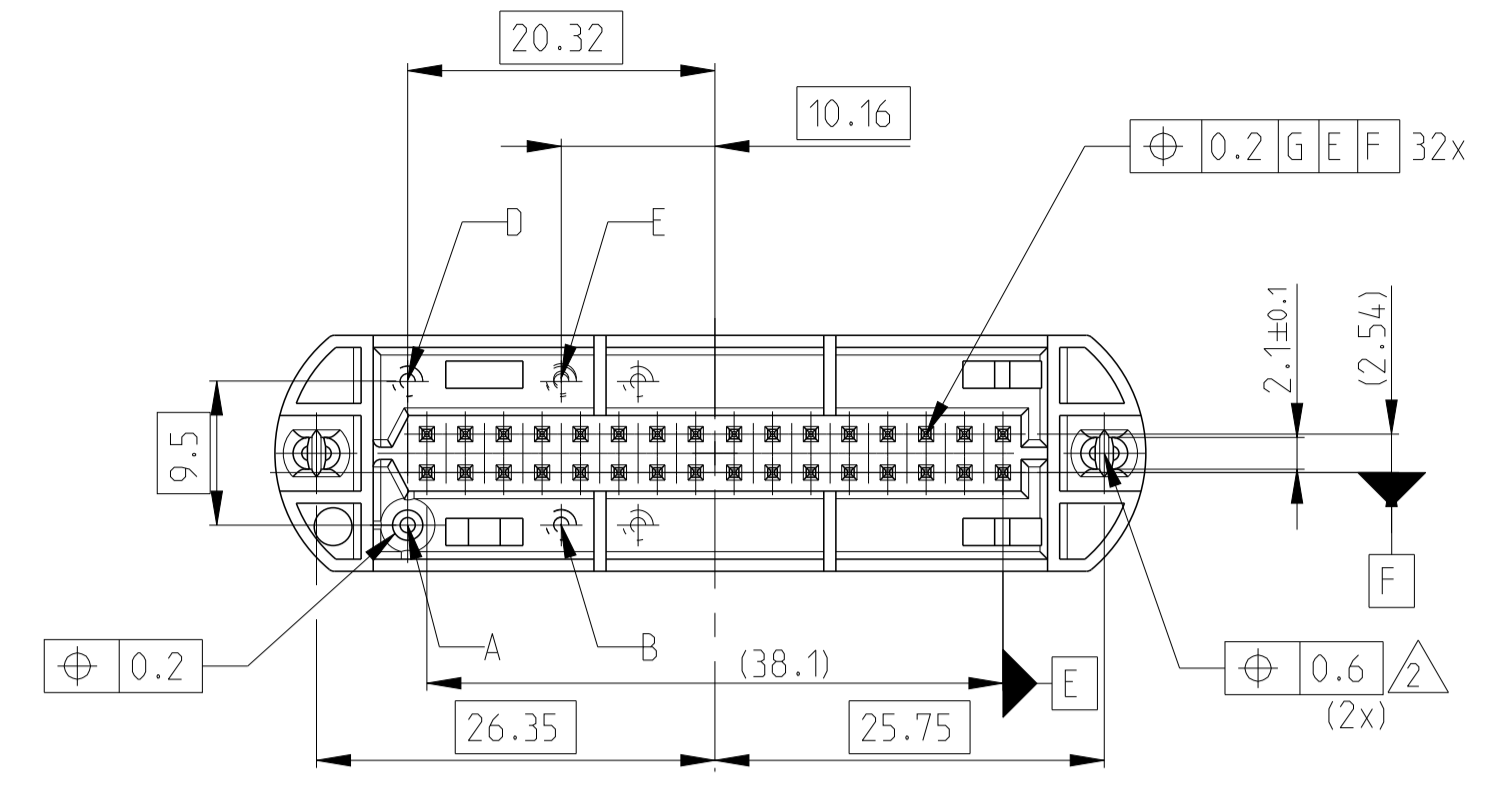
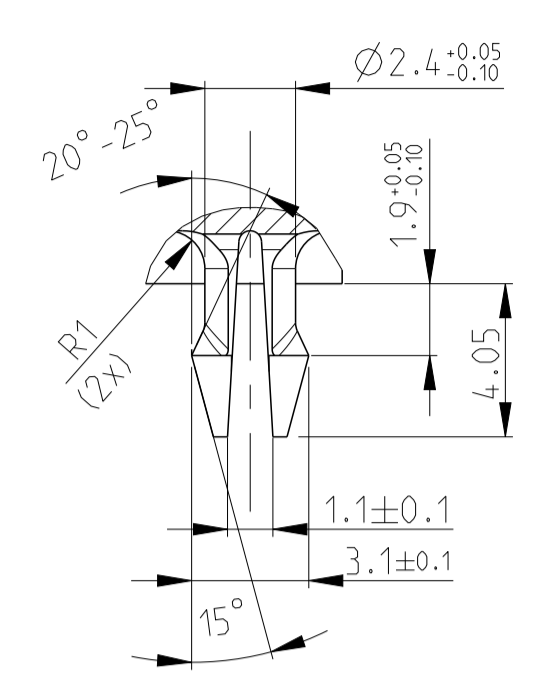


| LOC | | DIST | | REVISIONS | | | |
|-----|-----|---------------|---------|-----------|------|--|--|
| P | LTN | DESCRIPTION | DATE | DMN | APVD | | |
| A | | RELEASE | 30JUN11 | E.X | I.Y | | |
| A1 | | ECR-11-015805 | 01AUG11 | E.X | I.Y | | |
| A2 | | ECR-13-012747 | 12AUG13 | X.L | I.Y | | |
| A3 | | ECR-19-013351 | 22AUG19 | E.L | W.W | | |

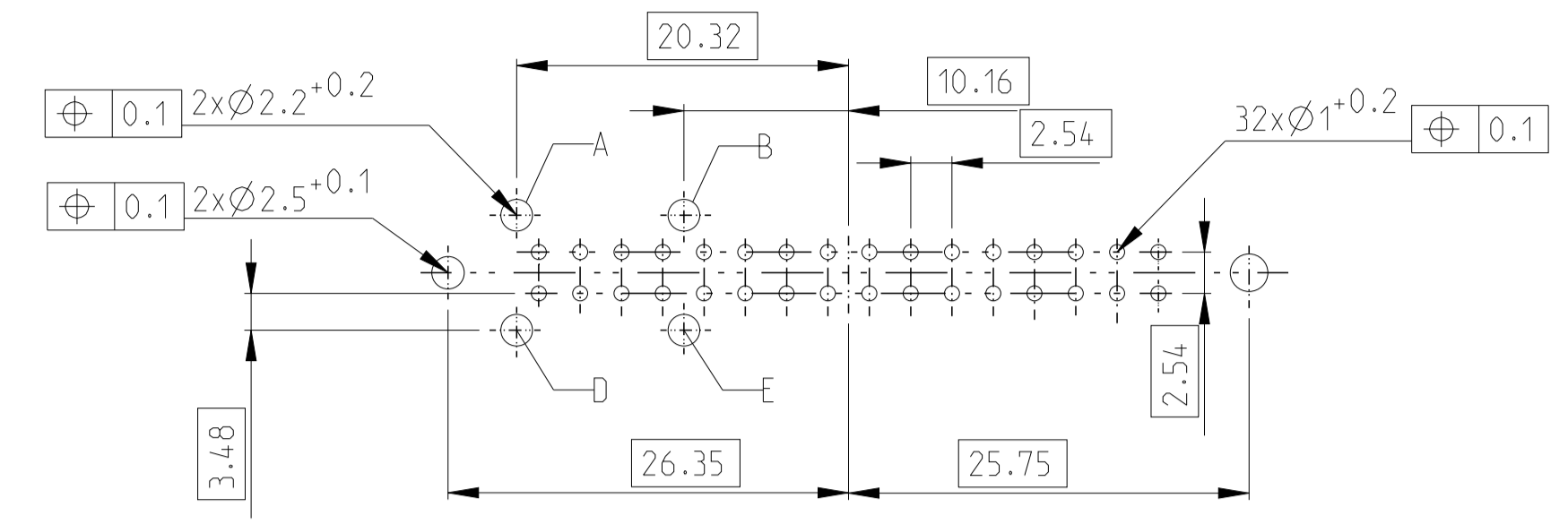
CODING A-F. SOLDER SIDE



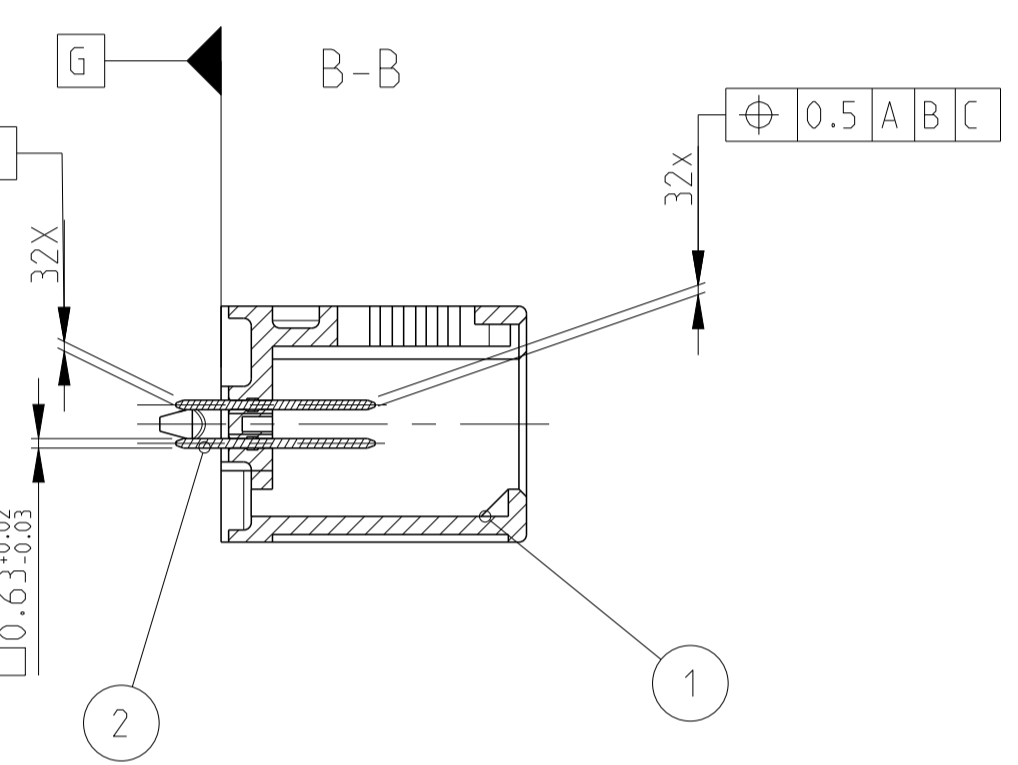
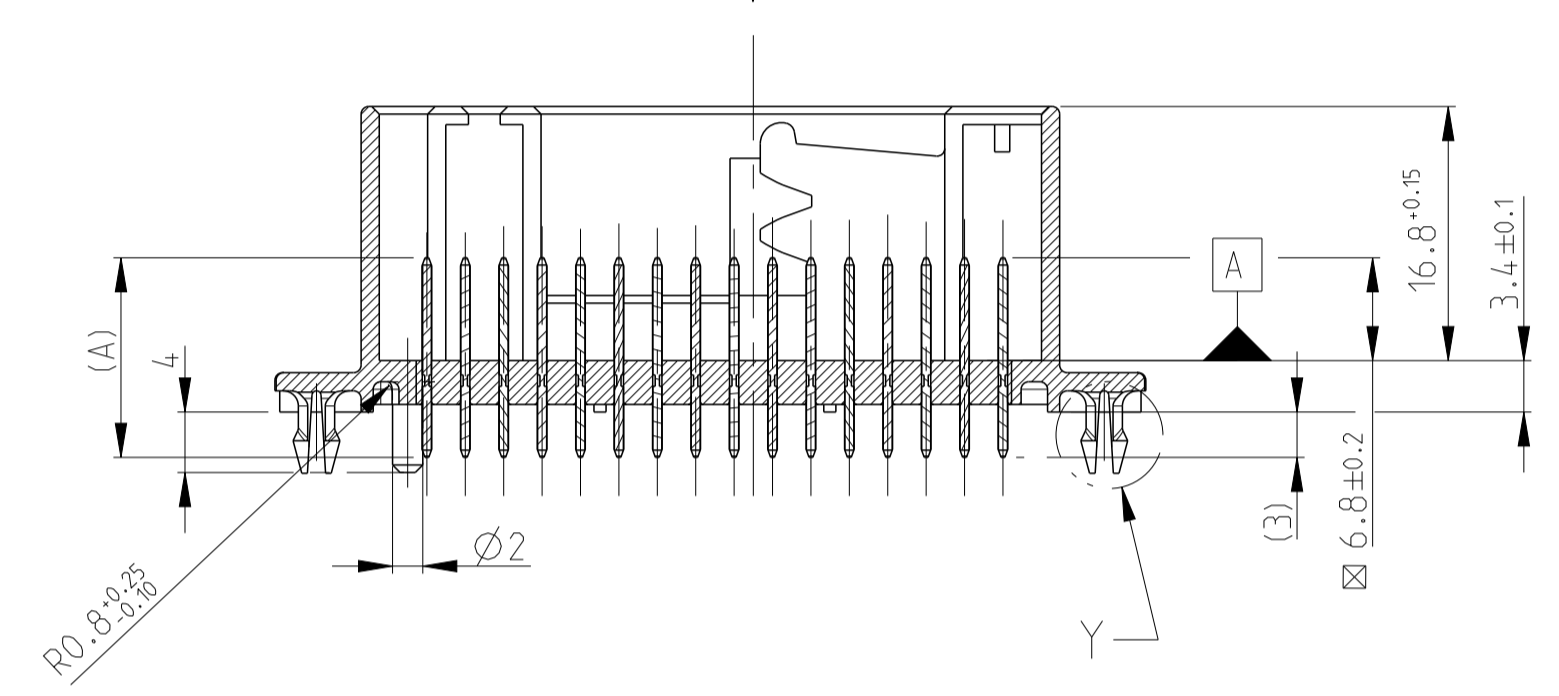
DETAIL "Y"



PCB LAYOUT

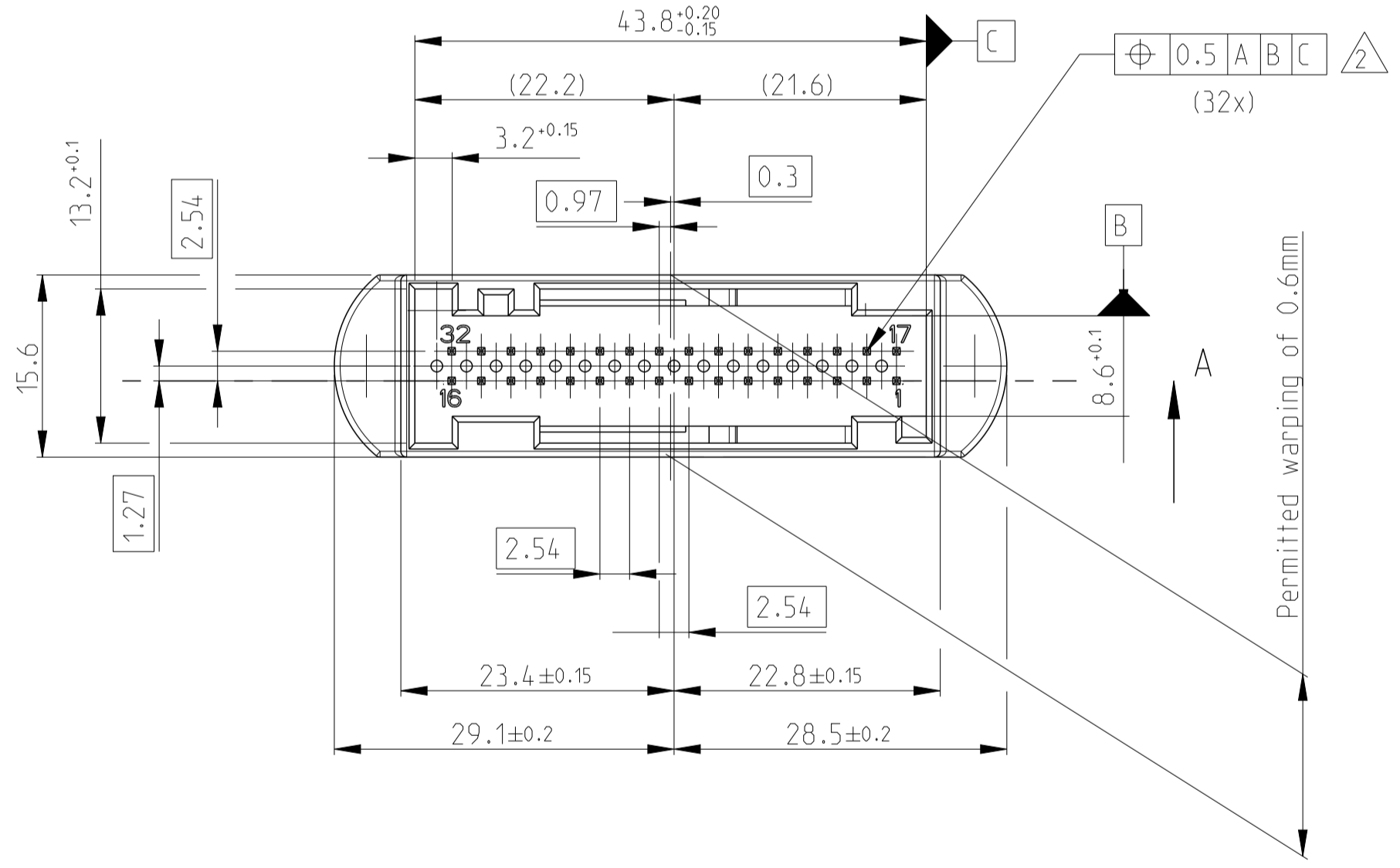


SECTION A-A

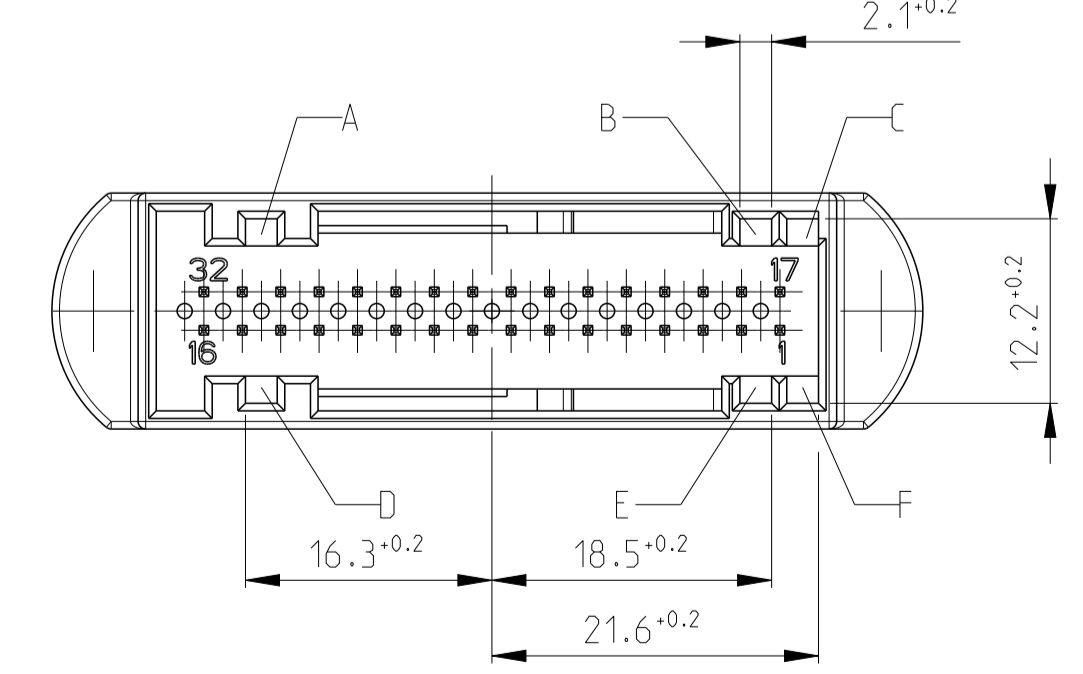


NOTES:

- THE EXECUTION OF THE PRINTED CIRCUIT BOARD CODING AND THE CODING SLOTS, SEE TABLE
- FORM- AND POSITION TOLERANCE; "POSITION" IS VALID ONLY FOR THE APPROPRIATED POINTS
- SURFACE: TIN PLATING 2.0 µm - 4.0 µm (PER FINISH SPEC 112-16-2) OVER 1.27 µm - 2.2 µm NICKEL (PER FINISH SPEC 112-42-3) / ELECTRO PLATED. MAT
- MATING PARTS SEE TE P/N2050723-X
- ELECTRICAL CONTRAL. OPEN CIRCUIT. SHORT CIRCUIT
- SYMBOL ■ DIMENSION IS SIGNIFICANT CHARACTERISTIC
 SYMBOL ☒ DIMENSION IS MAJOR CHARACTERISTIC



VIEW "X"
 ALL CODING SHOWN, MATING SIDE



| CODING | MATING SOLDER SIDE | | SOLDER SIDE | |
|--------|--------------------|--------------|--------------|--------------|
| | Dist. A (mm) | Dist. B (mm) | Dist. C (mm) | Dist. D (mm) |
| X | 13.2 | 13.2 | C-D | A |
| X | 13.2 | 13.2 | A-F | A |

| Dist. A (mm) | Dist. B (mm) | Dist. C (mm) | Dist. D (mm) | POS | QTY | DESCRIPTION | Rev | MATERIAL | SURFACE | RAL |
|--------------|--------------|--------------|--------------|-----|-----|--------------------------|-----|----------|-------------|------|
| X | X | 2 | 32 | | | AMPMODU MODU II PIN□0.63 | A | CuZn30 | TIN PLATING | 3 |
| X | X | 1 | 1 | | | 32P PIN HEADER HOUSING | A | PBT-GF15 | BLUE | 5012 |
| X | X | 1 | 1 | | | 32P PIN HEADER HOUSING | A | PBT-GF15 | GREEN | 6018 |
| -2 | -1 | POS | QTY | | | DESCRIPTION | Rev | MATERIAL | SURFACE | RAL |

| | | | |
|--|--------|-----------|-----------------------------------|
| OWN | E.XU | 30JUN2011 | TE Connectivity Shanghai China |
| CHK | R.DONG | 30JUN2011 | |
| APVD | L.YIN | 30JUN2011 | NAME |
| DIMENSIONS: | | | PRODUCT SPEC |
| TOLERANCES UNLESS OTHERWISE SPECIFIED: | | | APPLICATION SPEC |
| MATERIAL | | | WEIGHT |
| FINISH | | | CUSTOMER DRAWING |

| | | | | | | | | |
|------------------------|-------|-----|-------|---|----|---|-----|----|
| AMP 4805 REV 31MAR2000 | SCALE | 2:1 | SHEET | 1 | OF | 1 | REV | A3 |
|------------------------|-------|-----|-------|---|----|---|-----|----|