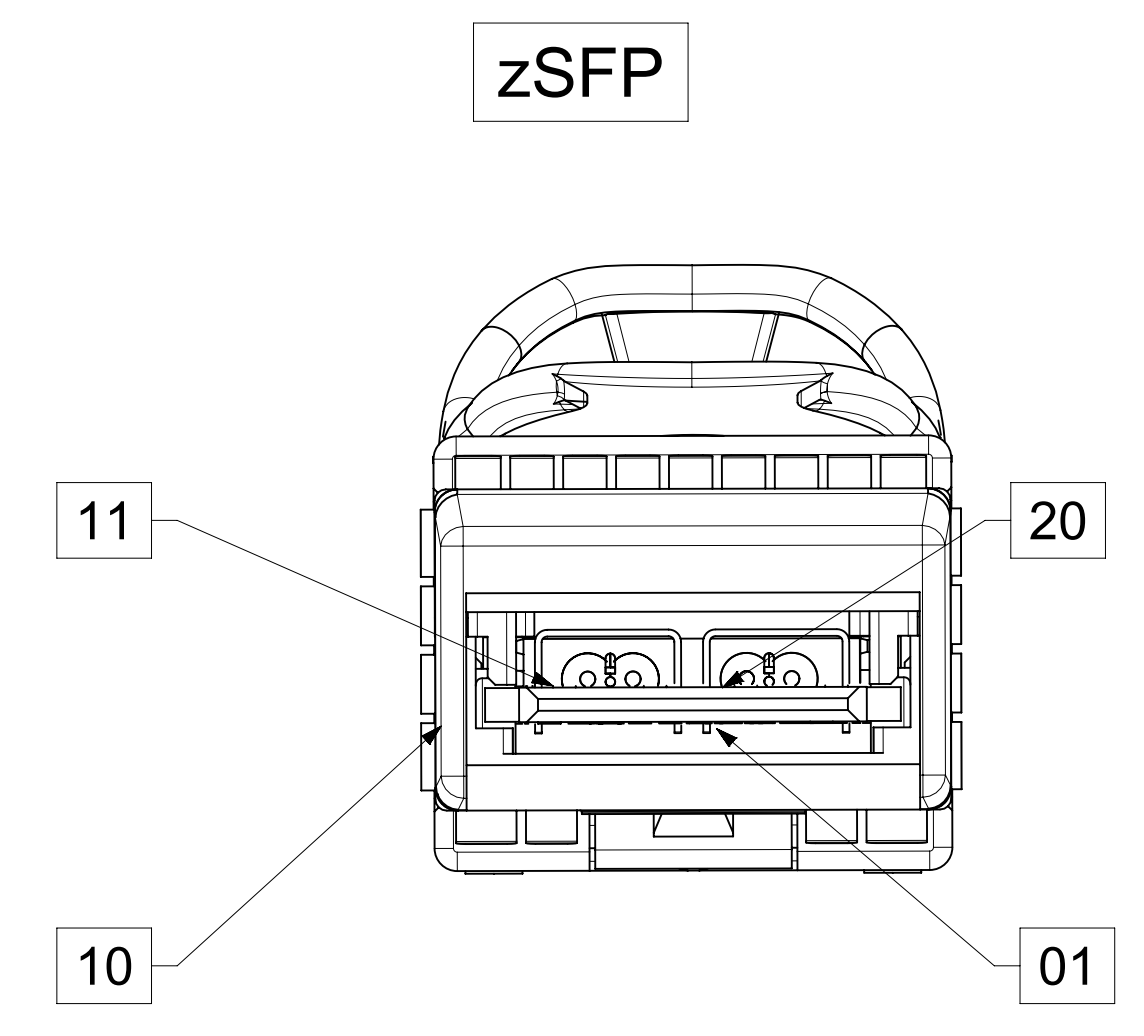
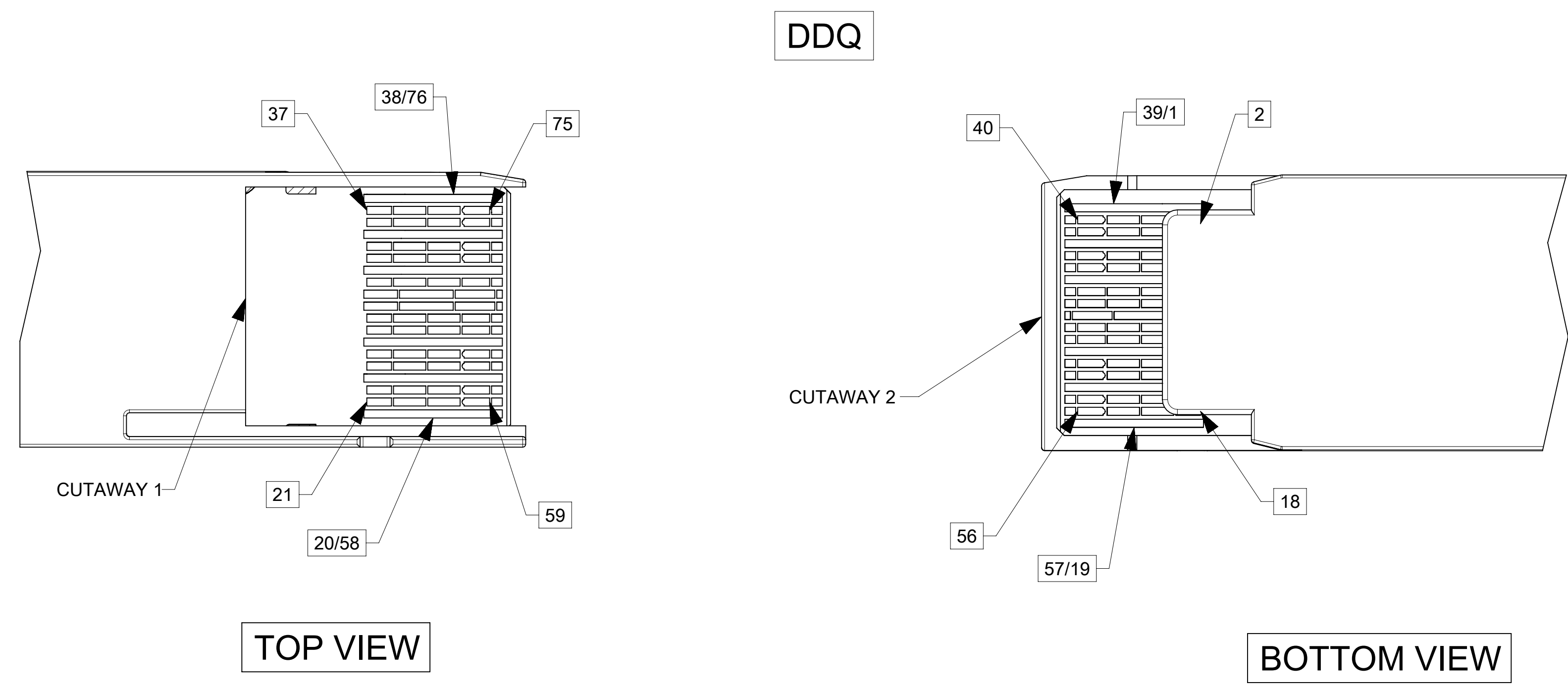


MOLEX P/N	LENGTH (M)	TOL. (MM)	AWG
2058561005	0.5	+/- 50	30
2058561010	1.0	+/- 50	30
2058561015	1.5	+/- 80	30
2058563005	0.5	+/- 50	28
2058563010	1.0	+/- 50	28
2058563015	1.5	+/- 80	28
2058563020	2.0	+/- 80	28
2058563025	2.5	+/- 80	28
2058563030	3.0	+/- 80	26

! TENTATIVE PROPOSAL
PENDING ELECTRICAL QUALIFICATION

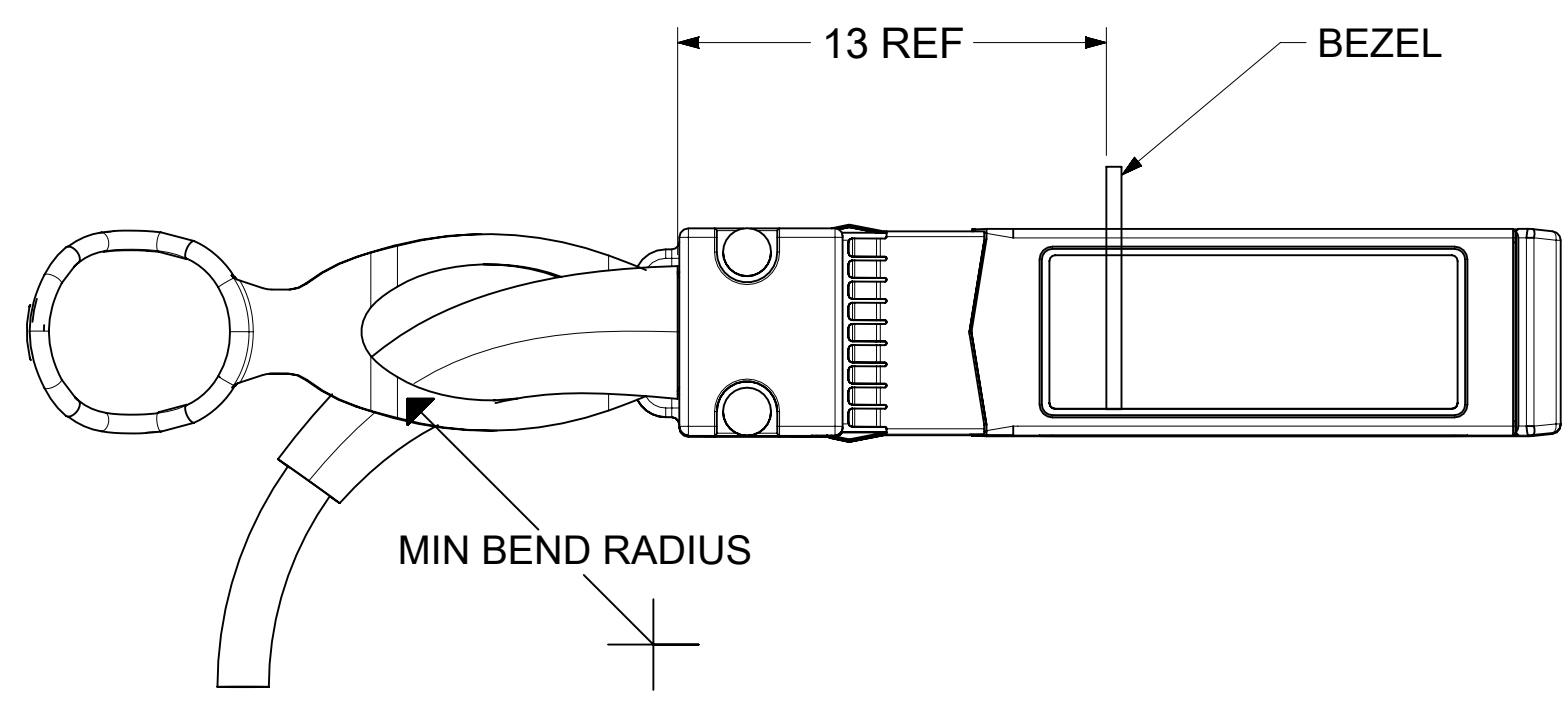
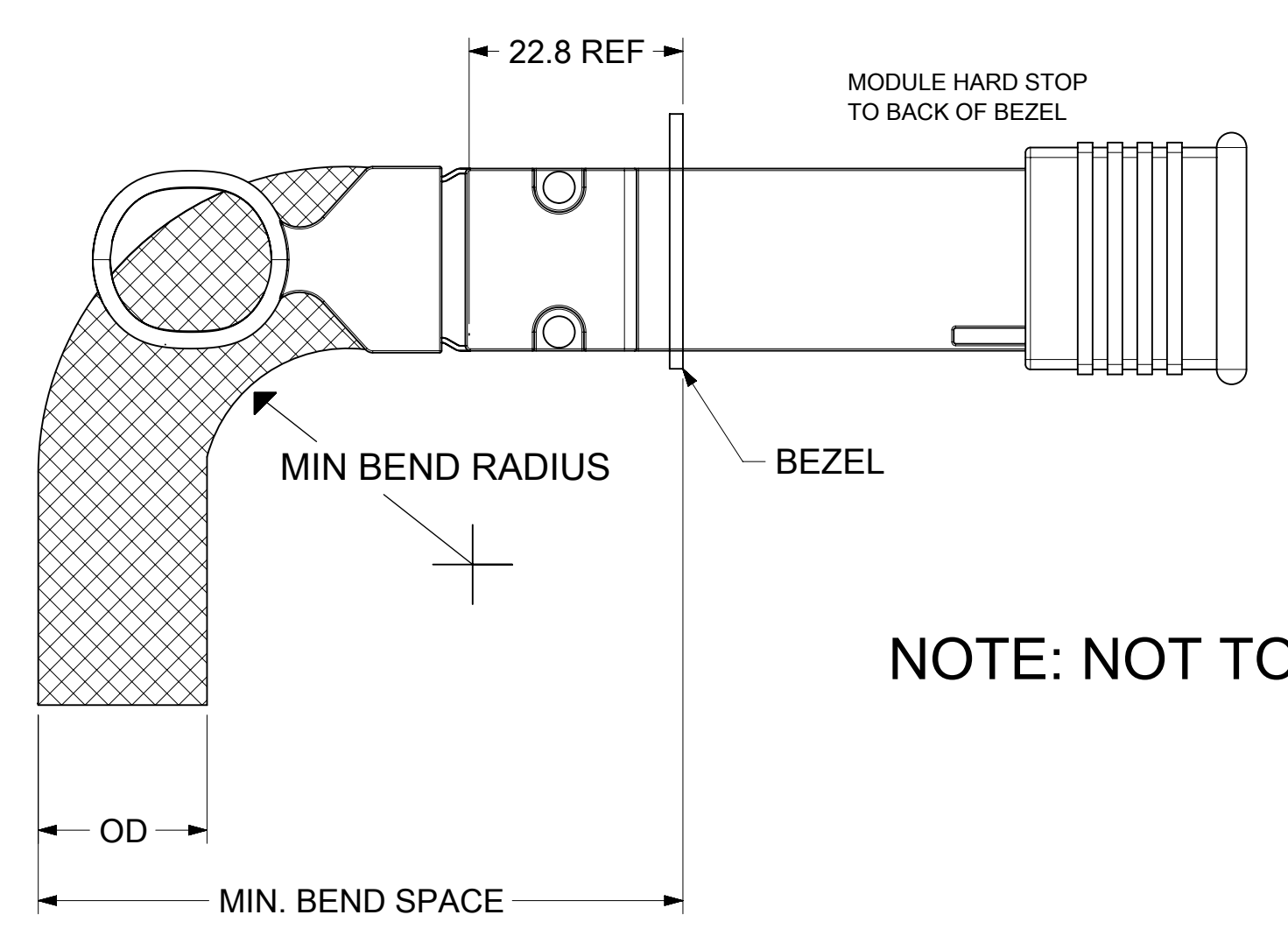
- NOTES:**
- MATERIALS**
BACKSHELLS - NICKEL PLATED ZINC
ZSFP END DE-LATCH - PLASTIC
DDQ END DE-LATCH - STAINLESS STEEL WITH OVERMOLDED NYLON
RIVETS - STAINLESS STEEL
 - EACH ASSEMBLY HAS A SERIAL ID
 - RoHS COMPLIANT, NO EXEMPTIONS.
 - CABLE LENGTH DEPENDS ON WIRE GAUGE, DATA RATE, AND HOST BOARD DRIVER CAPABILITIES
 - IMPEDANCE - 100 OHMS DIFFERENTIAL
 - CABLE IS UL RECOGNIZED PER UL AWM STYLE 21479
 - EEPROM MAP AVAILABLE UPON REQUEST

FUNCTIONAL SYMBOLS FA = 0 FC = 0 FP = 0	THIS DRAWING CONTAINS INFORMATION THAT IS PROPRIETARY TO MOLEX ELECTRONIC TECHNOLOGIES, LLC AND SHOULD NOT BE USED WITHOUT WRITTEN PERMISSION	DIMENSION UNITS: mm SCALE: 1:1.25	CURRENT REV DESC: SHT 2: ADDED 26AWG DETAILS IN BEND RADIUS TABLE			
	GENERAL TOLERANCES (UNLESS SPECIFIED) ANGULAR TOL ± °	EC NO: 667619 DRWN: SKAMATHN 2021/02/18 CHK'D: SCHANNARAYAN 2021/06/21 APPR: MGARRISON 2021/06/22	INITIAL REVISION: DRWN: ZDANDURAND 2017/10/25 APPR: ADTUCKER 2017/10/27			
DIVISIONAL SYMBOLS 4 PLACES ± 3 PLACES ± 2 PLACES ± 1 PLACE ± 0 PLACES ±	DRAFT WHERE APPLICABLE MUST REMAIN WITHIN DIMENSIONS	THIRD ANGLE PROJECTION	DRAWING: D-SIZE SERIES: 205856	DOCUMENT NUMBER: 2058561005 DOC TYPE: PSD DOC PART: 000 REVISION: L2	MATERIAL NUMBER: SEE P/N TABLE CUSTOMER: GENERAL MARKET	SHEET NUMBER: 1 OF 4



DDQ CABLE BEND RADIUS

SFP28 CABLE BEND RADIUS



NOTE: NOT TO SCALE

CABLE AWG	OD (mm)	MIN BEND RADIUS (mm)	MIN BEND SPACE (mm)
26	(13)	(45)	(77)
28	(11)	(66)	(89)
30	(9.4)	(47)	(79)

MINIMUM BEND RADIUS PENDING QUALIFICATION, NUMBERS ABOVE ARE ESTIMATES AND SUBJECT TO CHANGE.

AWG	O.D. (mm)	MIN BEND RADIUS (mm)	MIN BEND SPACE (mm)
26	5.1	(26)	(44)
28	5.2	(26)	(45)
30	4.83	(24)	(42)

MINIMUM BEND RADIUS PENDING QUALIFICATION, NUMBERS ABOVE ARE ESTIMATES AND SUBJECT TO CHANGE.

FUNCTIONAL SYMBOLS $F_A = 0$ $F_C = 0$ $F_P = 0$	THIS DRAWING CONTAINS INFORMATION THAT IS PROPRIETARY TO MOLEX ELECTRONIC TECHNOLOGIES, LLC AND SHOULD NOT BE USED WITHOUT WRITTEN PERMISSION	DIMENSION UNITS: mm SCALE: 2:1	CURRENT REV DESC: SHT 2: ADDED 26AWG DETAILS IN BEND RADIUS TABLE			
	GENERAL TOLERANCES (UNLESS SPECIFIED) ANGULAR TOL ± °	EC NO: 667619 DRWN: SKAMATHN 2021/02/18 CHK'D: SCHANNARAYAN 2021/06/21 APPR: MGARRISON 2021/06/22	INITIAL REVISION: DRWN: ZDANDURAND 2017/10/25 APPR: ADTUCKER 2017/10/27			
DIVISIONAL SYMBOLS 4 PLACES ± 3 PLACES ± 2 PLACES ± 1 PLACE ± 0 PLACES ±	DRAFT WHERE APPLICABLE MUST REMAIN WITHIN DIMENSIONS	THIRD ANGLE PROJECTION	DRAWING: D-SIZE SERIES: 205856	MATERIAL NUMBER: SEE P/N TABLE CUSTOMER: GENERAL MARKET	SHEET NUMBER: 2 OF 4	

WIRING DIAGRAM					
DDQ END			zSFP END		PORT
Pad	Signal		Pad	Signal	
35	GND	----		GND	1
36	TX1p	--->	13	RD+	
37	TX1n	--->	12	RD-	
16	GND	----		GND	
17	RX1p	<---	18	TD+	2
18	RX1n	<---	19	TD-	
1	GND	----		GND	
2	TX2n	--->	12	RD-	
3	TX2p	--->	13	RD+	3
20	GND	----		GND	
21	RX2n	<---	19	TD-	
22	RX2p	<---	18	TD+	
32	GND	----		GND	4
33	TX3p	--->	13	RD+	
34	TX3n	--->	12	RD-	
13	GND	----		GND	
14	RX3p	<---	18	TD+	5
15	RX3n	<---	19	TD-	
4	GND	----		GND	
5	TX4n	--->	12	RD-	
6	TX4p	--->	13	RD+	6
23	GND	----		GND	
24	RX4n	<---	19	TD-	
25	RX4p	<---	18	TD+	
7	GND	----		GND	7
19	GND	----		GND	
26	GND	----		GND	
38	GND	----		GND	

WIRING DIAGRAM					
DDQ END			zSFP END		PORT
Pad	Signal		Pad	Signal	
73	GND	----		GND	5
74	TX5p	--->	13	RD+	
75	TX5n	--->	12	RD-	
54	GND	----		GND	
55	RX5p	<---	18	TD+	6
56	RX5n	<---	19	TD-	
39	GND	----		GND	
40	TX6n	--->	12	RD-	
41	TX6p	--->	13	RD+	7
58	GND	----		GND	
59	RX6n	<---	19	TD-	
60	RX6p	<---	18	TD+	
70	GND	----		GND	8
71	TX7p	--->	13	RD+	
72	TX7n	--->	12	RD-	
51	GND	----		GND	
52	RX7p	<---	18	TD+	9
53	RX7n	<---	19	TD-	
42	GND	----		GND	
43	TX8n	--->	12	RD-	
44	TX8p	--->	13	RD+	10
61	GND	----		GND	
62	RX8n	<---	19	TD-	
63	RX8p	<---	18	TD+	
45	GND	----		GND	11
57	GND	----		GND	
64	GND	----		GND	
76	GND	----		GND	

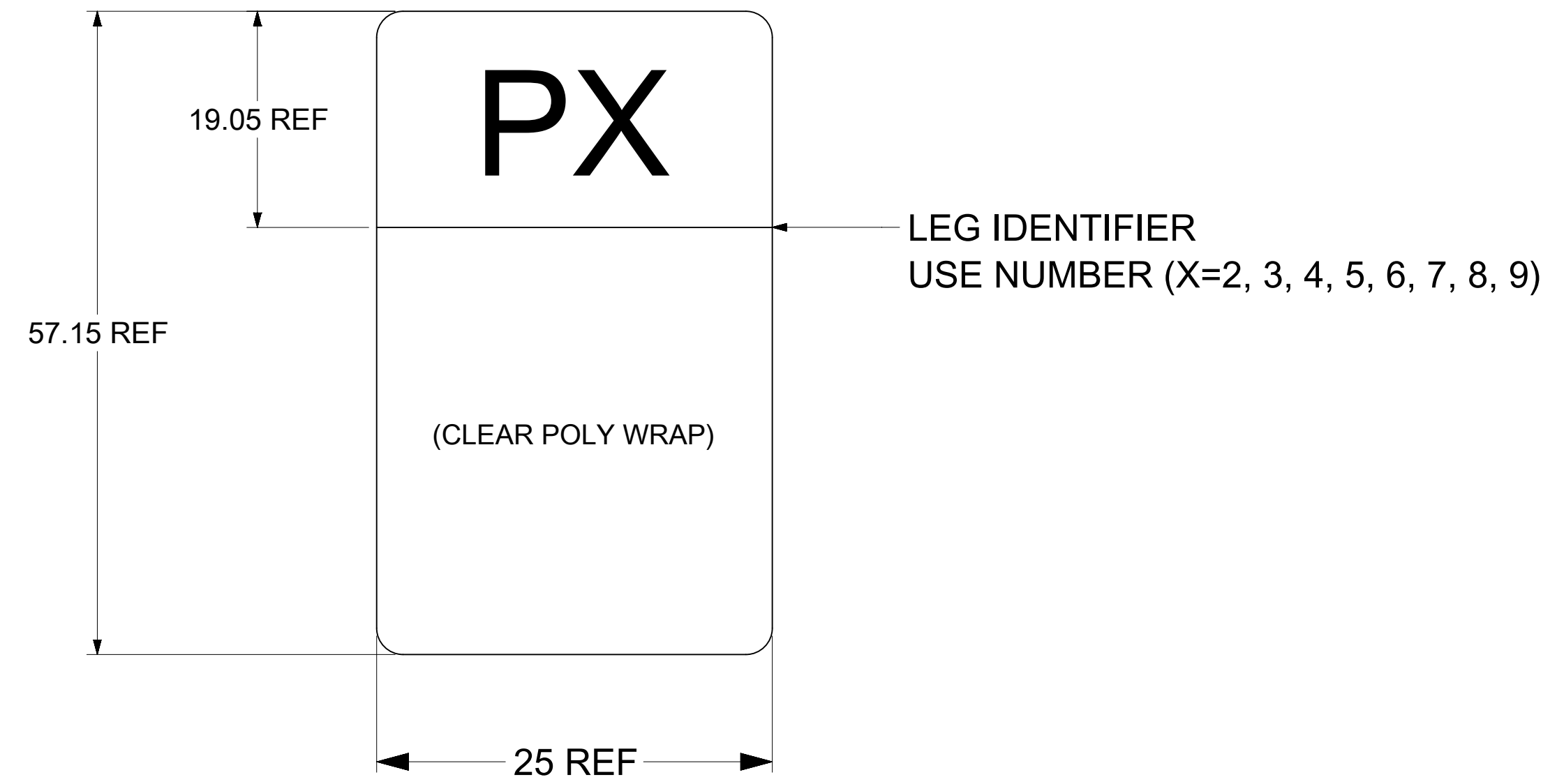
LEGEND:

---- = DRAIN LINES

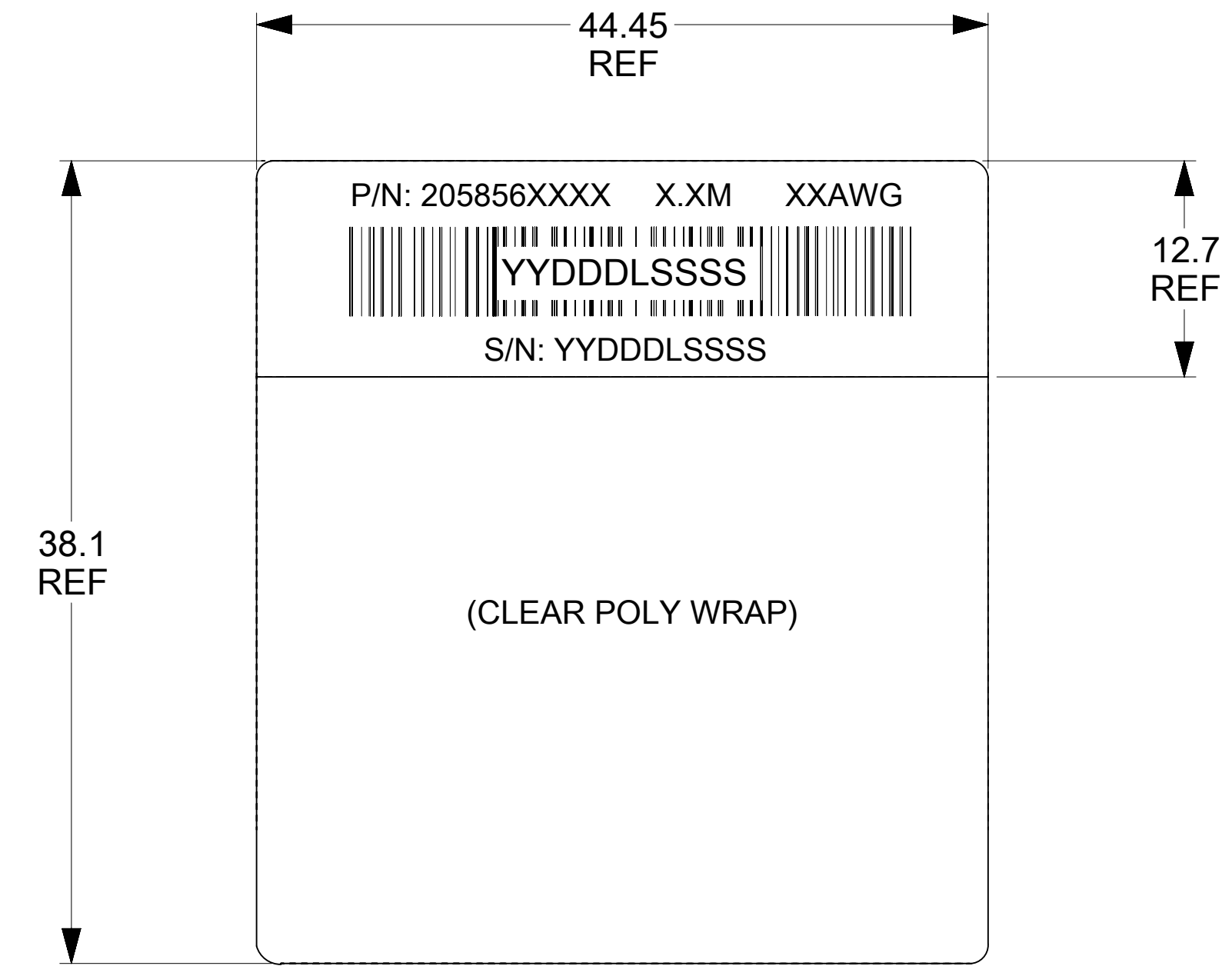
---> = TRANSMIT TO RECEIVE ON HIGH SPEED CIRCUITS

FUNCTIONAL SYMBOLS FA = 0 FC = 0 FP = 0 DIVISIONAL SYMBOLS	THIS DRAWING CONTAINS INFORMATION THAT IS PROPRIETARY TO MOLEX ELECTRONIC TECHNOLOGIES, LLC AND SHOULD NOT BE USED WITHOUT WRITTEN PERMISSION		CURRENT REV DESC: SHT 2: ADDED 26AWG DETAILS IN BEND RADIUS TABLE		 QSF-DD-8ZSFP 56G CABLE ASSEMBLY PRODUCT CUSTOMER DRAWING			
	DIMENSION UNITS mm	SCALE 1:1	GENERAL TOLERANCES (UNLESS SPECIFIED) ANGULAR TOL ± °			EC NO: 667619 DRWN: SKAMATHN 2021/02/18 CHK'D: SCHANNARAYAN 2021/06/21 APPR: MGARRISON 2021/06/22		
	4 PLACES ± 3 PLACES ± 2 PLACES ± 1 PLACE ± 0 PLACES ±	INITIAL REVISION: DRWN: ZDANDURAND 2017/10/25 APPR: ADTUCKER 2017/10/27		DOCUMENT NUMBER 2058561005		DOC TYPE PSD	DOC PART 000	REVISION L2
	DRAFT WHERE APPLICABLE MUST REMAIN WITHIN DIMENSIONS		THIRD ANGLE PROJECTION 	DRAWING D-SIZE		SERIES 205856	MATERIAL NUMBER SEE P/N TABLE	CUSTOMER GENERAL MARKET

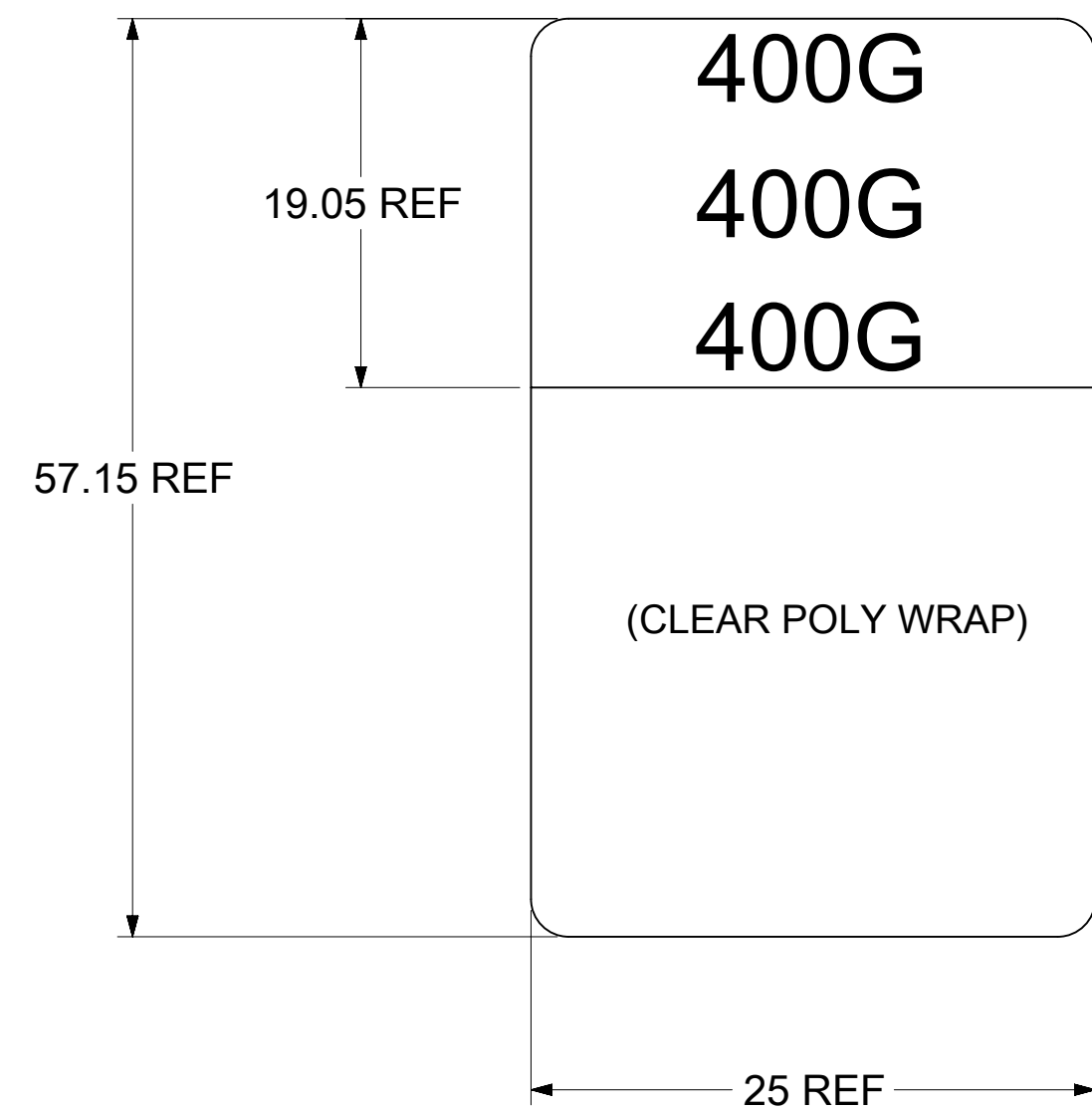
LEG ID LABEL



LABEL DETAILS



SPEED LABEL



P/N: 205856XXXX - MOLEX PART NUMBER (SEE P/N TABLE)

- X.XM - CABLE LENGTH IN METERS (EXAMPLES - 0.5M, 1.0M)
- XXAWG - CABLE SIZE IN AWG (SEE P/N TABLE)
- S/N: YYDDDLSSSS - SERIAL NUMBER
- YY - YEAR, THE LAST 2 DIGITS OF YEAR
- DDD - DAY OF THE YEAR
- L - LOCATION
- 1 - USA
- 2 - MEXICO
- 3 - CHINA
- 4 - PHILIPPINES
- SSSS - SERIAL NUMBER (0001-9999)

FUNCTIONAL SYMBOLS $F_A = 0$ $F_C = 0$ $F_P = 0$	THIS DRAWING CONTAINS INFORMATION THAT IS PROPRIETARY TO MOLEX ELECTRONIC TECHNOLOGIES, LLC AND SHOULD NOT BE USED WITHOUT WRITTEN PERMISSION		CURRENT REV DESC: SHT 2: ADDED 26AWG DETAILS IN BEND RADIUS TABLE				
	DIMENSION UNITS	SCALE	EC NO: 667619				
	mm	1:1	DRWN: SKAMATHN 2021/02/18				
	GENERAL TOLERANCES (UNLESS SPECIFIED)		CHK'D: SCHANNARAYAN 2021/06/21				
DIVISIONAL SYMBOLS	ANGULAR TOL	± °	APPR: MGARRISON 2021/06/22		PRODUCT CUSTOMER DRAWING DOCUMENT NUMBER: 2058561005 DOC TYPE: PSD DOC PART: 000 REVISION: L2		
	4 PLACES	±	INITIAL REVISION:				
	3 PLACES	±	DRWN: ZDANDURAND 2017/10/25				
	2 PLACES	±	APPR: ADTUCKER 2017/10/27				
DRAFT WHERE APPLICABLE MUST REMAIN WITHIN DIMENSIONS		THIRD ANGLE PROJECTION	DRAWING	SERIES	MATERIAL NUMBER	CUSTOMER	SHEET NUMBER
			D-SIZE	205856	SEE P/N TABLE	GENERAL MARKET	4 OF 4