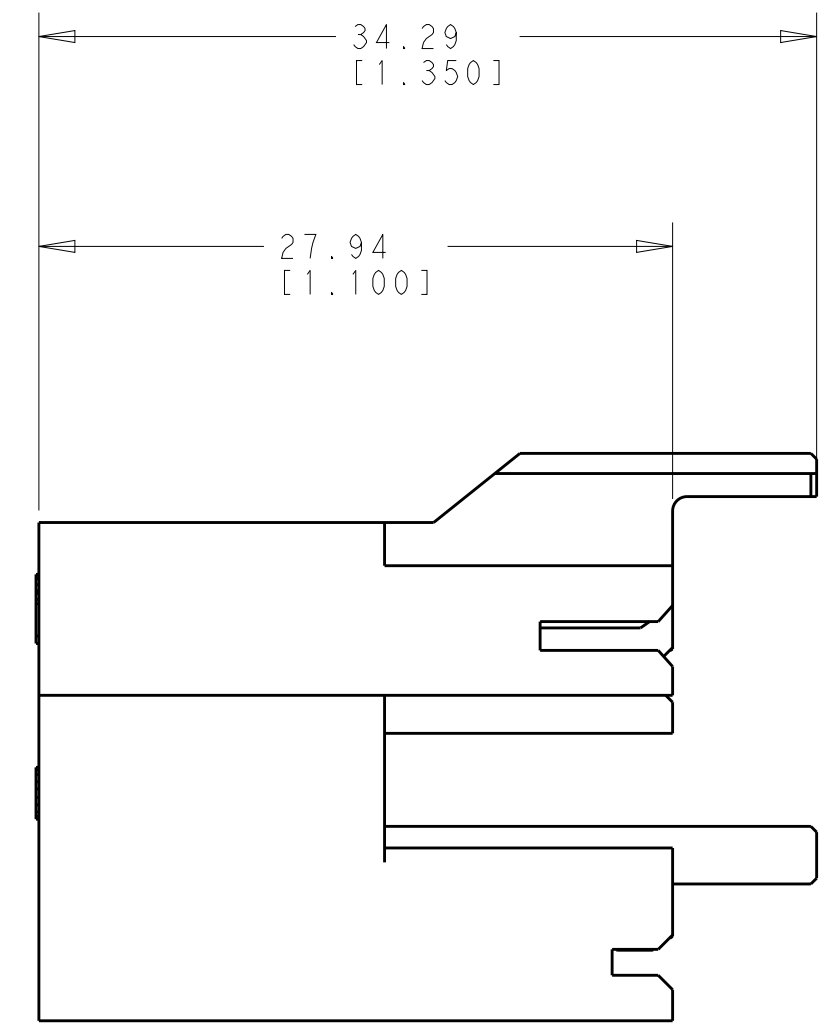
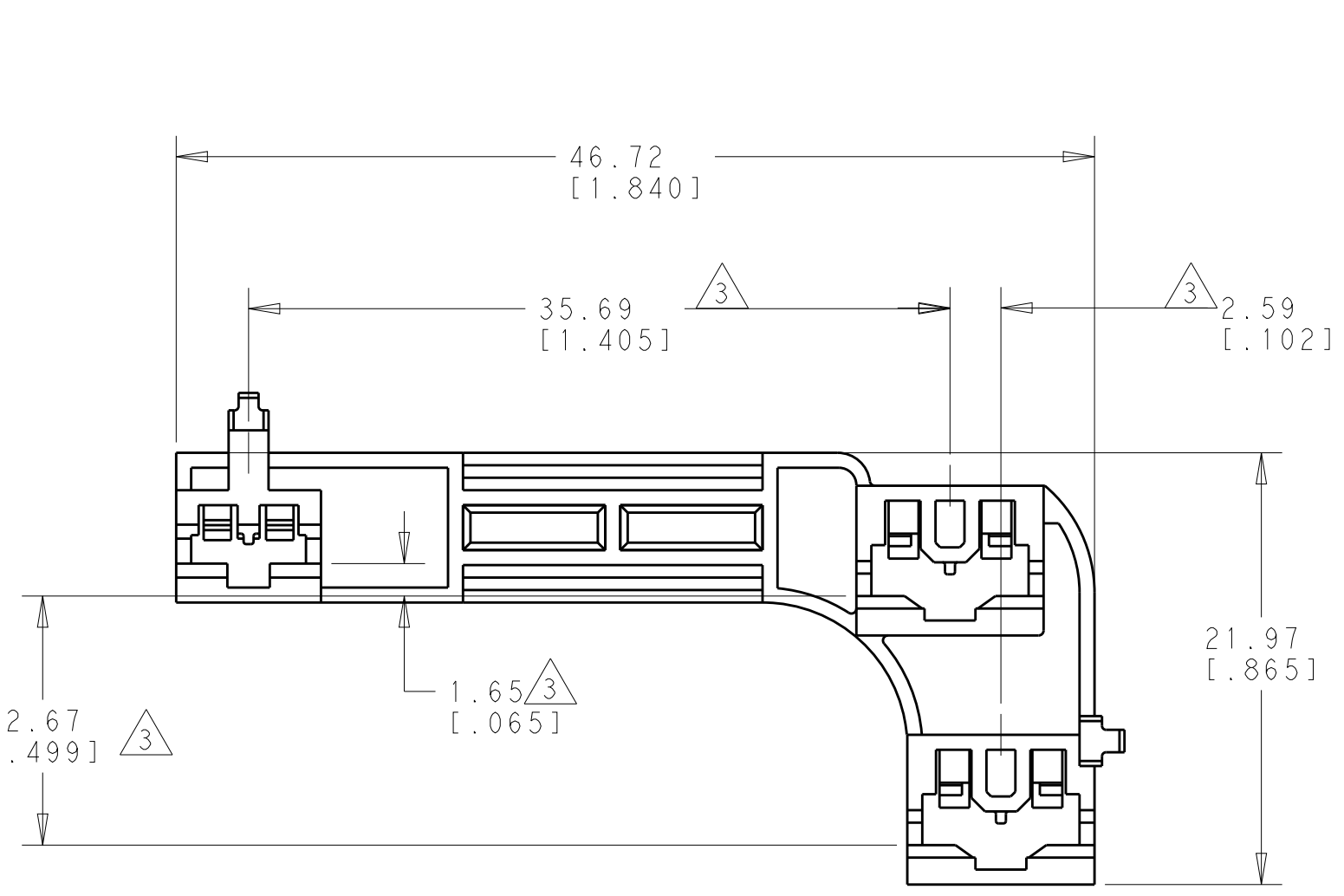
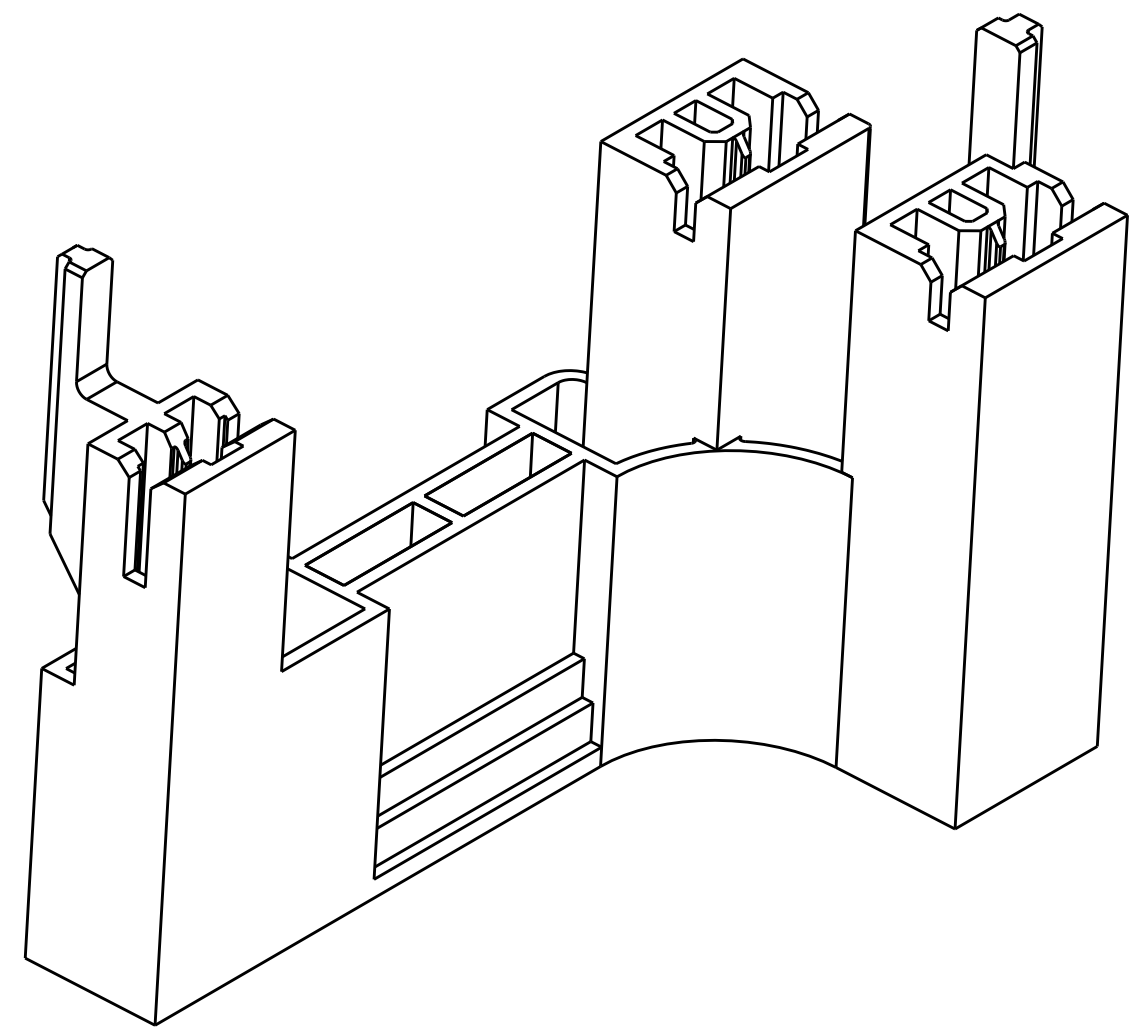
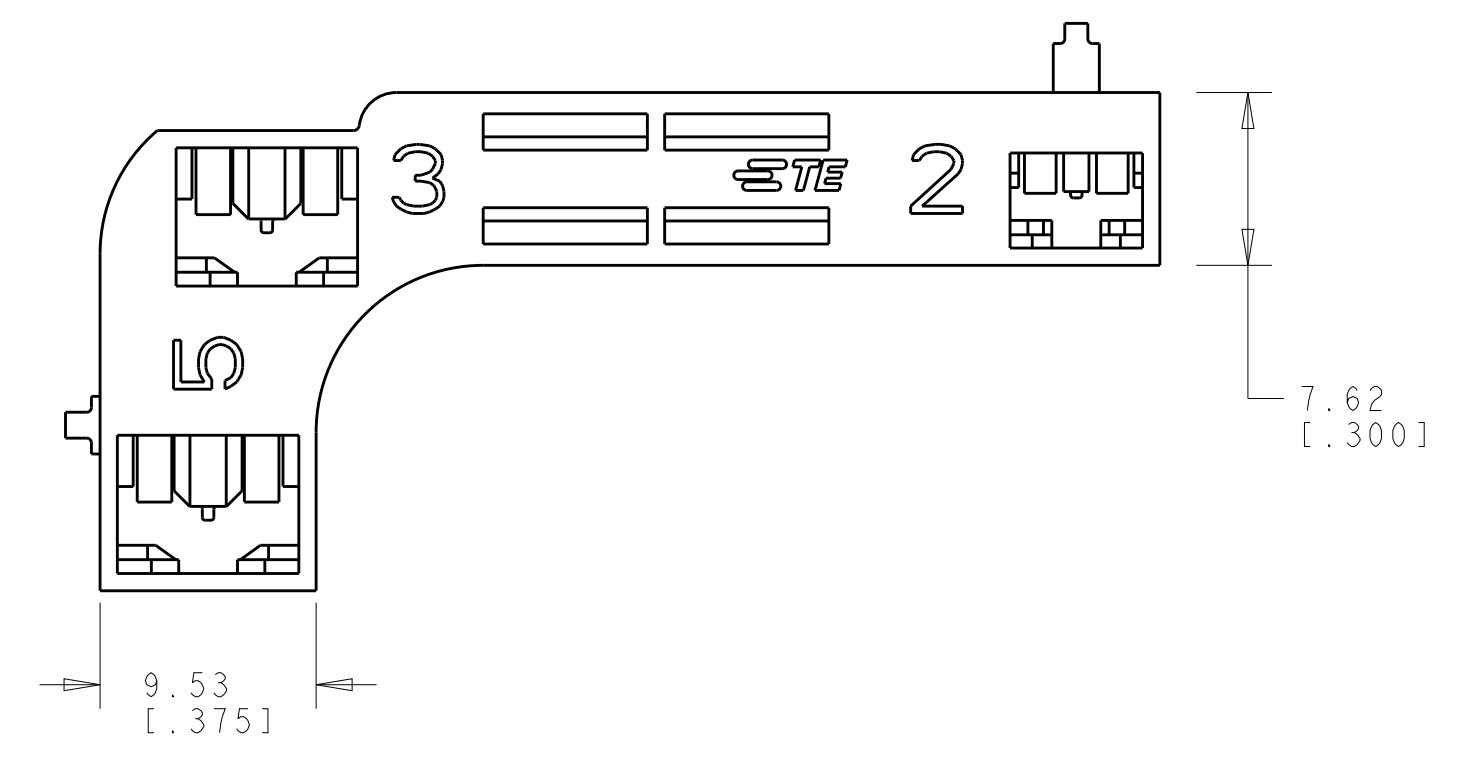


THIS DRAWING IS UNPUBLISHED. RELEASED FOR PUBLICATION
 © COPYRIGHT - BY - TE CONNECTIVITY ALL RIGHTS RESERVED.

REVISIONS					
P	LTR	DESCRIPTION	DATE	DWN	APVD
	A2	REVISED PER ECO-19-012700	16AUG2019	RS	LB



- USE WITH 250 SERIES MARK II POSITIVE LOCK TERMINALS 2238155, 2238156 OR 170329 AND 187 SERIES MARK II POSITIVE LOCK TERMINAL 173691
 - NOTE DELETED
- 3 SWITCH RECOMMENDED TAB LAYOUT TO BE WITHIN ± 0.127 [.005] OF TE HOUSING CENTERLINES AND CONFORM TO .250 X .032 AND .187 X .032 UL 310 DIMENSIONS



V0, 130C	NATURAL	1969870-1
RATINGS	COLOR	PART NUMBER

THIS DRAWING IS A CONTROLLED DOCUMENT.		DWN 17FEB2017 BASVESH WARAD	TE Connectivity	
DIMENSIONS: mm [INCHES]		CHK 17FEB2017 DIDONATO, MICHAEL	NAME 3 POS POSITIVE LOCK 250 & 187 MARK II	
TOLERANCES UNLESS OTHERWISE SPECIFIED:		APVD 17FEB2017 DIDONATO, MICHAEL	SIZE	RESTRICTED TO
0 PLC	±	PRODUCT SPEC	A2	-
1 PLC	±	APPLICATION SPEC	CAGE CODE	DRAWING NO
2 PLC	±0.38 [.015]	WEIGHT	A200779	C-1969870
3 PLC	±	CUSTOMER DRAWING	SCALE	SHEET
4 PLC	±		3:1	1 OF 1
ANGLES	±5°			REV A2
FINISH	-			
MATERIAL	NYLON			