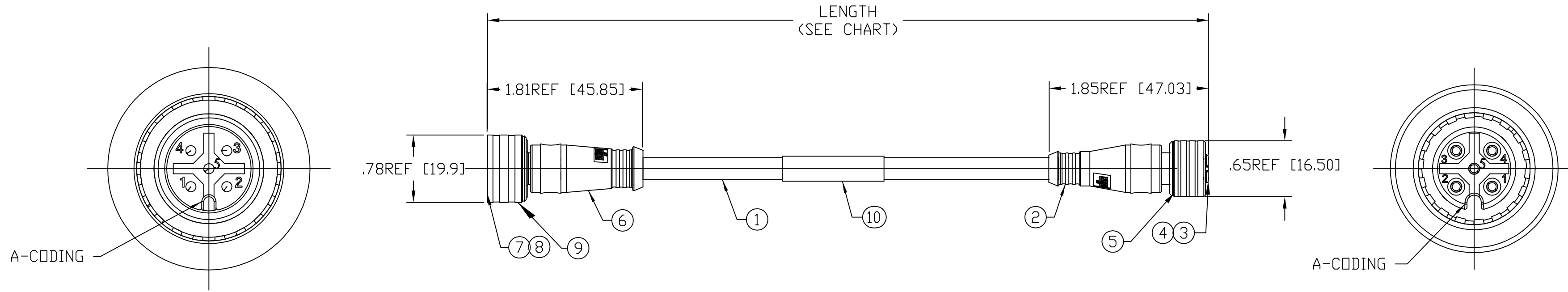
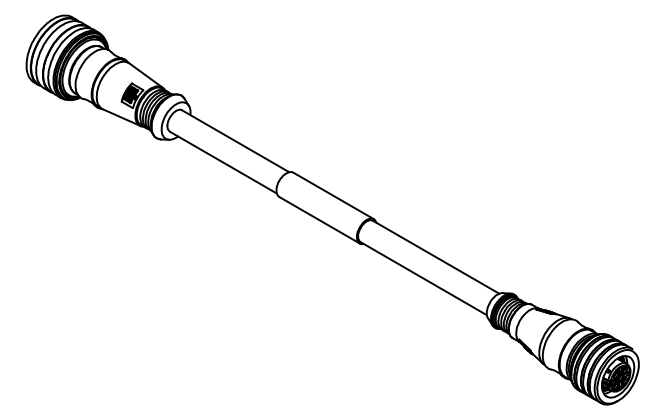


| PART NUMBER | ENGINEERING NO. | LENGTH |
|-------------|-----------------|-----------------------------------|
| 1200805054 | WW4030K05M006 | 2' 0" +1.8 - 0 [.6M +45MM - 0] |
| 1200800417 | WW4030K05M010 | 3' 3" +2.2 - 0 [1M +55MM - 0] |
| 1200800406 | WW4030K05M020 | 6' 6" +3.5" - 0 [2M +90MM - 0] |
| 1200805055 | WW4030K05M030 | 9' 8" +3.5" - 0 [3M +90MM - 0] |
| 1200800405 | WW4030K05M040 | 13' 1" +6.5" - 0 [4M +150MM - 0] |
| 1200800404 | WW4030K05M050 | 16' 4" +6.5" - 0 [5M +150MM - 0] |



- NOTES:
- 1) MATERIAL: SEE TABLE
 - 2) FINISHES: SEE TABLE
 - 3) WRAP LABEL IS MARKED WITH P/N, DATE CODE, VOLTAGE & AMPERAGE.
 - 4) MATES WITH: MICRO CHANGE, 4 POLE RECEPTACLE
 - 5) ELECTRICAL DATA:
 INLINE CORDSET
 MALE A-CODING TO FEMALE A-CODING
 22AWG UNSHIELDED
 POLES: 4
 MAX. VOLTAGE: 250V
 MAX. CURRENT 4A
 CONTACT RESISTANCE: <5M Ohm
 PROTECTION IP67/68/69K
 TEMPERATURE RANGE: -20°C TO 105°C
 - 6) PACKAGING:
 CABLE ASSEMBLIES ARE BAGGED SEPERATELY
 IN POLY BAGS WITH BAR CODE LABEL ATTACHED
 TO OUTSIDE OF BAG.
 - 7) ASSEMBLY IS RoHS COMPLIANT.

| P1 | | P2 |
|----|-------|----|
| 1 | BROWN | 1 |
| 2 | WHITE | 2 |
| 3 | BLUE | 3 |
| 4 | BLACK | 4 |

WIRING DIAGRAM

| ITEM | QTY. | DESCRIPTION | MATERIAL | FINISH |
|------|------|---------------------|--------------|---------------|
| 10 | 1 | LABEL | PLASTIC FILM | BLACK/YELLOW |
| 9 | 1 | MALE COUPLING NUT | BRASS | NICKEL PLATED |
| 8 | 4 | PIN CONTACT | COPPER ALLOY | GOLD PLATED |
| 7 | 1 | MALE INSERT | PUR | BLACK |
| 6 | 1 | MALE OVERMOLD | PUR | YELLOW |
| 5 | 1 | FEMALE COUPLING NUT | BRASS | NICKEL PLATED |
| 4 | 4 | SOCKET CONTACT | COPPER ALLOY | GOLD PLATED |
| 3 | 1 | FEMALE INSERT | PUR | BLACK |
| 2 | 1 | FEMALE OVERMOLD | PUR | YELLOW |
| 1 | 1 | CABLE, 22AWG-4 | TPE JACKET | YELLOW |

| RELEASE EC NO: WEU2010-0062 DRWN: BWOODMAN 8/19/09 CH'KD: LH APPR: JFMURPHY 2009/08/21 | DESCRIPTION REV | QUALITY SYMBOL ▽=0 ▽C=0 | GENERAL TOLERANCES (UNLESS SPECIFIED) <table border="1"> <thead> <tr> <th></th> <th>mm</th> <th>INCH</th> </tr> </thead> <tbody> <tr> <td>4 PLACES</td> <td>±----</td> <td>±---</td> </tr> <tr> <td>3 PLACES</td> <td>±.005</td> <td>±.005</td> </tr> <tr> <td>2 PLACES</td> <td>±.013</td> <td>±.010</td> </tr> <tr> <td>1 PLACE</td> <td>±.025</td> <td>±.020</td> </tr> </tbody> </table> | | mm | INCH | 4 PLACES | ±---- | ±--- | 3 PLACES | ±.005 | ±.005 | 2 PLACES | ±.013 | ±.010 | 1 PLACE | ±.025 | ±.020 | DIMENSION STYLE IN/MM | SCALE 1:1 DESIGN UNITS INCH | THIRD ANGLE PROJECTION |
|--|--------------------|--------------------------------------|--|--|----|------|----------|-------|------|----------|-------|-------|----------|-------|-------|---------|-------|-------|---------------------------------|--------------------------------|------------------------|
| | | | mm | INCH | | | | | | | | | | | | | | | | | |
| | | 4 PLACES | ±---- | ±--- | | | | | | | | | | | | | | | | | |
| | | 3 PLACES | ±.005 | ±.005 | | | | | | | | | | | | | | | | | |
| 2 PLACES | ±.013 | ±.010 | | | | | | | | | | | | | | | | | | | |
| 1 PLACE | ±.025 | ±.020 | | | | | | | | | | | | | | | | | | | |
| | | | DRAWN BY BW DATE 2009/08/19 CHECKED BY LH DATE 2009/08/19 APPROVED BY _____ DATE _____ | TITLE MICRO CHANGE ULTRA LOCK 4-P MALE/FEMALE ST/ST 22/4 AWG TPE | | | | | | | | | | | | | | | | | |
| | | | MATERIAL NO. SEE CHART | MOLEX INCORPORATED DOCUMENT NO. SD-120080-008 | | | | | | | | | | | | | | | | | |
| | | | DRAFT WHERE APPLICABLE MUST REMAIN WITHIN DIMENSIONS | SHEET NO. 1 OF 1 | | | | | | | | | | | | | | | | | |

THIS DRAWING CONTAINS INFORMATION THAT IS PROPRIETARY TO MOLEX INCORPORATED AND SHOULD NOT BE USED WITHOUT WRITTEN PERMISSION