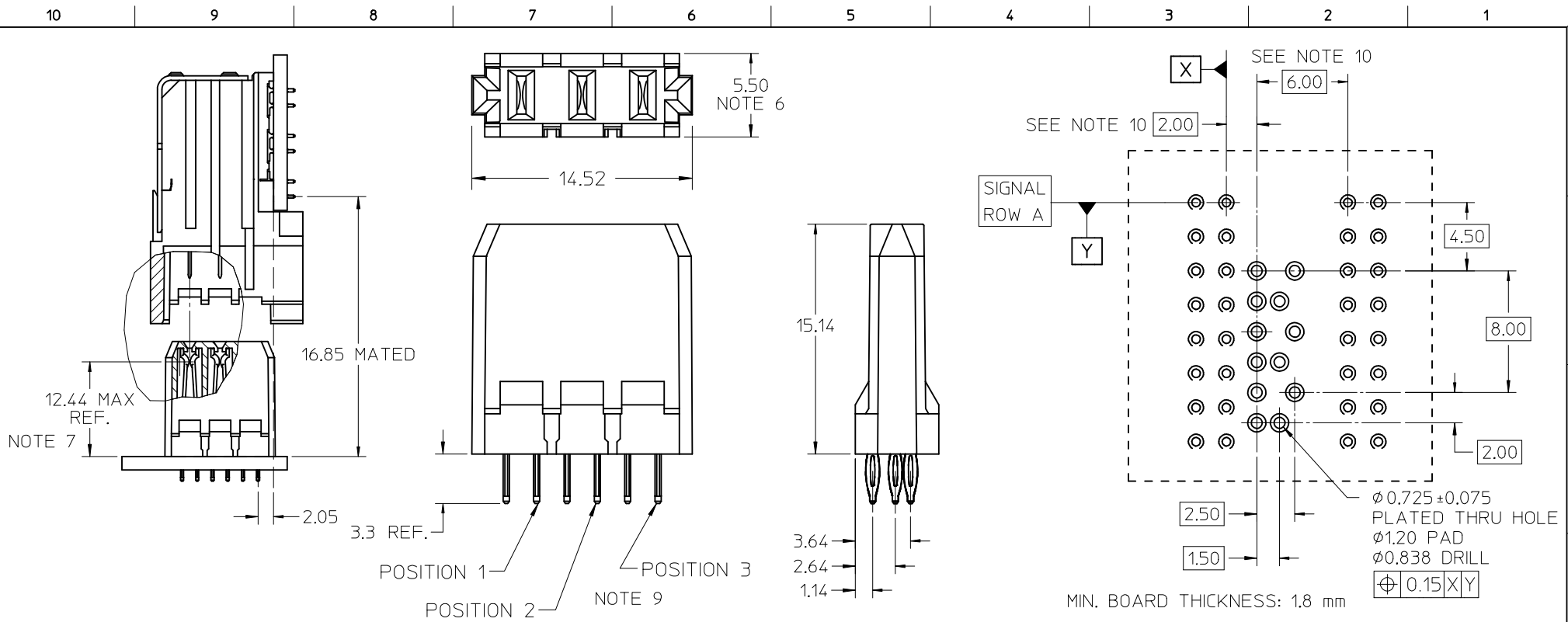


- NOTES:
- MATERIALS:  
HOUSING - LIQUID CRYSTAL POLYMER (LCP)  
UL94 V-0 RATED, COLOR: BLACK  
TERMINAL - COPPER ALLOY
  - FINISH: 30 MICROINCHES MINIMUM GOLD ON MATING SURFACE;  
MATTE TIN (Sn) ON TAILS; NICKEL OVERALL.
  - FINISH: 50 MICROINCHES MINIMUM GOLD ON MATING SURFACE;  
MATTE TIN (Sn) ON TAILS; NICKEL OVERALL.
  - FINISH: 50 MICROINCHES MINIMUM GOLD ON MATING SURFACE;  
TIN / LEAD (Sn/Pb) ON TAILS; NICKEL OVERALL.
  - THIS PART CONFORMS TO PRODUCT SPECIFICATION  
PS-74031-999.
  - USE 6.00 mm NOMINAL FOR BACKPLANE LAYOUT.
  - DIMENSION MEASURED FROM BOTTOM OF HOUSING.
  - PACKED PER PK-70873-0876.
  - CONTACT NOT PRESENT AT POSITION ON -84\*\* ASSEMBLIES.
  - THIS DIMENSION TO BE MULTIPLE OF 2.00 mm AS REQUIRED.

TIN / LEAD PLATING				MATTE TIN PLATING			
ASSEMBLY #	CONTACT PLATING	OPEN LOC.	# CONTACTS	ASSEMBLY #	CONTACT PLATING	OPEN LOC.	# CONTACTS
74029-8950	SEE NOTE 4	N/A	3	74029-8000	SEE NOTE 2	N/A	3
				74029-8050	SEE NOTE 3	N/A	
				74029-8400	SEE NOTE 2	POS. 2	2
				74029-8450	SEE NOTE 3	POS. 2	
				74029-8401	SEE NOTE 2	POS. 1	
				74029-8451	SEE NOTE 3	POS. 1	
				74029-8403	SEE NOTE 2	POS. 3	
				74029-8453	SEE NOTE 3	POS. 3	

ADD LEADED P/N EC NO: UCP2013-0146 DRWNS:VANG01 2012/07/13 CHKD:MMOLFE 2012/07/13 APPR:SMILLER 2012/08/06	QUALITY SYMBOLS	GENERAL TOLERANCES (UNLESS SPECIFIED)	DIMENSION STYLE MM ONLY	SCALE 4:1	DESIGN UNITS METRIC	THIRD ANGLE PROJECTION
	$\nabla F=0$	4 PLACES $\pm$ --- $\pm$ ---	DRAWN BY DATE ELO 2001/10/04	TITLE	HSD 8 ROW POWER BACKPLANE SALES DRAWING	
	$\nabla E=0$	3 PLACES $\pm$ --- $\pm$ ---	CHECKED BY DATE GORSKI 2001/10/05			
	$\nabla F=0$	2 PLACES $\pm 0.25$ $\pm$ ---	APPROVED BY DATE BIXLER 2001/10/08	MATERIAL NO.	DOCUMENT NO.	SHEET NO.
	1 PLACE $\pm 0.38$ $\pm$ ---		SEE TABLE	SD-74029-009	1 OF 1	
	0 PLACE $\pm$ $\pm$	ANGULAR $\pm 5^\circ$				
		DRAFT WHERE APPLICABLE MUST REMAIN WITHIN DIMENSIONS	THIS DRAWING CONTAINS INFORMATION THAT IS PROPRIETARY TO MOLEX INCORPORATED AND SHOULD NOT BE USED WITHOUT WRITTEN PERMISSION			



- NOTES:
- MATERIALS:  
HOUSING - LIQUID CRYSTAL POLYMER (LCP)  
UL94 V-0 RATED, COLOR: BLACK  
TERMINAL - COPPER ALLOY
  - FINISH: 30 MICROINCHES MINIMUM GOLD ON MATING SURFACE;  
MATTE TIN (Sn) ON TAILS; NICKEL OVERALL.
  - FINISH: 50 MICROINCHES MINIMUM GOLD ON MATING SURFACE;  
MATTE TIN (Sn) ON TAILS; NICKEL OVERALL.
  - FINISH: 50 MICROINCHES MINIMUM GOLD ON MATING SURFACE;  
TIN / LEAD (Sn/Pb) ON TAILS; NICKEL OVERALL.
  - THIS PART CONFORMS TO PRODUCT SPECIFICATION  
PS-74031-999.
  - USE 6.00 mm NOMINAL FOR BACKPLANE LAYOUT.
  - DIMENSION MEASURED FROM BOTTOM OF HOUSING.
  - PACKED PER PK-70873-0876.
  - CONTACT NOT PRESENT AT POSITION ON -84\*\* ASSEMBLIES.
  - THIS DIMENSION TO BE MULTIPLE OF 2.00 mm AS REQUIRED.

TIN / LEAD PLATING				MATTE TIN PLATING			
ASSEMBLY #	CONTACT PLATING	OPEN LOC.	# CONTACTS	ASSEMBLY #	CONTACT PLATING	OPEN LOC.	# CONTACTS
74029-8950	SEE NOTE 4	N/A	3	74029-8000	SEE NOTE 2	N/A	3
				74029-8050	SEE NOTE 3	N/A	
				74029-8400	SEE NOTE 2	POS. 2	2
				74029-8450	SEE NOTE 3	POS. 2	
				74029-8401	SEE NOTE 2	POS. 1	
				74029-8451	SEE NOTE 3	POS. 1	
				74029-8403	SEE NOTE 2	POS. 3	
				74029-8453	SEE NOTE 3	POS. 3	

ADD LEADED P/N EC NO: UCP2013-0146 DRWNS:VANG01 2012/07/13 CHKD:MMOLFE 2012/07/13 APPR:SMILLER 2012/08/06	QUALITY SYMBOLS	GENERAL TOLERANCES (UNLESS SPECIFIED)	DIMENSION STYLE MM ONLY	SCALE 4:1	DESIGN UNITS METRIC	THIRD ANGLE PROJECTION
	$\nabla F=0$	4 PLACES ± --- ± ---	DRAWN BY DATE ELO 2001/10/04	TITLE	<b>HSD 8 ROW POWER BACKPLANE SALES DRAWING</b> <b>molex</b> DOCUMENT NO. SD-74029-009 SHEET NO. 1 OF 1	
	$\nabla E=0$	3 PLACES ± --- ± ---	CHECKED BY DATE GORSKI 2001/10/05			
	$\nabla F=0$	2 PLACES ± 0.25 ± ---	APPROVED BY DATE BIXLER 2001/10/08			
$\nabla E=0$	1 PLACE ± 0.38 ± ---	MATERIAL NO. SEE TABLE				
		0 PLACE ± ±				
		ANGULAR ± 5 °				
		DRAFT WHERE APPLICABLE MUST REMAIN WITHIN DIMENSIONS	SIZE B	THIS DRAWING CONTAINS INFORMATION THAT IS PROPRIETARY TO MOLEX INCORPORATED AND SHOULD NOT BE USED WITHOUT WRITTEN PERMISSION		