

- 注記 NOTES**
- △ 接点部までの嵌合長さ。 LENGTH TO CONTACT POINT.
 - △ FPC挿入深さ。 INSERTION DEPTH OF FPC
 - 2. 使用材料 MATERIAL
 - ハウジング : 46ナイロン, UL94V-0
 - ハウジング : 46NYLON, UL94V-0
 - アクチュエータ : PPS, UL94V-0
 - アクチュエータ : PPS, UL94V-0
 - ターミナル : リン青銅 (t=0.25)
 - ターミナル : PHOS-BRO.(t=0.25)
 - メッキ : Sn-Pb(9:1), 下地Cu
 - メッキ : Sn-Pb(9:1), Cu(UNDER PLATING)
 - 金具 : 銅合金 (t=0.25)
 - 金具 : COPPER ALLOY (t=0.25)
 - メッキ : Sn-Pb(9:1), 下地Cu
 - メッキ : Sn-Pb(9:1), Cu(UNDER PLATING)
 - △ パターンはくり止め用金具。 FITTING NAIL FOR PREVENTION OF PEELING OF P.C.B.PATTERN.
 - 4. エンボステープ梱包時は、アクチュエータがロックした状態とする。 WHEN CONNECTOR IS SHIPPED, ACTUATOR SHOULD BE LOCKED.

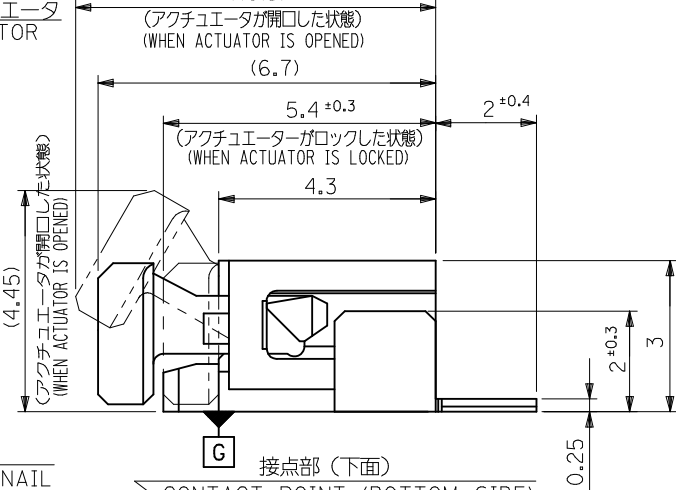
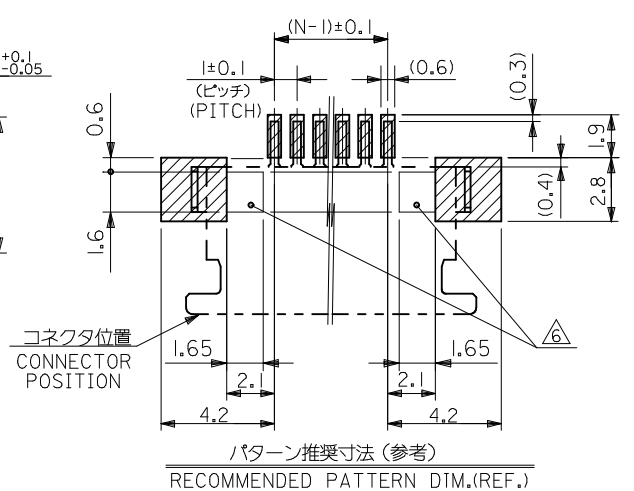
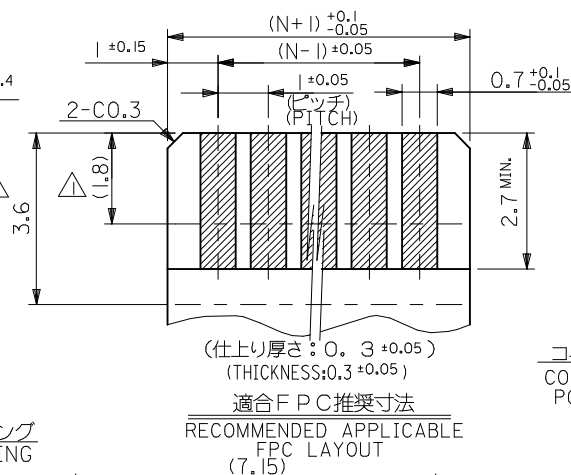
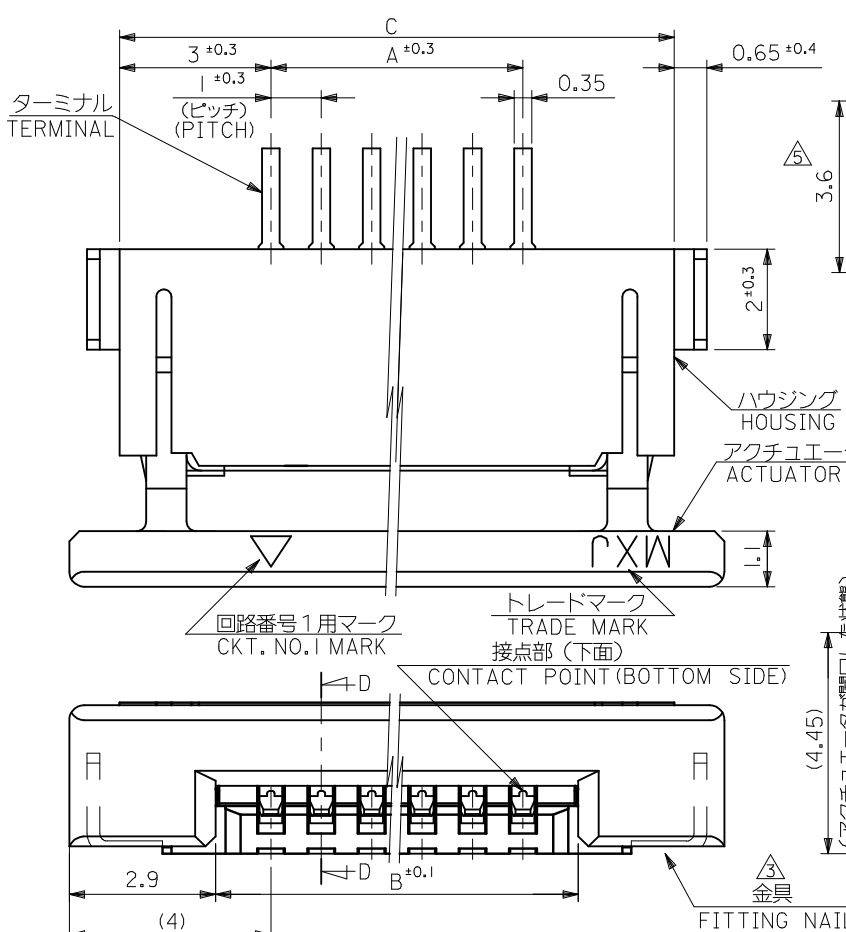
35	31.2	29	52271-3017	30
31	27.2	25	-2617	26
29	25.2	23	-2417	24
28	24.2	22	-2317	23
22	18.2	16	-1717	17
20	16.2	14	-1517	15
18	14.2	12	-1317	13
16	12.2	10	-1117	11
15	11.2	9	-1017	10
14	10.2	8	-0917	9
13	9.2	7	-0817	8
10	6.2	4	52271-0517	5
C	B	A	ENG. NO.	種数 CKT.

REVISED EC NO: J2016-1029 DRWN: SKITAZAWA 2016/04/04 CHKD: APPR: TKUJHARA01 2016/04/15	GENERAL TOLERANCES (UNLESS SPECIFIED)		DIMENSION STYLE MM ONLY		SCALE ---	DESIGN UNITS METRIC	1.0 FPC CONN ZIF SMT (BOTTOM CONTACT)
	0.25 UNDER	UNDER	±0.2	DRAWN BY	DATE	TITLE	
	0.25 OVER	0.5 UNDER	±0.2	TNIITSU	1996/10/15		
	0.5 OVER	1.0 UNDER	±0.2	CHECKED BY	DATE		
1.0 OVER	10 UNDER	±0.2	MFUKUSHIMA	1997/07/14			
10 OVER	30 UNDER	±0.25	APPROVED BY	DATE			
30 OVER		±0.3	KMORIKAWA	2011/02/22			
	ANGULAR	±3 °	MATERIAL NO.				
	DRAFT WHERE APPLICABLE MUST REMAIN WITHIN DIMENSIONS		SIZE A3	THIS DRAWING CONTAINS INFORMATION THAT IS PROPRIETARY TO MOLEX ELECTRONIC TECHNOLOGIES, LLC AND SHOULD NOT BE USED WITHOUT WRITTEN PERMISSION			

molex

DOCUMENT NO. SD-52271-042

SHEET NO. 1 OF 2

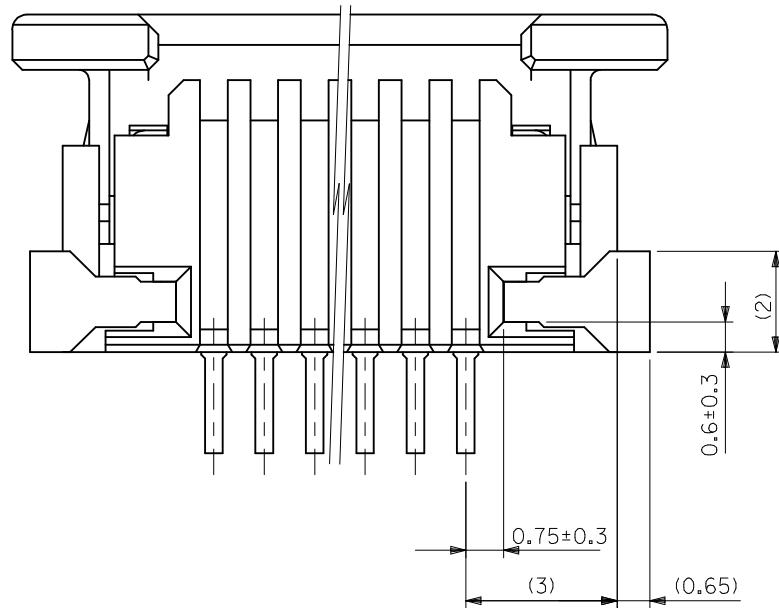


35	31.2	29	52271-3017	30
31	27.2	25	-2617	26
29	25.2	23	-2417	24
28	24.2	22	-2317	23
22	18.2	16	-1717	17
20	16.2	14	-1517	15
18	14.2	12	-1317	13
16	12.2	10	-1117	11
15	11.2	9	-1017	10
14	10.2	8	-0917	9
13	9.2	7	-0817	8
10	6.2	4	52271-0517	5
C	B	A	ENG. NO.	種数 CKT.

- 注記 NOTES
- △ 接点部までの嵌合長さ。
LENGTH TO CONTACT POINT.
 2. 使用材料 MATERIAL
ハウジング : 46ナイロン, UL94V-0
ハウジング HOUSING : 46NYLON, UL94V-0
アクチュエータ : PPS, UL94V-0
アクチュエータ ACTUATOR : PPS, UL94V-0
ターミナル : リン青銅 (t=0.25)
ターミナル TERMINAL : PHOS-BRO.(t=0.25)
メッキ : Sn-Pb(9:1), 下地Cu
メッキ PLATING : Sn-Pb(9:1), Cu(UNDER PLATING)
金具 : 銅合金 (t=0.25)
金具 FITTING NAIL : COPPER ALLOY (t=0.25)
メッキ : Sn-Pb(9:1), 下地Cu
メッキ PLATING : Sn-Pb(9:1), Cu(UNDER PLATING)
 - △ パターンはくり止め用金具
FITTING NAIL FOR PREVENTION OF PEELING OF P.C.B.PATTERN.
 4. エンボステープ梱包時は、アクチュエータがロックした状態とする。
WHEN CONNECTOR IS SHIPPED, ACTUATOR SHOULD BE LOCKED.

REVISED EC NO: J2016-1029 DRWN: SKITAZAWA 2016/04/04 CHKD: APPR: TKUJHARA01 2016/04/15	GENERAL TOLERANCES (UNLESS SPECIFIED)		DIMENSION STYLE MM ONLY		SCALE ---	DESIGN UNITS METRIC	1.0 FPC CONN ZIF SMT (BOTTOM CONTACT)		SHEET NO. 1 OF 2
	0.25 UNDER	UNDER	±0.2	DRAWN BY TNIITSU	DATE 1996/10/15	TITLE			
	0.25 OVER	0.5 UNDER	±0.2	CHECKED BY MFUKUSHIMA	DATE 1997/07/14				
	0.5 OVER	1.0 UNDER	±0.2	APPROVED BY KMORIKAWA	DATE 2011/02/22				
1.0 OVER	10 UNDER	±0.2	MATERIAL NO.		SEE CHART	DOCUMENT NO. SD-52271-042			
10 OVER	30 UNDER	±0.25	SIZE A3		THIS DRAWING CONTAINS INFORMATION THAT IS PROPRIETARY TO MOLEX ELECTRONIC TECHNOLOGIES, LLC AND SHOULD NOT BE USED WITHOUT WRITTEN PERMISSION				
30 OVER		±0.3	DRAFT WHERE APPLICABLE MUST REMAIN WITHIN DIMENSIONS						

10 9 8 7 6 5 4 3 2 1

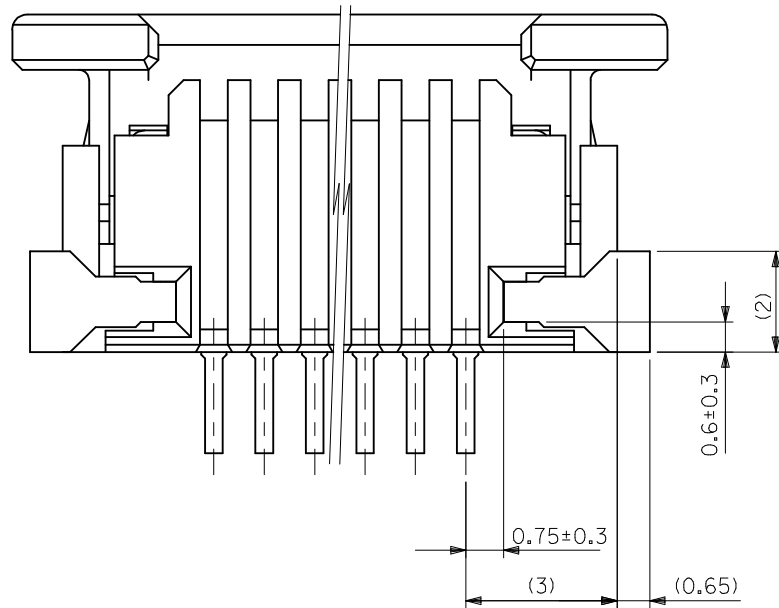


下面図

SEE SHEET 1 OF 2 EC NO: J2016-1029 DRWNSKIITAZAWA 2016/04/04 CHKD: APPR: TKUJHARA01 2016/04/15	GENERAL TOLERANCES (UNLESS SPECIFIED)			DIMENSION STYLE MM ONLY		SCALE ---	DESIGN UNITS METRIC	THIRD ANGLE PROJECTION	
	0.25 UNDER	UNDER	±0.2	DRAWN BY	DATE	TITLE			
	0.25 OVER	0.5 UNDER	±0.2	TNIITSU	1996/10/15	1.0 FPC CONN ZIF SMT (BOTTOM CONTACT)			
	0.5 OVER	1.0 UNDER	±0.2	CHECKED BY	DATE	<div style="text-align: center; font-weight: bold; font-size: 1.2em;">molex</div> DOCUMENT NO. SD-52271-042 SHEET NO. 2 OF 2			
	1.0 OVER	10 UNDER	±0.2	MFUKUSHIMA	1997/07/14				
10 OVER	30 UNDER	±0.25	APPROVED BY	DATE	THIS DRAWING CONTAINS INFORMATION THAT IS PROPRIETARY TO MOLEX ELECTRONIC TECHNOLOGIES, LLC AND SHOULD NOT BE USED WITHOUT WRITTEN PERMISSION				
30 OVER		±0.3	KMORIKAWA	2011/02/22					
ANGULAR	±3 °		MATERIAL NO.		SEE SHEET 1 OF 2				
DRAFT WHERE APPLICABLE MUST REMAIN WITHIN DIMENSIONS			SIZE A3						

9 8 7 6 5 4 3 2 1

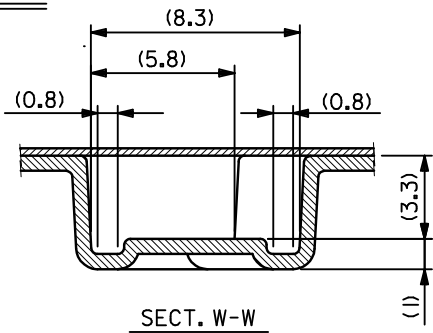
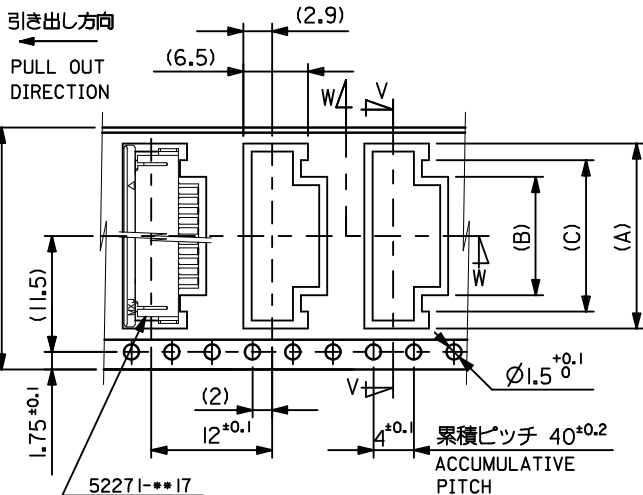
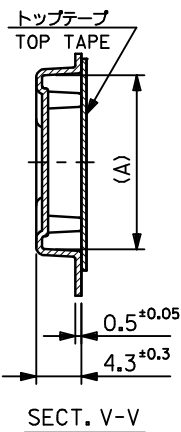
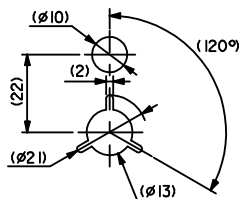
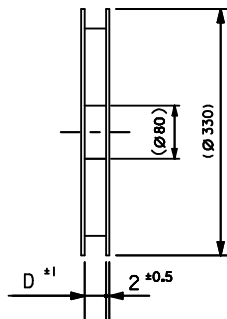
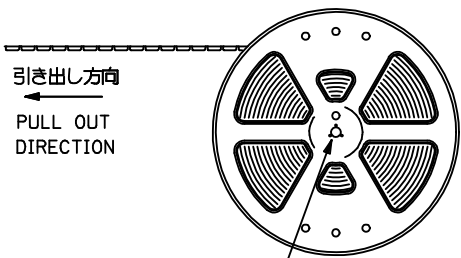
10 9 8 7 6 5 4 3 2 1



下面図

SEE SHEET 1 OF 2 EC NO: J2016-1029 DRWNSKIITAZAWA 2016/04/04 CHKD: APPR: TKUJHARA01 2016/04/15	GENERAL TOLERANCES (UNLESS SPECIFIED)			DIMENSION STYLE MM ONLY		SCALE ---	DESIGN UNITS METRIC	THIRD ANGLE PROJECTION	
	0.25 UNDER	UNDER	±0.2	DRAWN BY	DATE	TITLE			
	0.25 OVER	0.5 UNDER	±0.2	TNITSU	1996/10/15	1.0 FPC CONN ZIF SMT (BOTTOM CONTACT)			
	0.5 OVER	1.0 UNDER	±0.2	CHECKED BY	DATE	<div style="text-align: center; font-weight: bold; font-size: 1.2em;">molex</div> DOCUMENT NO. SD-52271-042 SHEET NO. 2 OF 2			
	1.0 OVER	10 UNDER	±0.2	MFUKUSHIMA	1997/07/14				
10 OVER	30 UNDER	±0.25	APPROVED BY	DATE	THIS DRAWING CONTAINS INFORMATION THAT IS PROPRIETARY TO MOLEX ELECTRONIC TECHNOLOGIES, LLC AND SHOULD NOT BE USED WITHOUT WRITTEN PERMISSION				
30 OVER		±0.3	KMORIKAWA	2011/02/22					
ANGULAR	±3 °		MATERIAL NO.		SEE SHEET 1 OF 2				
DRAFT WHERE APPLICABLE MUST REMAIN WITHIN DIMENSIONS			SIZE A3						

9 8 7 6 5 4 3 2 1

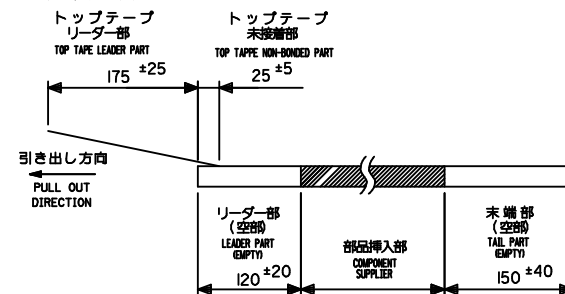


NOTES

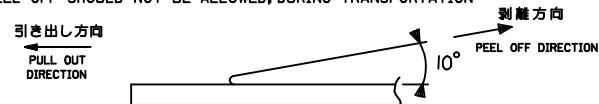
1. 製品番号 52271-***17 の梱包状態はアクチュエータがロックした状態とする。
詳細寸法については 図面 SD-52271-042 を参照下さい。
IN THE PACKAGE, ACTUATOR OF PART NO. 52271-***17 SHOULD BE LOCKED
RE DETAILED DIMENSIONS, SEE SD-52271-042

2. 梱包数量：1000個/リール
NUMBER OF CONNECTORS：1000 PCS/REEL

3. リードテープ長さ LEAD TAPE LENGTH



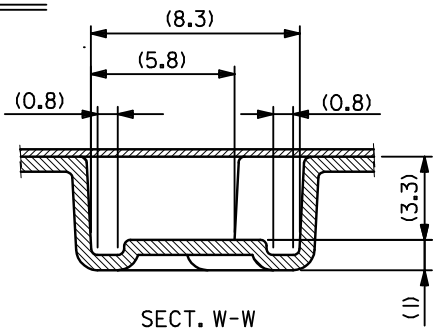
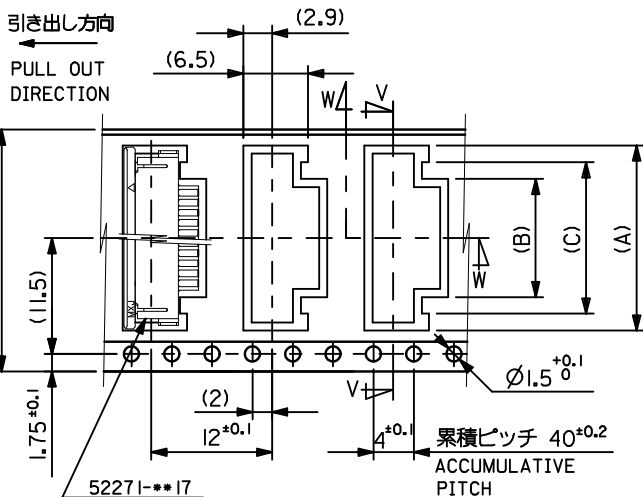
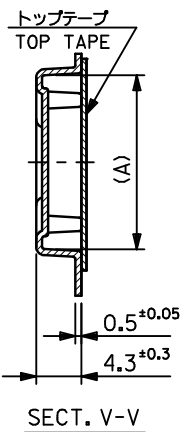
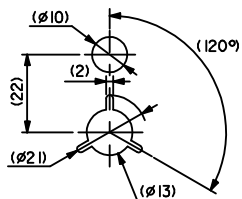
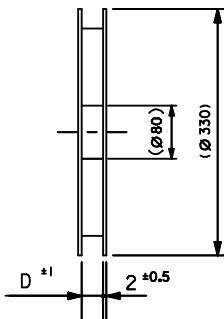
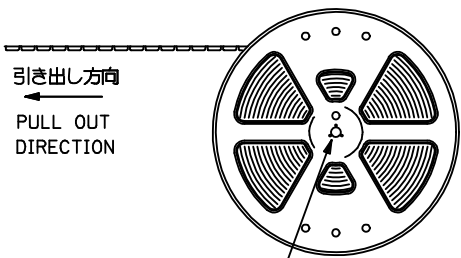
4. トップテープの剥離強度：60gf MAX. (剥離方向は下図参照)
尚、本規格値は、出荷時に適用。(但し、輸送時に剥離が発生しない事。)
PEELING OFF FORCE OF TOP TAPE：60gf MAX.
(PEELING DIRECTION AS SHOWN IN FOLLOWING FIG.)
THIS REQUIREMENT SHOULD BE APPLIED AT SHIPMENT
PEEL OFF SHOULD NOT BE ALLOWED, DURING TRANSPORTATION



5. 材料 (MATERIAL)
キャリアテープ (CARRIER TAPE)：ポリプロピレン (POLYPROPYLENE)
トップテープ (TOP TAPE)：PET, PE, PEF
リール (REEL)：ポリスチレン (PS) <リサイクル材を含む>
POLYSTYREN (PS) <RECYCLE MATERIAL CONTAINED>

24	25.5	15	11.4	18.3	52271-1190	11	
		14	10.4	17.3	-1090	10	
		13	9.4	16.3	-0990	9	
		12	8.4	15.3	-0890	8	
		9	5.4	12.3	52271-0590	5	
キャリアテープ幅 CARRIER TAPE WIDTH		D	(C)	(B)	(A)	MATERIAL NO.	極数 CKT.

REVISED EC NO: J2016-1029 DRWN: SKITAZAWA 2016/04/04 CHKD: APPR: IKUSUHARA01 2016/04/15	GENERAL TOLERANCES (UNLESS SPECIFIED)			DIMENSION STYLE MM ONLY		SCALE ---	DESIGN UNITS METRIC	THIRD ANGLE PROJECTION	
	0.25 UNDER	UNDER	±0.2	DRAWN BY	DATE	TITLE			
	0.25 OVER	0.5 UNDER	±0.2	STADOKORO	1988/09/29	EMBOSSED TAPE PACKAGE FOR 52271-***17			
	0.5 OVER	1.0 UNDER	±0.2	CHECKED BY	DATE				
	1.0 OVER	10 UNDER	±0.2	SKUNISHI	2000/12/20				
	10 OVER	30 UNDER	±0.25	APPROVED BY	DATE				
	30 OVER		±0.3	KMORIKAWA	2011/02/22				
	ANGULAR	±3 °		MATERIAL NO.		DOCUMENT NO.	SHEET NO.		
	DRAFT WHERE APPLICABLE MUST REMAIN WITHIN DIMENSIONS			SIZE A3	SEE CHART			SD-52271-043	1 OF 3
	THIS DRAWING CONTAINS INFORMATION THAT IS PROPRIETARY TO MOLEX ELECTRONIC TECHNOLOGIES, LLC AND SHOULD NOT BE USED WITHOUT WRITTEN PERMISSION								

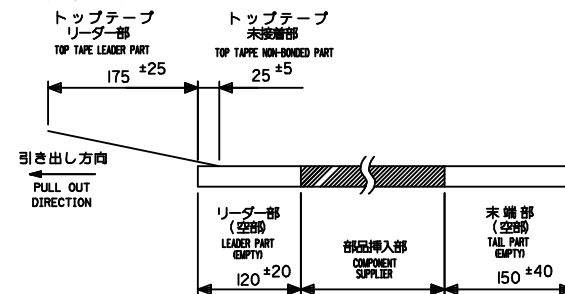


NOTES

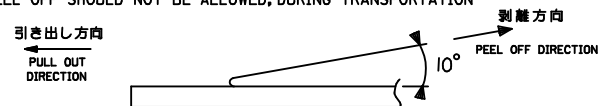
1. 製品番号 52271-***17 の梱包状態はアクチュエータがロックした状態とする。
詳細寸法については 図面 SD-52271-042 を参照下さい。
IN THE PACKAGE, ACTUATOR OF PART NO. 52271-***17 SHOULD BE LOCKED
RE DETAILED DIMENSIONS, SEE SD-52271-042

2. 梱包数量: 1000個/リール
NUMBER OF CONNECTORS: 1000 PCS/REEL

3. リードテープ長さ LEAD TAPE LENGTH



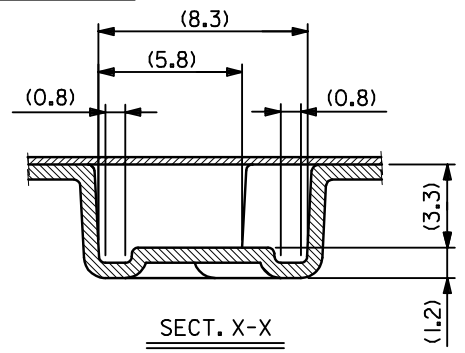
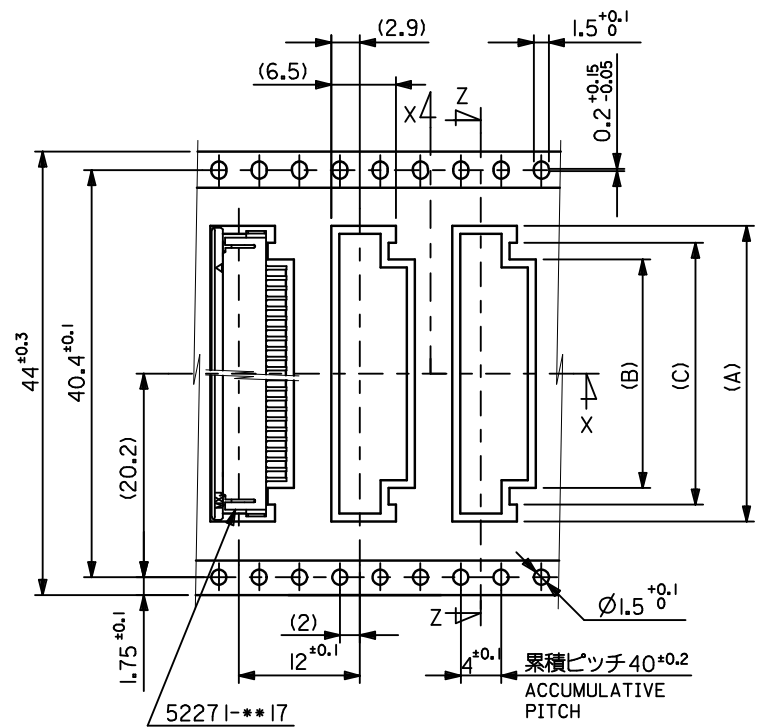
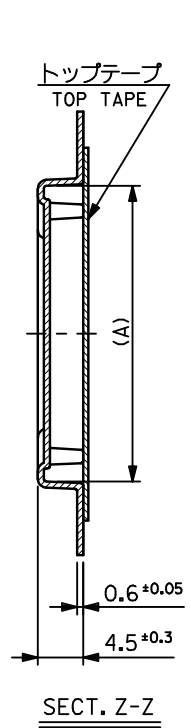
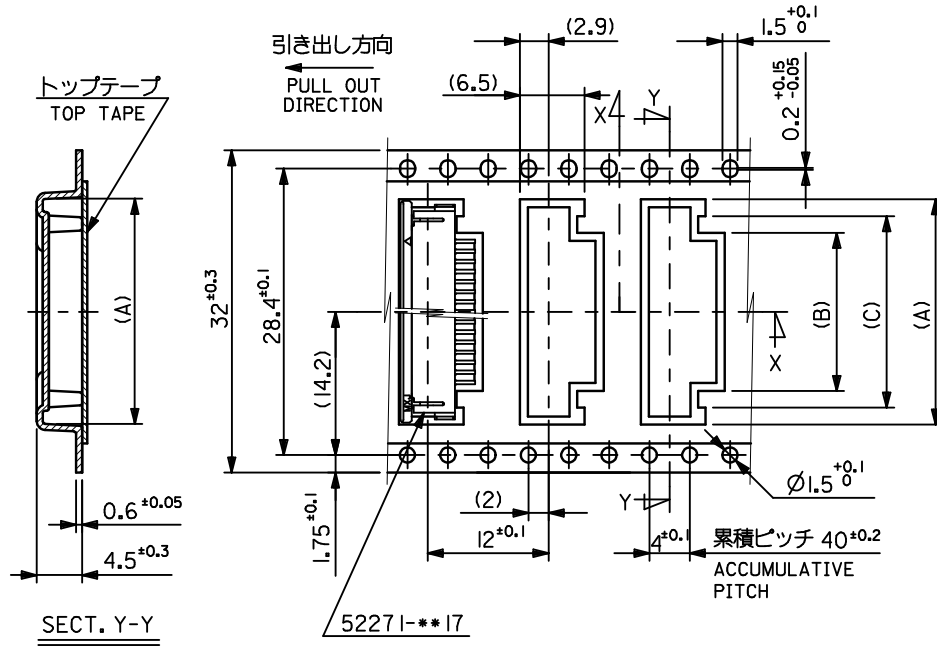
4. トップテープの剥離強度: 60gf MAX. (剥離方向は下図参照)
尚、本規格値は、出荷時に適用。(但し、輸送時に剥離が発生しない事。)
PEELING OFF FORCE OF TOP TAPE: 60gf MAX.
(PEELING DIRECTION AS SHOWN IN FOLLOWING FIG.)
THIS REQUIREMENT SHOULD BE APPLIED AT SHIPMENT
PEEL OFF SHOULD NOT BE ALLOWED, DURING TRANSPORTATION



5. 材料 (MATERIAL)
キャリアテープ (CARRIER TAPE): ポリプロピレン (POLYPROPYLENE)
トップテープ (TOP TAPE): PET, PE, PEF
リール (REEL): ポリスチレン (PS) <リサイクル材を含む>
POLYSTYREN (PS) <RECYCLE MATERIAL CONTAINED>

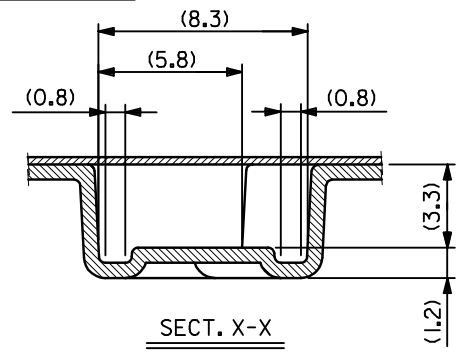
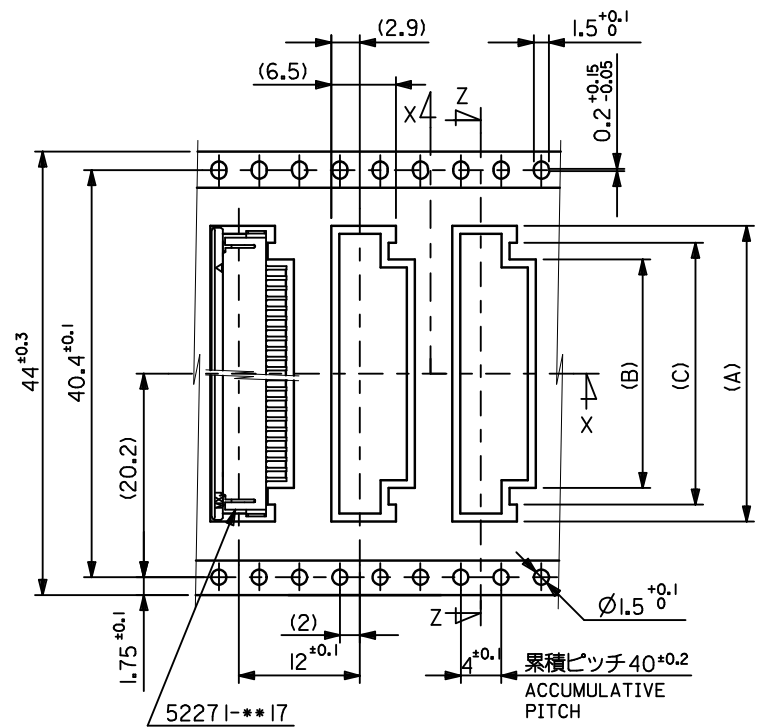
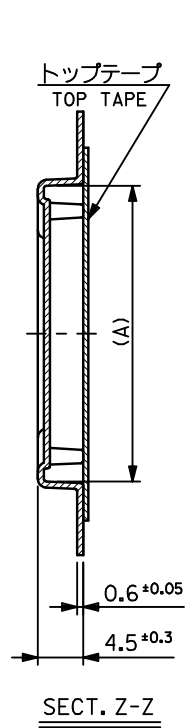
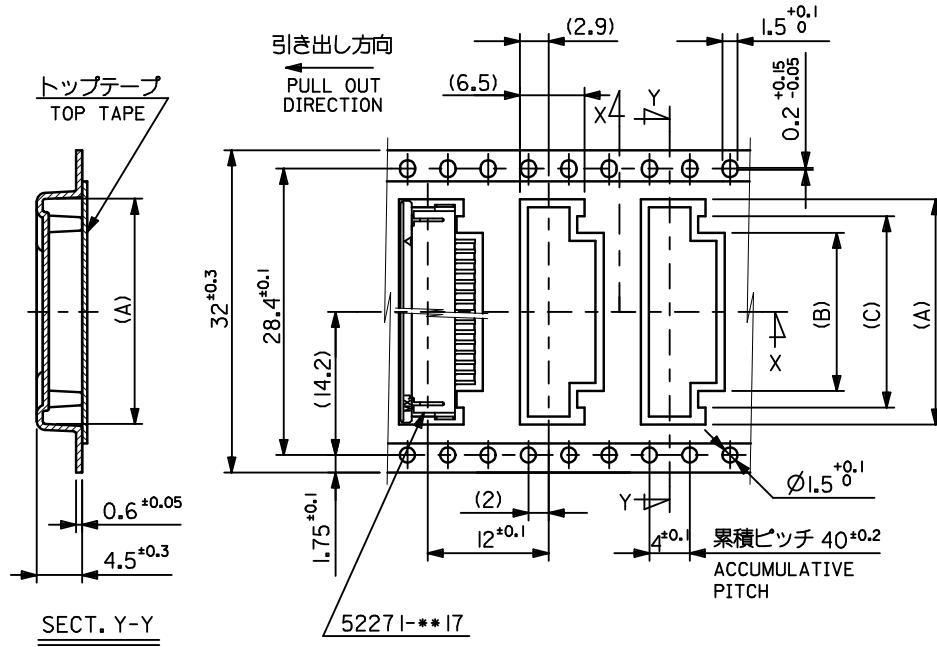
24	25.5	15	11.4	18.3	52271-1190	11	
		14	10.4	17.3	-1090	10	
		13	9.4	16.3	-0990	9	
		12	8.4	15.3	-0890	8	
		9	5.4	12.3	52271-0590	5	
キャリアテープ幅 CARRIER TAPE WIDTH		D	(C)	(B)	(A)	MATERIAL NO.	極数 CKT.

REVISED EC NO: J2016-1029 DRWN: SKITAZAWA 2016/04/04 CHKD: APPR: IKUSUHARA01 2016/04/15	GENERAL TOLERANCES (UNLESS SPECIFIED)			DIMENSION STYLE MM ONLY		SCALE ---	DESIGN UNITS METRIC	THIRD ANGLE PROJECTION		
	0.25 UNDER	UNDER	±0.2	DRAWN BY	DATE	TITLE				
	0.25 OVER	0.5 UNDER	±0.2	STADOKORO	1988/09/29	EMBOSSED TAPE PACKAGE FOR 52271-***17				
	0.5 OVER	1.0 UNDER	±0.2	CHECKED BY	DATE					
	1.0 OVER	10 UNDER	±0.2	SKUNISHI	2000/12/20					
	10 OVER	30 UNDER	±0.25	APPROVED BY	DATE					
	30 OVER		±0.3	KMORIKAWA	2011/02/22					
	ANGULAR	±3 °		MATERIAL NO.		DOCUMENT NO.	SHEET NO.			
	DRAFT WHERE APPLICABLE MUST REMAIN WITHIN DIMENSIONS			SIZE A3	SEE CHART				SD-52271-043	1 OF 3
	THIS DRAWING CONTAINS INFORMATION THAT IS PROPRIETARY TO MOLEX ELECTRONIC TECHNOLOGIES, LLC AND SHOULD NOT BE USED WITHOUT WRITTEN PERMISSION									



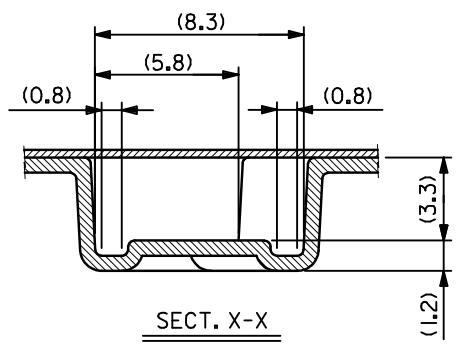
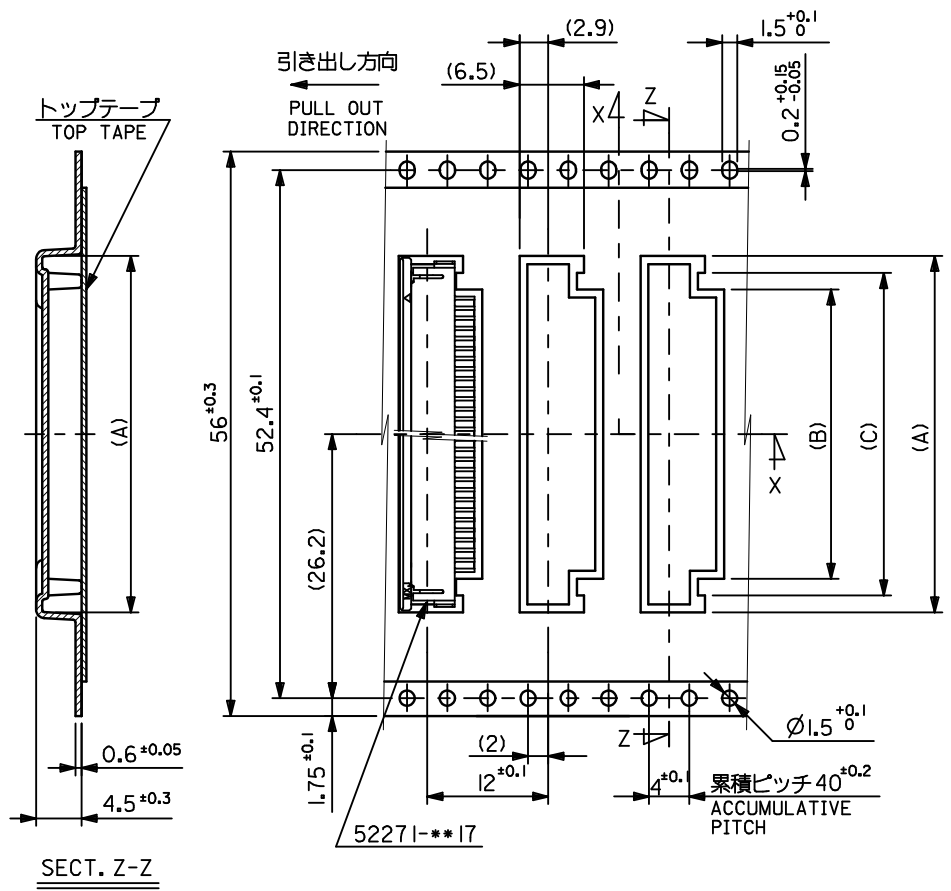
44	45.5	30	26.4	33.35	52271-2690	26
		28	24.4	31.35	-2490	24
		27	23.4	30.35	-2390	23
		21	17.4	24.35	-1790	17
32	33.5	19	15.4	22.35	-1590	15
		17	13.4	20.35	52271-1390	13
		(C)	(B)	(A)	MATERIAL NO.	種数 CKT.

REVISED EC NO.: J2016-1029 DRWN: SKITAZAWA 2016/04/04 CHKD: APPR: KUSUHARA01 2016/04/15	GENERAL TOLERANCES (UNLESS SPECIFIED)		DIMENSION STYLE MM ONLY		SCALE ---	DESIGN UNITS METRIC	THIRD ANGLE PROJECTION
	0.25 UNDER	UNDER	±0.2	DRAWN BY STADOKORO	DATE 1988/09/29	TITLE EMBOSSD TAPE PACKAGE FOR 52271-**-17	
	0.25 OVER	0.5 UNDER	±0.2	CHECKED BY SKUNISHI	DATE 2000/12/20		
	0.5 OVER	1.0 UNDER	±0.2	APPROVED BY KMORIKAWA	DATE 2011/02/22		
	1.0 OVER	10 UNDER	±0.2	MATERIAL NO.	DOCUMENT NO. SD-52271-043		SHEET NO. 2 OF 3
10 OVER	30 UNDER	±0.25	SEE CHART				
30 OVER		±0.3	DRAFT WHERE APPLICABLE MUST REMAIN WITHIN DIMENSIONS		THIS DRAWING CONTAINS INFORMATION THAT IS PROPRIETARY TO MOLEX ELECTRONIC TECHNOLOGIES, LLC AND SHOULD NOT BE USED WITHOUT WRITTEN PERMISSION		
	ANGULAR	±3 °	SIZE A3				

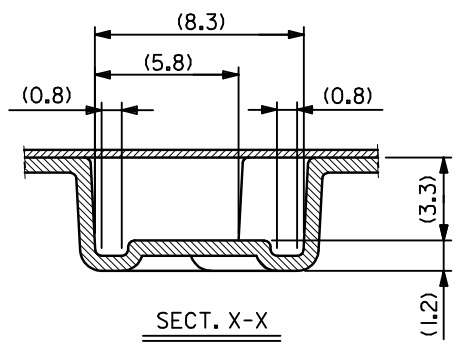
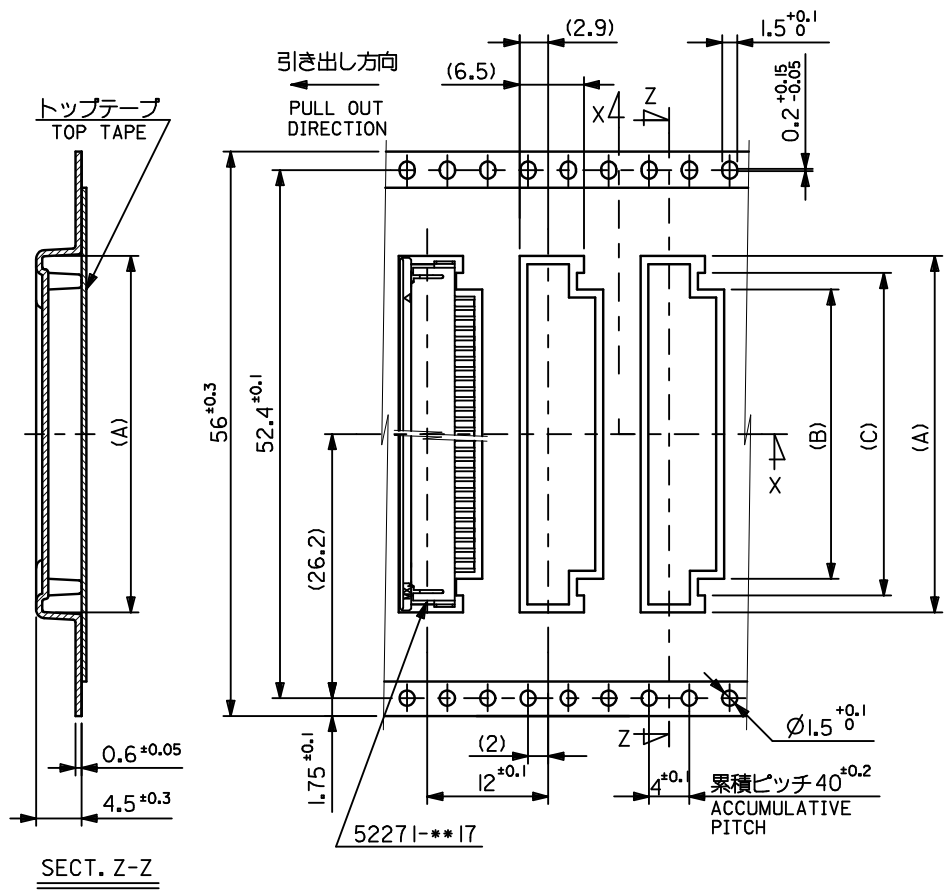


44	45.5	30	26.4	33.35	52271-2690	26
		28	24.4	31.35	-2490	24
		27	23.4	30.35	-2390	23
		21	17.4	24.35	-1790	17
32	33.5	19	15.4	22.35	-1590	15
		17	13.4	20.35	52271-1390	13
		(C)	(B)	(A)	MATERIAL NO.	種数 CKT.

REVISED EC NO.: J2016-1029 DRWN: SKITAZAWA 2016/04/04 CHKD: APPR: KUSUHARA01 2016/04/15	GENERAL TOLERANCES (UNLESS SPECIFIED)		DIMENSION STYLE MM ONLY		SCALE ---	DESIGN UNITS METRIC	THIRD ANGLE PROJECTION
	0.25 UNDER	UNDER	±0.2	DRAWN BY STADOKORO	DATE 1988/09/29	TITLE EMBOSSED TAPE PACKAGE FOR 52271-**-17	
	0.25 OVER	0.5 UNDER	±0.2	CHECKED BY SKUNISHI	DATE 2000/12/20		
	0.5 OVER	1.0 UNDER	±0.2	APPROVED BY KMORIKAWA	DATE 2011/02/22		
	1.0 OVER	10 UNDER	±0.2	MATERIAL NO.	DOCUMENT NO. SD-52271-043	SHEET NO. 2 OF 3	
10 OVER	30 UNDER	±0.25	SIZE A3	THIS DRAWING CONTAINS INFORMATION THAT IS PROPRIETARY TO MOLEX ELECTRONIC TECHNOLOGIES, LLC AND SHOULD NOT BE USED WITHOUT WRITTEN PERMISSION			
30 OVER		±0.3	DRAFT WHERE APPLICABLE MUST REMAIN WITHIN DIMENSIONS				



REVISED	EC NO: J2016-1029	DRWN: SKITAZAWA	2016/04/04	CHKD:	APPR: KUSUHARA01	2016/04/15	DESCRIPTION	GENERAL TOLERANCES (UNLESS SPECIFIED)	56	57.5	34	30.4	37.35	52271-3090	30
5								0.25 UNDER UNDER ±0.2	CARRIER TAPE WIDTH	D	(C)	(B)	(A)	MATERIAL NO.	種数
								0.25 OVER 0.5 UNDER ±0.2	DIMENSION STYLE	MM ONLY			SCALE	DESIGN UNITS	THIRD ANGLE PROJECTION
								0.5 OVER 1.0 UNDER ±0.2	DRAWN BY	DATE	TITLE			EMBOSSD TAPE PAKEGE FOR 52271-**17	
								1.0 OVER 10 UNDER ±0.2	CHECKED BY	DATE					
								10 OVER 30 UNDER ±0.25	APPROVED BY	DATE					
								30 OVER ±0.3	KMORIKAWA	2011/02/22					
								ANGULAR ±3 °	MATERIAL NO.				DOCUMENT NO.	SHEET NO.	
								DRAFT WHERE APPLICABLE MUST REMAIN WITHIN DIMENSIONS	SEE CHART				SD-52271-043	3 OF 3	
									SIZE	THIS DRAWING CONTAINS INFORMATION THAT IS PROPRIETARY TO MOLEX ELECTRONIC TECHNOLOGIES, LLC AND SHOULD NOT BE USED WITHOUT WRITTEN PERMISSION					
									A3						



56	57.5	34	30.4	37.35	52271-3090	30
キャリアテープ幅 CARRIER TAPE WIDTH	D	(C)	(B)	(A)	MATERIAL NO.	極数 CKT.

REVISED EC NO: J2016-1029 DRWN:SKITAZAWA 2016/04/04 CHKD: APPR:KUSUHARA01 2016/04/15	GENERAL TOLERANCES (UNLESS SPECIFIED)		DIMENSION STYLE MM ONLY		SCALE ---		DESIGN UNITS METRIC		THIRD ANGLE PROJECTION	
	0.25 UNDER	UNDER	±0.2	DRAWN BY	DATE	TITLE				
	0.25 OVER	0.5 UNDER	±0.2	STADOKORO	1988/09/29	EMBOSSD TAPE PAKEGE FOR 52271-**17				
	0.5 OVER	1.0 UNDER	±0.2	CHECKED BY	DATE					
	1.0 OVER	10 UNDER	±0.2	SKUNISHI	2000/12/20	molex				
10 OVER	30 UNDER	±0.25	APPROVED BY	DATE						
30 OVER		±0.3	KMORIKAWA	2011/02/22	MATERIAL NO.		DOCUMENT NO.		SHEET NO.	
	ANGULAR	±3 °	SEE CHART		SD-52271-043		3 OF 3			
	DRAFT WHERE APPLICABLE MUST REMAIN WITHIN DIMENSIONS		SIZE A3		THIS DRAWING CONTAINS INFORMATION THAT IS PROPRIETARY TO MOLEX ELECTRONIC TECHNOLOGIES, LLC AND SHOULD NOT BE USED WITHOUT WRITTEN PERMISSION					