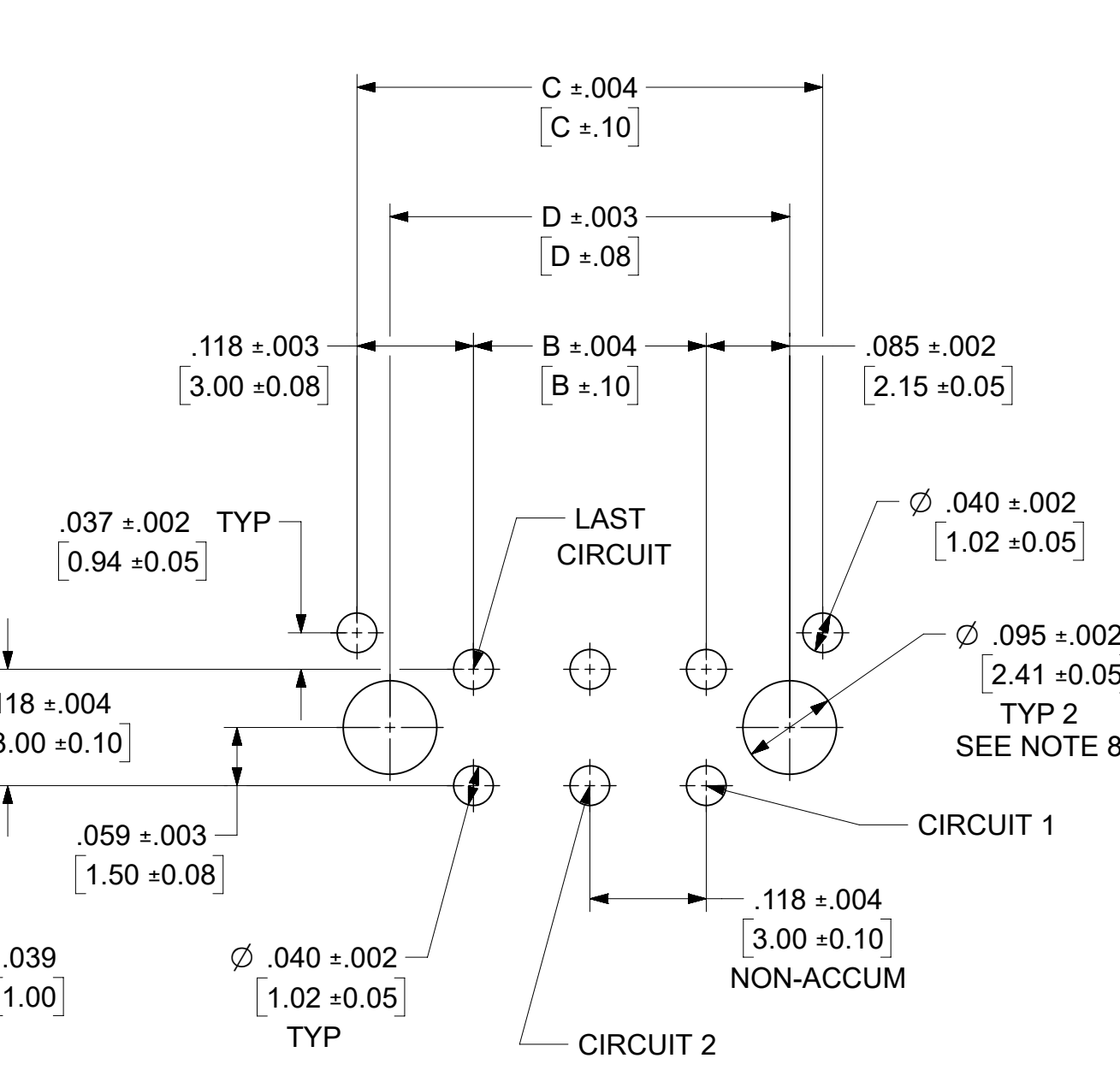
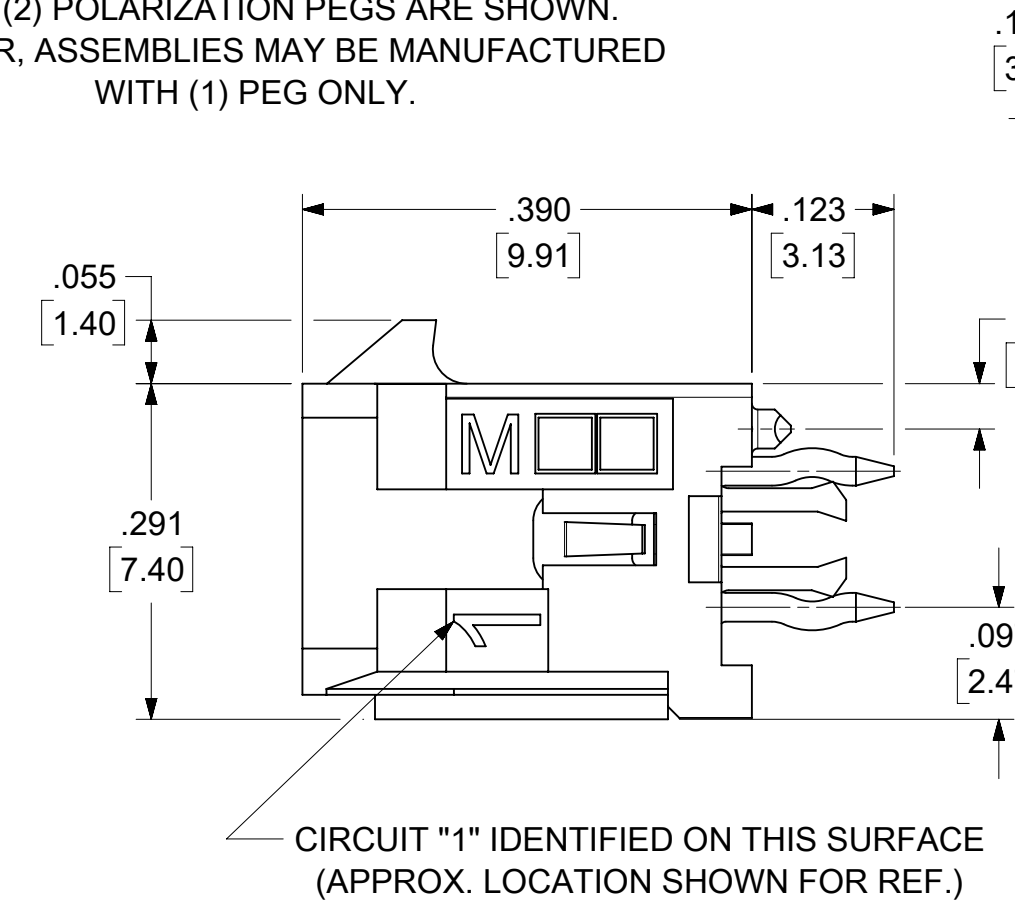
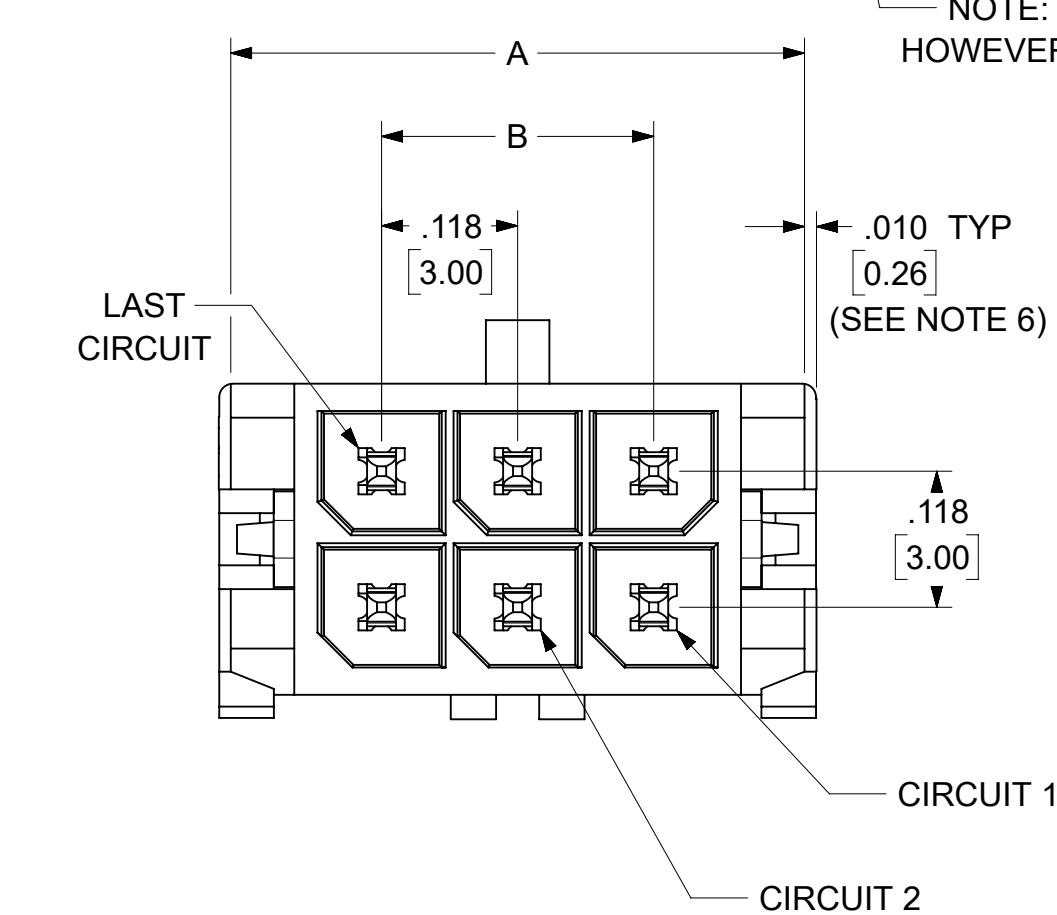


NOTE: (2) POLARIZATION PEGS ARE SHOWN. HOWEVER, ASSEMBLIES MAY BE MANUFACTURED WITH (1) PEG ONLY.

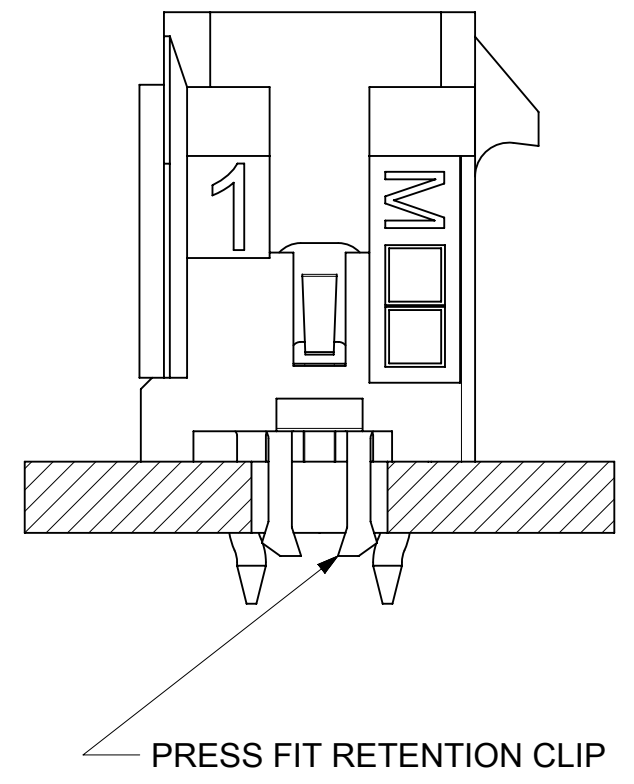


PCB LAYOUT: COMPONENT SIDE  
RECOMMEND PCB THICKNESS .062/1.57

CKTS	A	B	C	D
02	.262	NA	.236	.169
04	.380	.118	.354	.287
06	.498	.236	.472	.405
08	.616	.354	.591	.524
10	.734	.472	.709	.642
12	.852	.591	.827	.760
14	.970	.709	.945	.878
16	1.088	.827	1.063	.996
18	1.206	.945	1.181	1.114
20	1.325	1.063	1.299	1.232
22	1.443	1.181	1.417	1.350
24	1.561	1.299	1.535	1.469
	39.65	33.00	39.00	37.30

- NOTES:**
- HOUSING MATERIAL: GLASS FILLED LIQUID CRYSTAL POLYMER, UL94V-0, COLOR: BLACK  
TERMINAL MATERIAL: BRASS ALLOY
  - FINISH: A = .000060/(0.00152) MIN. REFLOWED MATTE TIN OVER .000050/(0.00127) MIN. NICKEL PLATE. (FINISH IS BRIGHT IN APPEARANCE, THICKNESS AS APPLIED PRIOR TO REFLOW)  
B = .000015/(0.00038) MIN. SELECT GOLD IN CONTACT AREA; .000100/(0.00254) MIN. SELECT MATTE TIN ON SOLDER TAILS; BOTH OVER .000050/(0.00127) MIN. NICKEL PLATE.  
C = .000030/(0.00076) MIN. SELECT GOLD IN CONTACT AREA; .000100/(0.00254) MIN. SELECT MATTE TIN ON SOLDER TAILS; BOTH OVER .000050/(0.00127) MIN. NICKEL PLATE.  
D = .000100/(0.00254) MIN. MATTE TIN OVER .000050/(0.00127) MIN. NICKEL PLATE.
  - PRODUCT SPECIFICATION: PS-43045
  - TRAY PACKAGED: SEE MOLEX DRAWING PK-70873-0314
  - MATES WITH MICRO FIT (3.0) RECEPTACLE SERIES 43025
  - CIRCUIT SIZES 2-6: "D" IS .265/6.74 FOR .010/0.25 STEP  
CIRCUIT SIZES 8-24: "D" IS .063/1.60 FOR .010/0.25 STEP.
  - THIS PART CONFORMS TO CLASS B REQUIREMENTS OF COSMETIC SPECIFICATION PS-45499-002.
  - FOR BEST RETENTION TO PCB, HOLES FOR CLIPS SHOULD BE PTH AND CLIPS SHOULD BE SOLDERED
  - TEXT ON PART IS FOR REFERENCE ONLY. TEXT AND TEXT LOCATION MAY VARY DEPENDING ON PART NUMBER AND/OR TOOL

	FINISH A	FINISH B	FINISH C	FINISH D
CKTS	MATERIAL NO:	MATERIAL NO:	MATERIAL NO:	MATERIAL NO:
02	43045-0224	43045-0225	43045-0226	43045-0304
04	43045-0424	43045-0425	43045-0426	43045-0504
06	43045-0624	43045-0625	43045-0626	43045-0704
08	43045-0824	43045-0825	43045-0826	43045-0904
10	43045-1024	43045-1025	43045-1026	43045-1104
12	43045-1224	43045-1225	43045-1226	43045-1304
14	43045-1424	43045-1425	43045-1426	43045-1504
16	43045-1624	43045-1625	43045-1626	43045-1704
18	43045-1824	43045-1825	43045-1826	43045-1904
20	43045-2024	43045-2025	43045-2026	43045-2104
22	43045-2224	43045-2225	43045-2226	43045-2304
24	43045-2424	43045-2425	43045-2426	43045-2504



THIS DRAWING CONTAINS INFORMATION THAT IS PROPRIETARY TO MOLEX ELECTRONIC TECHNOLOGIES, LLC AND SHOULD NOT BE USED WITHOUT WRITTEN PERMISSION

FUNCTIONAL SYMBOLS	THIS DRAWING CONTAINS INFORMATION THAT IS PROPRIETARY TO MOLEX ELECTRONIC TECHNOLOGIES, LLC AND SHOULD NOT BE USED WITHOUT WRITTEN PERMISSION	CURRENT REV DESC: REDRAWN, ADD NOTES 8 AND 9
FA = 0	DIMENSION UNITS: INCH/MM	SCALE: NTS
FC = 0	GENERAL TOLERANCES (UNLESS SPECIFIED)	
FP = 0	4 PLACES ±	MM INCH
DIVISIONAL SYMBOLS	3 PLACES ±	± 0.01
	2 PLACES ±	0.25 ± 0.014
	1 PLACE ±	0.36 ±
	0 PLACES ±	±
	ANGULAR TOL ±	0.5 °
	DRAFT WHERE APPLICABLE MUST REMAIN WITHIN DIMENSIONS	THIRD ANGLE PROJECTION
	EC NO: 736143	DRWN: SETHH6
	2022/12/16	2023/01/24
	CHK'D: MKIPPER	2023/01/26
	APPR: FSMITH	
	INITIAL REVISION:	
	DRWN: KSAMIEC	2000/04/06
	APPR: REDGLEY	2000/12/07
	DRAWING: C-SIZE	SERIES: 43045
	DOCUMENT NUMBER: SD-43045-009	DOC TYPE: PSD
	CUSTOMER: GENERAL MARKET	DOC PART: 001
	SHEET NUMBER: 1 OF 1	REVISION: H5