

Recommended PCB Layout

Material and Finish

Body: High Temperature, Thermoplastic,
UL94V-0 Rated
Color: Black

Contacts: Brass, Tin Plated
Inner Shield: Copper Alloy, Tin Plated
Outer Shield: Steel, Tin Plated

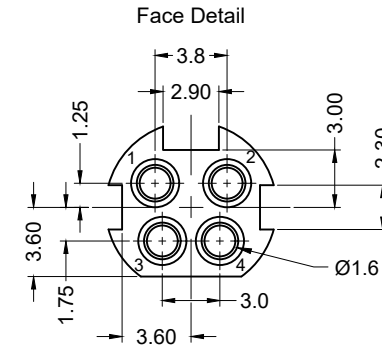
Electrical Characteristics

Contact Rating (Per Pin):
7.5A Max. @ 48V DC
Insulation Resistance:
50 Megohms Min. at 250V DC
Dielectric Withstanding Voltage:
500V AC RMS for 1 Min.
Contact Resistance:
30 milliohms Max.

Mechanical Characteristics

Operating Temperature:
-40°C to 85°C

Note:
Recommended for use
with Kycon KPPX plug.



Tolerances

X.X ± 0.35
X.XX ± 0.25
Unless Stated
Otherwise



| REV. | DATE | DESCRIPTION | REV. BY | CHK. BY | DRAWN BY | DATE |
|------|----------|-------------|-------------|-------------|----------|---------|
| A6 | 04/04/12 | ECO #12-011 | S. Vien | P. DalCanto | H. MA | 5/10/05 |
| A7 | 01/28/13 | ECO #13-006 | S. Vien | P. DalCanto | | |
| A8 | 09/18/15 | ECO #15-010 | C. Kelleher | W. Cook | UNITS | mm |
| A9 | 02/26/16 | ECO #16-005 | C. Kelleher | W. Cook | | |
| A10 | 08/20/18 | ECO #18-034 | G. Serrato | D. Shehan | | |
| A11 | 10/05/18 | ECO #18-051 | G. Serrato | D. Shehan | | |
| | | | | | | |

KPJXHT-4S-S

DC Power Jack, RoHS Compliant

4 Position, Shielded, High Temperature

