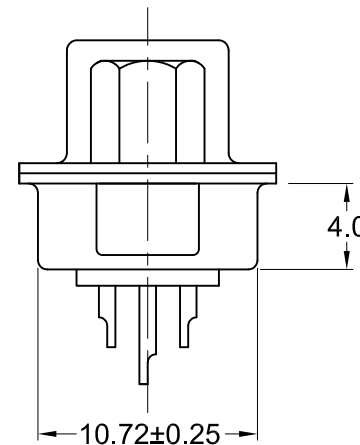
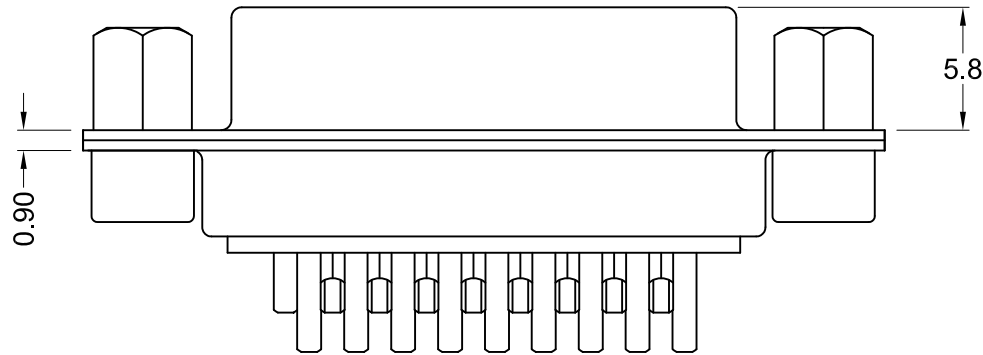


(2) #4-40 UNC  
Jackscrews Installed



**Material and Finish**

- Shell: Steel, Nickel plated
- Insulator: PBT thermoplastic with glass-fiber reinforcement, UL94V-0 rated, Color: Black
- Contact Material: Socket - Brass
- Contact Plating Options:
  - Standard: gold flash on mating end, tin on termination end, nickel underplate on entire contact
  - 15 Option: 15u" gold on mating end, tin on termination end, nickel underplate on entire contact
  - 30 Option: 30u" gold on mating end, tin on termination end, nickel underplate on entire contact

**Electrical Specifications**

- Rated Current: 1.5A
- Rated Voltage: 30Vac
- Insulation Resistance: more than 1000 megohms at 500V DC
- Contact Resistance: 13 milliohms max.
- Dielectric Withstanding Voltage: 1000V for 1 minute
- Operating Temperature: -55°C to +75°C

**Ordering Information**

Part Number	Contact Area Plating Finish
K86X-AA-26S-KJ	Gold Flash (standard)
K86X-AA-26S-KJ15	15u" Gold (15 option)
K86X-AA-26S-KJ30	30u" Gold (30 option)

Tolerances
X.X ± 0.25
X.XX ± 0.15
Unless Stated Otherwise



REV.	DATE	DESCRIPTION	REV. BY	CHK. BY	DRAWN BY	DATE
A1	12/21/05	New Drawing	R. Aguirre	H. MA	R. Aguirre	12/21/05
A2	1/16/08	ECO# 07-052	WILL H.	H. MA		
A3	8/27/14	ECO#14-028	H. MA	P. DalCanto		
A4	12/31/17	ECO# 17-033	G. Serrato	C. Furumasu		
					UNITS	
					mm	

**K86X-AA-26S-KJ**

High Density Vertical Mount D-Sub, RoHS Compliant  
26 pin socket, solder cups, bushing, JS

