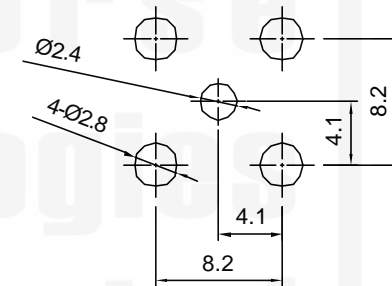
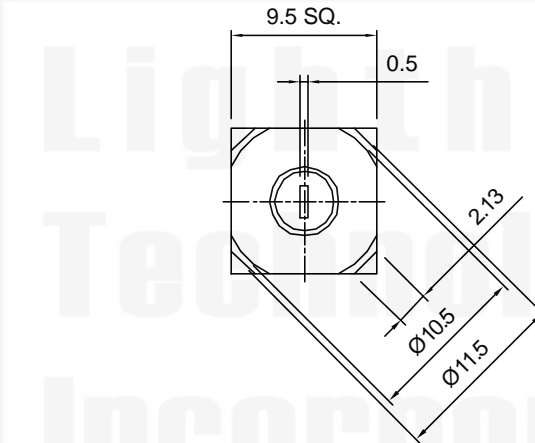
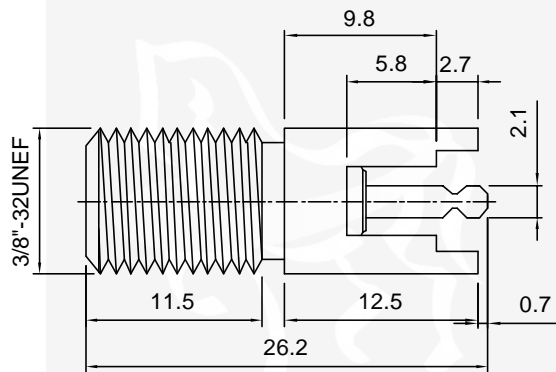


Tolerances
 1-20=+/-0.2
 20-30=+/-0.3
 30-40=+/-0.4
 40-50=+/-0.5
 50-100=+/-0.75
 100-300=+/-1.5
 Angles=+/-1
Dimensions are in Millimeters


Revisions Description/Approved/Date	Approved M.H.	Date 02/05/99
	Checked M.H.	Date 02/05/99
	Drawn T.J.A.	Date 02/03/99

NOTES (plating thickness in micro-inches):

1. Per QQ-B-626	5. Per MIL-P-19468	9. Nickel pl. 100 min. over copper strike
2. Per QQ-S-764	6. Per ZZ-R-765	10. Per QQ-P-35
3. Per QQ-C-530	7. Per WW-T-799	11. Gold pl. 30 min. over nickel pl. 50 min. over copper strike
4. Per QQ-B-750	8. Gold pl. 5 min. over nickel pl. 50 min. over copper strike	



RECOMMENDED MOUNTING HOLE

ITEM	MATERIAL	FINISH	Lighthouse Technologies, Inc.		
Connector Body	Brass, Note 1	Nickel, Note 9	 9511 Ridgehaven Ct, Suite B San Diego, California 92123 Part Number: LTI-FSF54LNP		
Center Contact: Female	Brass, Note 1	Nickel, Note 9			
Insulation	Polypropylene	None			
Ferrule	--	--	Description F vertical PCB thru hole jack, long leg type Nickel plated brass body, Polypropylene dielectric.		
Gasket	--	--			
Hex Nut	--	--	Scale	Drawing No.	File Name
Lock Washer	--	--	2:1	FSF54LNP	FSF54L