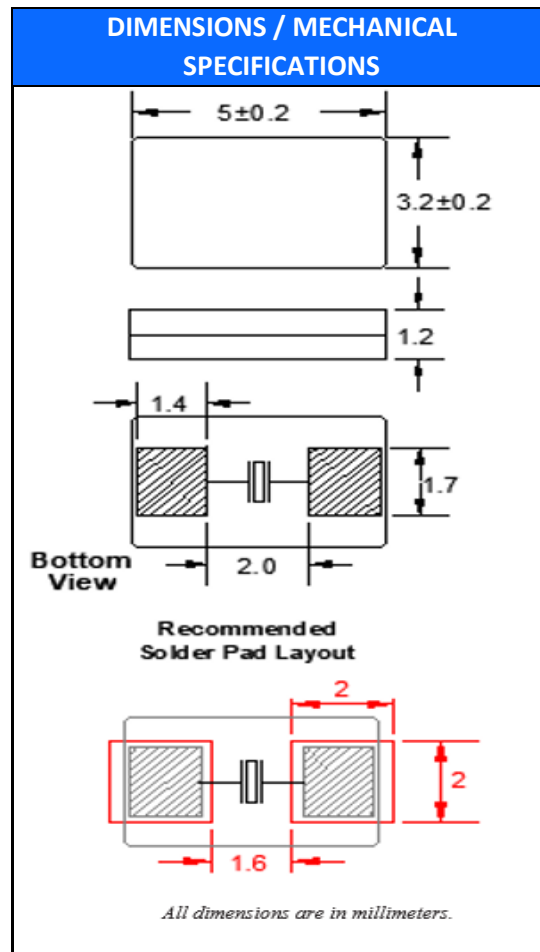


### Features

- Tolerances down to  $\pm 20$  PPM
- Stabilities down to  $\pm 10$  PPM

STANDARD SPECIFICATIONS	
PARAMETERS	MAX (Unless otherwise noted)
Frequency Range	8.000 ~ 48.000 MHz
Frequency Tolerance @ 25°C	(See options below)
Frequency Stability, ref 25°C	(See options below)
Temperature Range	
Operating ( $T_{OPR}$ )	(See options below)
Storage ( $T_{STG}$ )	-40°C ~ +85°C
Shunt Capacitance ( $C_0$ )	5 pF
Load Capacitance ( $C_L$ )	(See options below)
Drive Level	0.5mW
Aging per year (@ 25°C)	$\pm 5$ PPM
Termination Finish	Ag
Seal Method	Resin
Lead (Pb) Free	Yes
RoHS Compliant	Yes



Note: Dimensional drawing is for reference to critical specifications defined by size measurements. Certain non-critical visual attributes, such as side castellations, etc. may vary.

Frequency Range (MHz)	Operating Mode	Max ESR $\Omega$
8.000000 ~ 11.999999	Fundamental	100
12.000000 ~ 16.000	Fundamental	80
16.000001 ~ 48.000	Fundamental	50

AVAILABLE OPERATING TEMPERATURES AND STABILITIES*						
Operating Temperature	$\pm 10$ PPM	$\pm 15$ PPM	$\pm 20$ PPM	$\pm 25$ PPM	$\pm 30$ PPM	$\pm 50$ PPM
0°C ~ +70°C	O	O	O	O	O	O
-20°C ~ +70°C	O	O	O	O	O	O
-40°C ~ +85°C	X	X	X	X	O	O

Key: O = Available, X = Not Available \*Does not imply a stocked part.

# FC5AQ

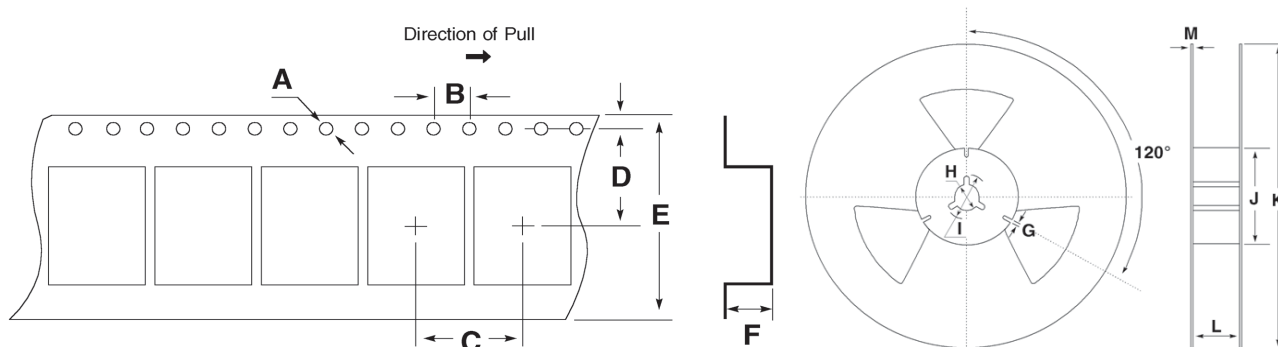
(Former FQ5032A)

5.0mm x 3.2mm

SMD Crystal



TAPE SPECIFICATIONS (mm)							REEL SPECIFICATIONS (mm)							
A	B	C	D	E	F	REEL QTY	G	H	I	J	K	L	M	
ø1.5	4.0	8.0	5.5	12.0	1.5	-T1 = 1,000	2.0	ø13	ø21	ø62	ø180	13.5	2.0	



## Available Options & Part Identification for SMD Crystal FC5AQ<sup>1</sup>

Sample PN: FC5AQCCMC25.0-T1

F	C5AQ	C	C	M	C	25.0	-T1
<b>Fox</b>	<b>Model Number</b>	<b>Tolerance</b> B = 50 PPM <b>C = 30 PPM</b> D = 25 PPM E = 20 PPM	<b>Stability</b> A = 100 PPM B = 50 PPM <b>C = 30 PPM</b> D = 25 PPM E = 20 PPM F = 15PPM H = 10 PPM	<b>Load Capacitance<sup>2</sup></b> A= Series V = 7pF D = 8pF E = 10pF G = 12pF K = 16pF L = 18 pF <b>M = 20pF</b>	<b>Operating Temperature</b> <b>C = 0 to +70°C</b> E = -10 to +70°C F = -20 to +70°C M = -40 to +85°C	<b>Frequency (MHz)</b>	<b>Values Added Options</b> Blank = Bulk T1 = 1,000 pcs

1 Not all frequency, tolerance, stability, load, and operating temperature combinations may be available.

2 Listed load capacitances represent the most commonly used. Other load capacitances are available. Contact us for assistance

### Reliability Test Conditions

Please contact Abracon Quality Assurance department