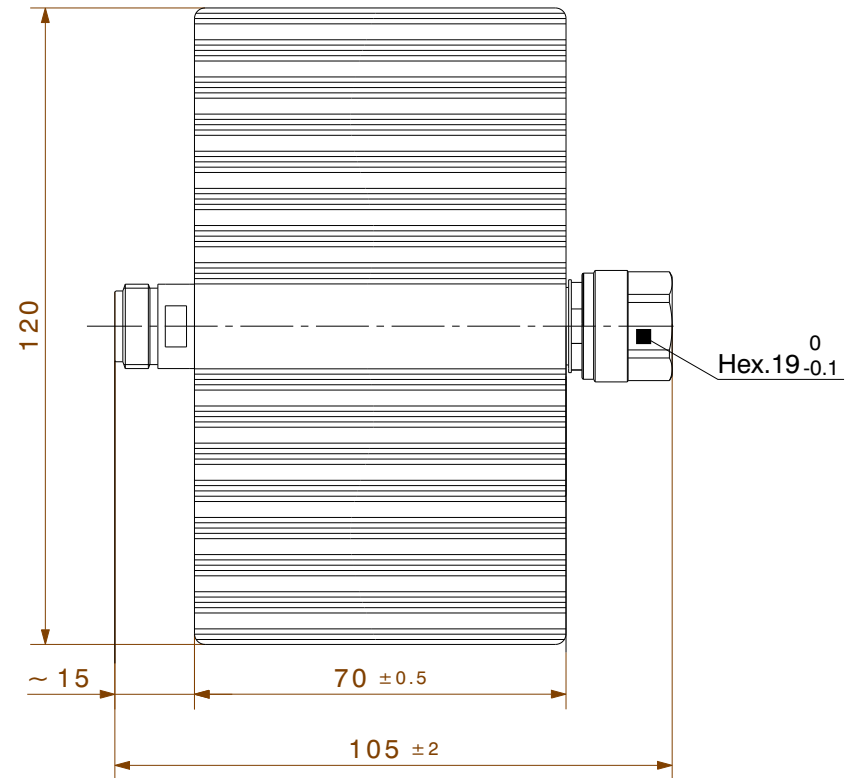
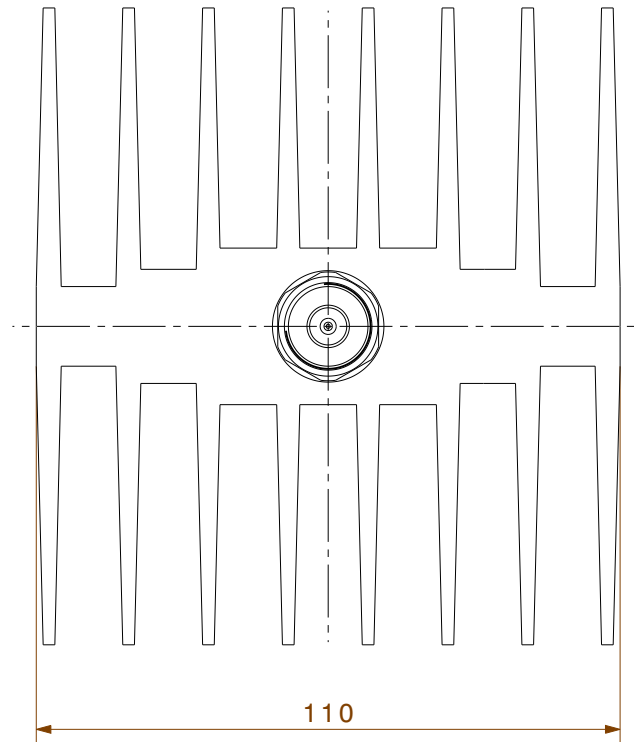


Types:

5910\_N-50-050

5920\_N-50-050

5930\_N-50-050



Type:

Assembly drawing

**HUBER+SUHNER**

Released date: 09.09.2022

alternative ID

description  
Attenuator

All dimensions after treatment in millimeter (mm)

3D-ID PRO-01161281 A Sheet: 1 / 1

ID Release  
DOU-01161280 A