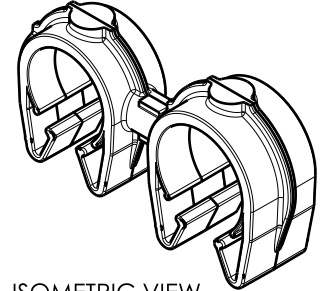
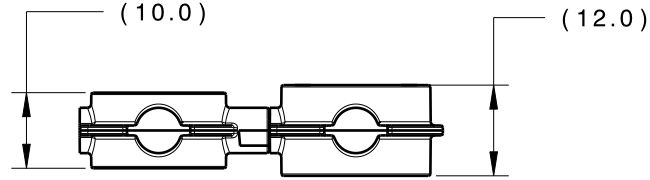
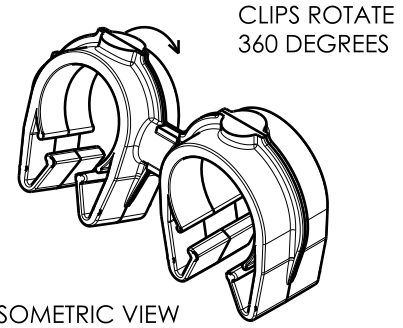
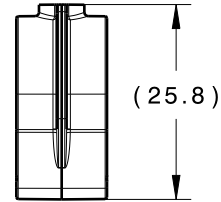
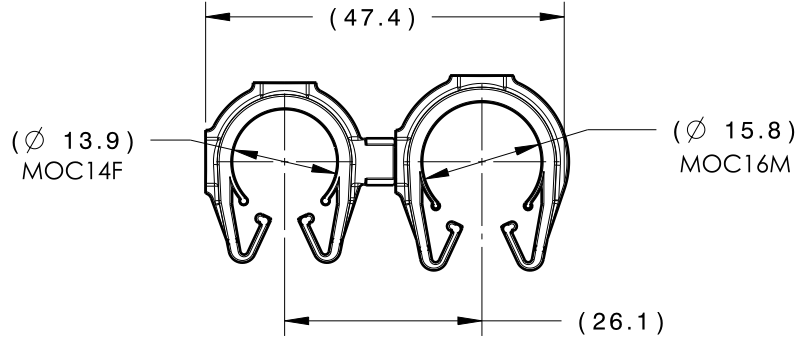


Revision Level			Revision Record	Changed	Date	Approved	Date
Drawing	State	Part					
01.2	DESIGN RELEASE		SEE ECN# 014444	JMC	04/26/18	EJH	04/26/18



ISOMETRIC VIEW




ISOMETRIC VIEW ROTATED

TYPE	MOC14F	MOC16M
HARNESS	13.0MM-15.0MM	14.0MM-17.0MM
HOSE	13.0MM-15.0MM	14.0MM-17.0MM
HARD PIPE/TUBE	14.0MM-15.8MM	15.9MM-18.3MM

*RECOMMENDED SIZES MAY DIFFER DEPENDING ON THE APPLICATION, PRODUCT REQUIREMENTS AND MATERIALS USED

PATENT PENDING 29/582,271

GLOBAL PART DESCRIPTION 	MOC14F**			MOC16M**		
	DRAWING	MATERIAL	COLOR	DRAWING	MATERIAL	COLOR
MOC14FMOC16M-PA66HIRHSUV-BK	16-0320-000-CSU	PA66HIRHSUV	BLACK	16-0321-000-CSU	PA66HIRHSUV	BLACK

Material SEE CHART COLOR: SEE CHART	Units millimeters Tolerance defined on each dimension	The copyright of this drawing is reserved by HellermannTyton. It is issued on condition that it is not reproduced, copied or disclosed to a third party, either wholly or in part, without the consent of HellermannTyton.	Drawn	TAT	2/22/17	Article/Type-No	MOC14FMOC16M		Scale	1:1
			Approved	EJH	2/28/17			Title		Project Number
			HellermannTyton						Drawing-No	PRODUCTION : Phase
North America Email: corp@htamericas.com Web: www.hellermann.tyton.com						16-0326-454-CSU			Sheet	1/1