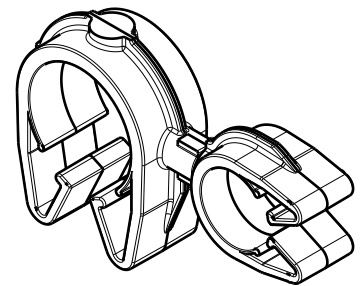
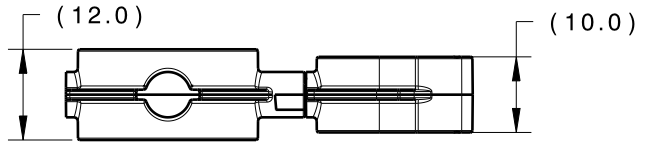
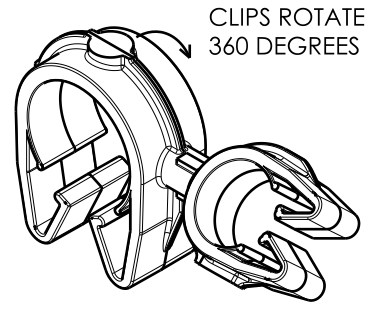
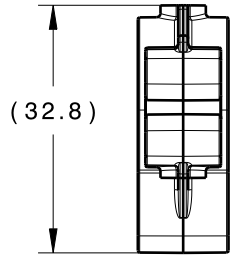
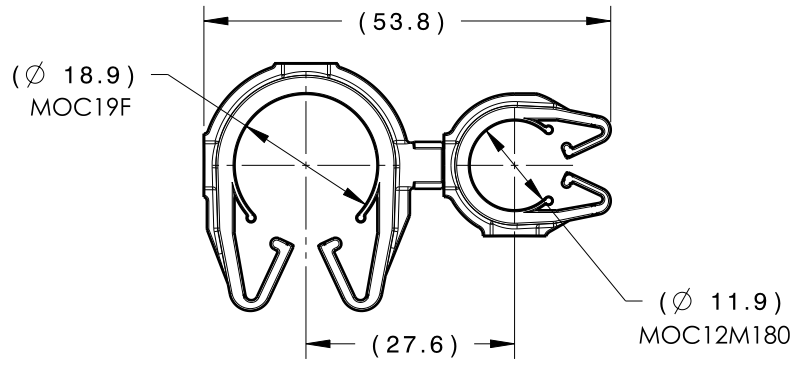


Revision Level			Revision Record	Changed	Date	Approved	Date
Drawing	State	Part					
00.1	Design Release	-	SEE ECN# 014774	TAT	12/3/2018	EJH	12/3/2018



ISOMETRIC VIEW



CLIPS ROTATE 360 DEGREES

ISOMETRIC VIEW ROTATED

TYPE	MOC19F	MOC12M180
HARNESS	17.0MM - 20.0MM	11.5MM - 13.0MM
HOSE	17.0MM - 20.0MM	10.5MM - 13.0MM
HARD PIPE/TUBE	19.0MM - 21.8MM	12.0MM - 13.8MM

\*RECOMMENDED SIZES MAY DIFFER DEPENDING ON THE APPLICATION , PRODUCT REQUIREMENTS AND MATERIALS USED

\*\*PATENT PENDING 29/582,271

GLOBAL PART DESCRIPTION	MOC19F**			MOC12M180**		
	DRAWING	MATERIAL	COLOR	DRAWING	MATERIAL	COLOR
MOC19FMOC12M180-PA66HIRHSUV-BK	16-0322-000-CSU	PA66HIRHSUV	BLACK	16-0319-000-CSU	PA66HIRHSUV	BLACK

Material SEE CHART COLOR: SEE CHART	Units	millimeters	The copyright of this drawing is reserved by HellermannTyton. It is issued on condition that it is not reproduced, copied or disclosed to a third party, either wholly or in part, without the consent of HellermannTyton.	Drawn	CJR	10/1/18	Article/Type-No MOC19FMOC12M180	Scale	1:1		
	Tolerance defined on each dimension	North America Email: corp@htamericas.com Web: www.hellermann.tyton.com		Approved	TAT	10/1/18		Title 19MM MOC COUPLED TO A 12MM MOC M180	Project Number	16-0330	
				<b>HellermannTyton</b>			Drawing-No		PRODUCTION : Phase	Format	AH
							<b>16-0330-633-CSU</b>			Sheet	1/1