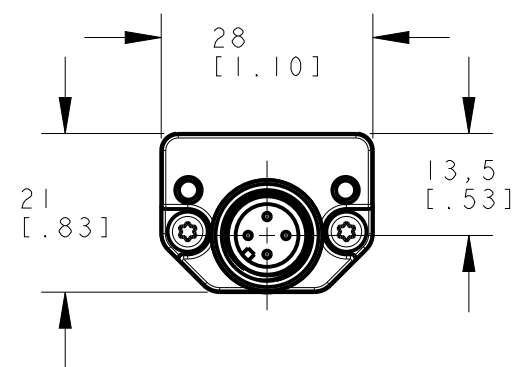
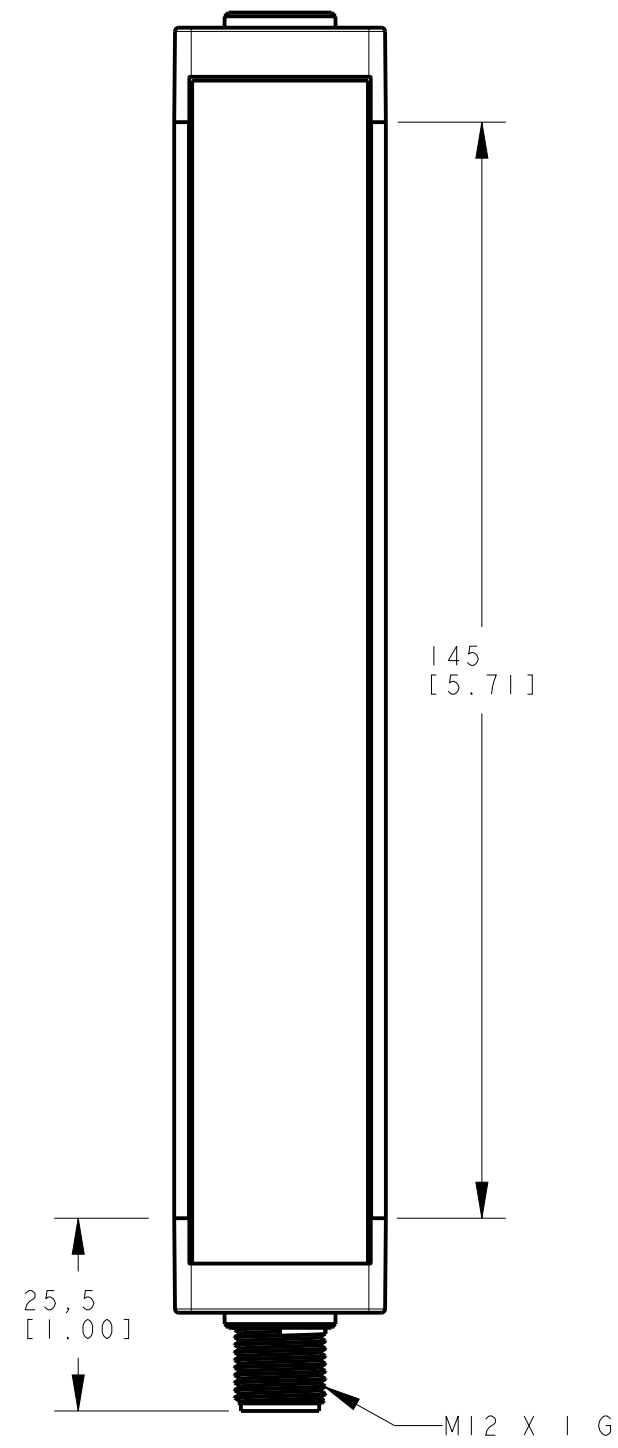
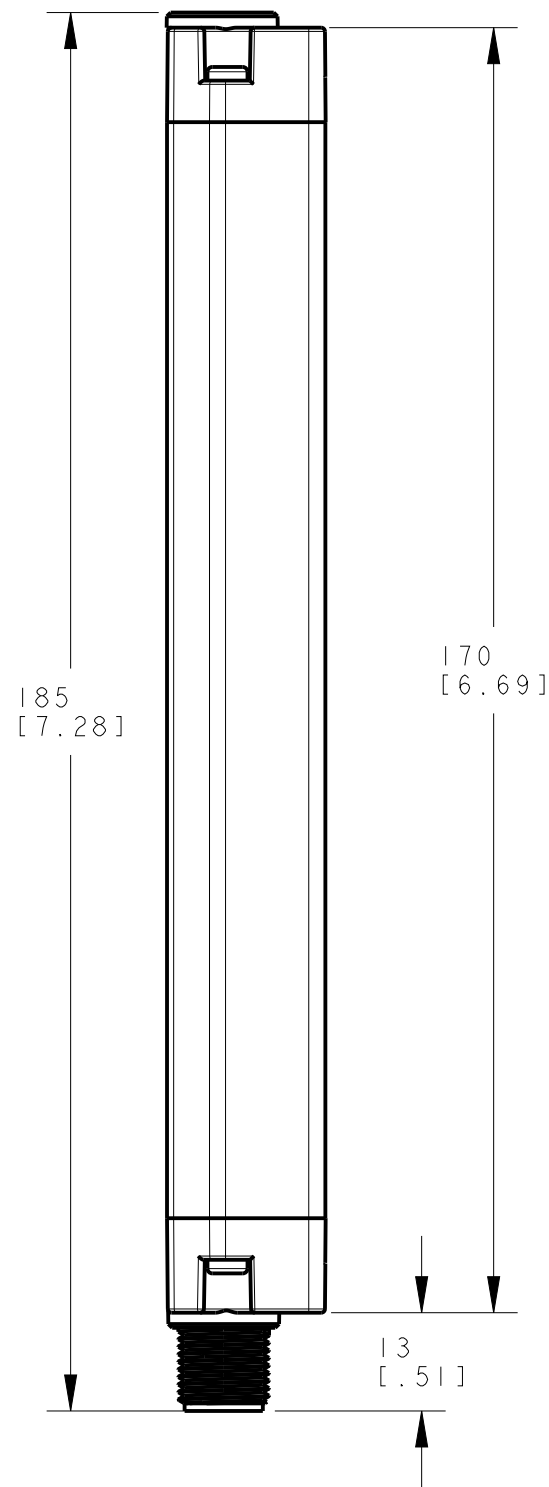


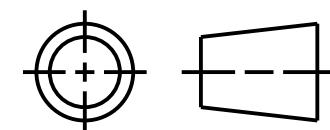
ISOMETRIC VIEW
SCALE 1:1



NOTES:
1. ALL DIMENSIONS ARE MILLIMETERS [INCHES] UNLESS OTHERWISE NOTED.
2. REFER TO "www.bannerengineering.com" FOR ADDITIONAL DATA AND SPECIFICATIONS.

This drawing is the property
of BANNER ENGINEERING CORP.
Any use or reproduction,
in any form, without prior
written permission of
Banner is prohibited.
© 2015 Banner Engineering Corp.

THIRD ANGLE PROJECTION



BANNER BANNER ENGINEERING CORP.
www.bannerengineering.com

TITLE
WLS28X145SO
WEB CAD DRAWINGS 2D/3D

SIZE C DRAWING NO. **157885** REV. **B**

SCALE 1:1 SHEET 1 OF 1 CREO