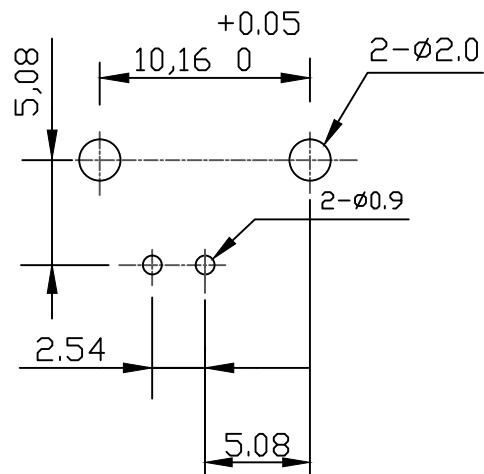
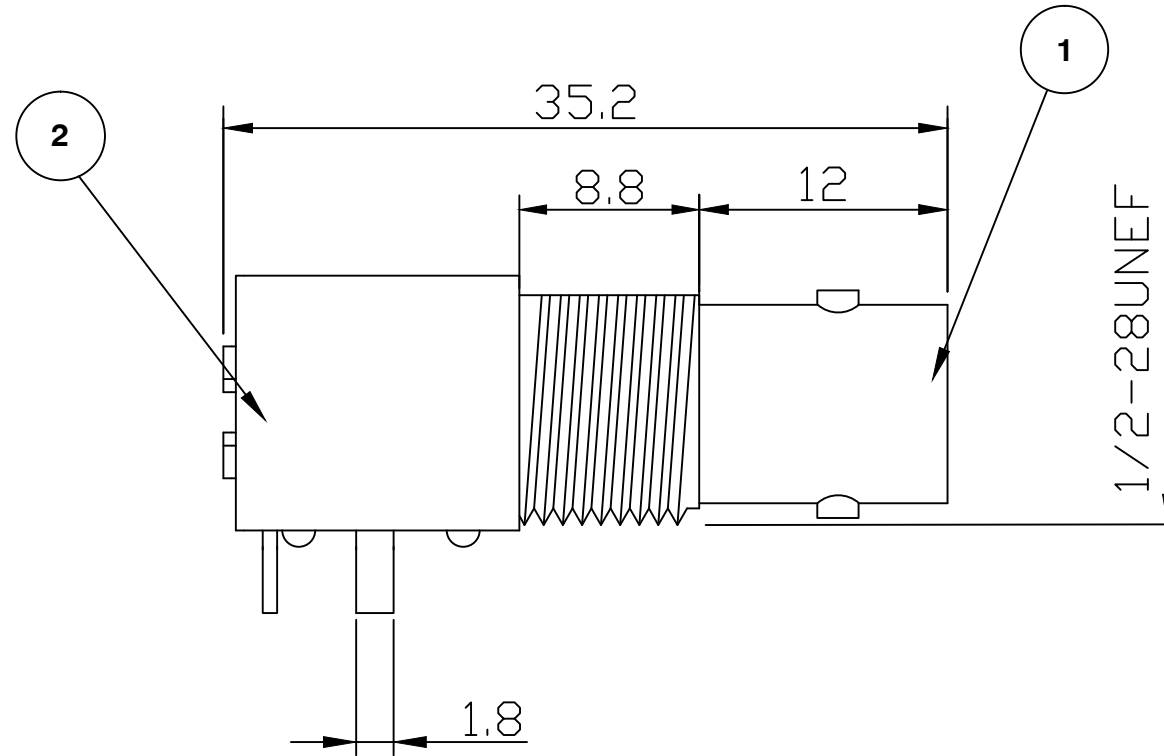
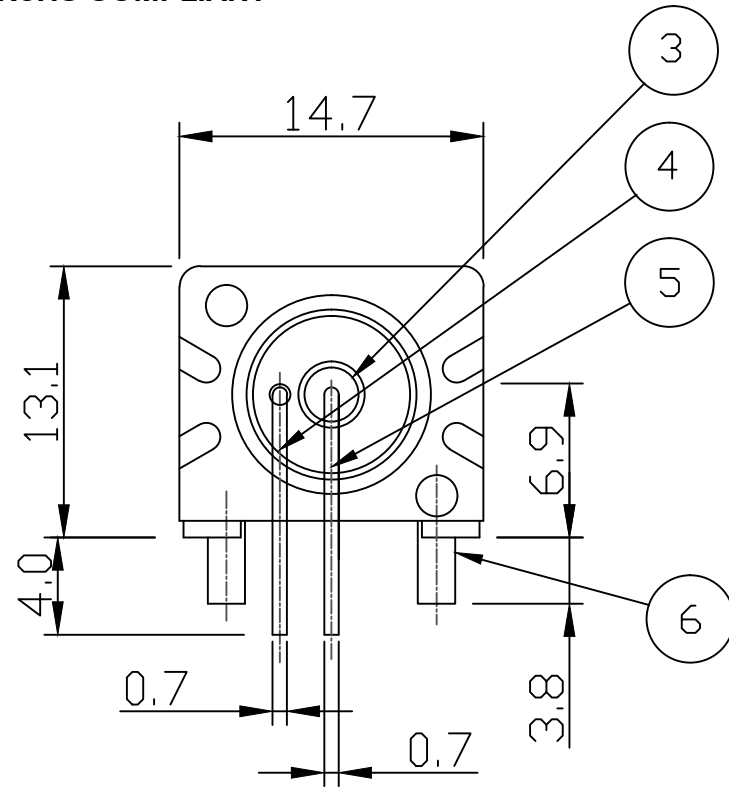
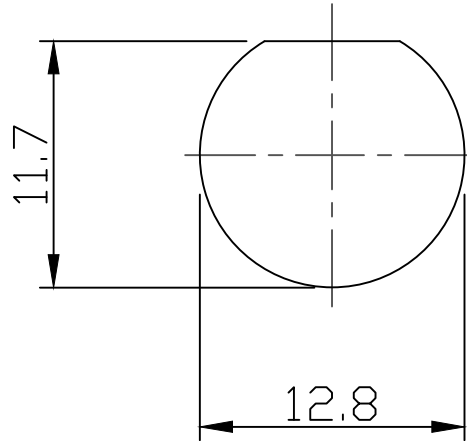


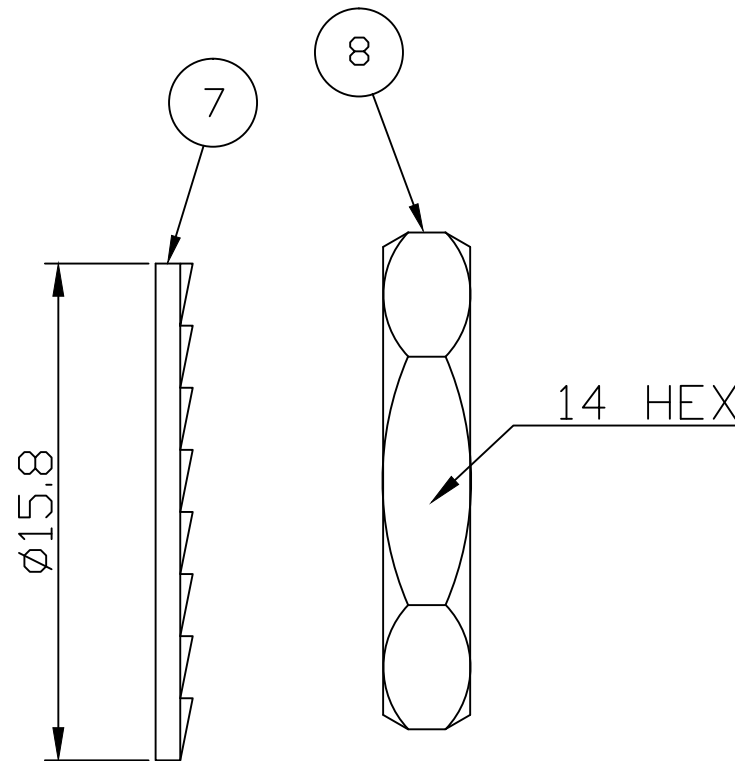
RoHS COMPLIANT



RECOMMENDED PCB LAYOUT



RECOMMENDED PANEL CUTOUT



Electrical Characteristics

Nominal Impedance:	50 ohms
Frequency Range:	DC to 4 GHz
VSWR:	2:1 maximum
Operating Voltage (rms):	500 V maximum at sea level
Dielectric Withstand Voltage (rms):	1500 V maximum at sea level
Center Contact Resistance:	3 milliohms maximum
Outer Contact Resistance:	2 milliohms maximum
Insulation Resistance:	5000 megohms minimum

Mechanical Characteristics

Mating Cycles:	500 cycles minimum
----------------	--------------------

Environmental Characteristics

Temperature Range:	-40 °C to +85 °C
--------------------	------------------

PART	DESCRIPTION
1	Shell Zinc Alloy, nickel plated
2	Body P.B.T. UL94V-0 (White)
3	Dielectric Polypropylene
4	Ground Terminal Brass, tin plated
5	Socket Contact Phosphor Bronze, gold plated
6	Mount Post Brass, tin plated >5 Microns
7	Lock Washer Iron, nickel plated
8	Hex Nut Brass, nickel plated

DESCRIPTION OF REVISION	APPVD	ISS	DATE
ECN - D17509, Material & Dimension updates	MS	11	12 Oct 21
ECN 2015-005	JC	10	28 May 15
Text Change	JC	9	24 Jan 13
PCB Mounting Dimensions Corrected	LB	8	21 Jan 09
Complete Update	KA	7	13 Mar 08
Updated Address	KA	6	22 Feb 08
CAD Issue	SN	5	05 Feb 02
Added UL Numbers	AT	4	01 June 99



CINCH CONNECTIVITY SOLUTIONS
11 Bilton Road,
Chelmsford, Essex,
CM1 2UP, UK.
Tel: +44 (0) 1245 359515
Fax: +44 (0) 1245 358938

SCALE: Not To Scale

DIMENSIONS: mm

TOLERANCES:
± 0.2mm unless
otherwise stated

DRAWN BY:	S Nash
CHECKED BY:	S Nash
APPROVED BY:	M Nielsen
DATE:	05 Feb 02

TITLE:
**BNC R/A PCB Mount Jack
(low profile)**

PART NUMBER:

VBI211

PAGE: 1 of 1