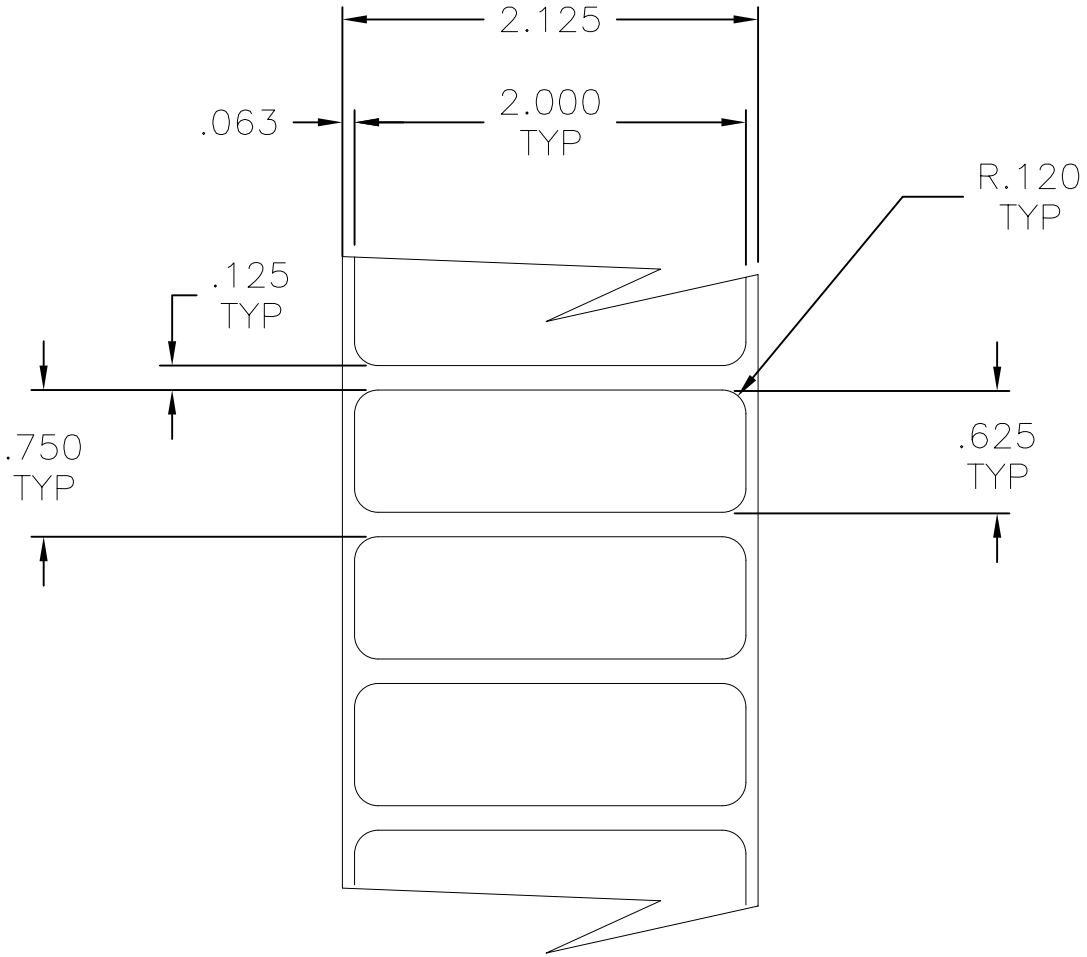


name	date	city, state



2,000 LABELS PER ROLL
1 ACROSS

PART NUMBER	MATERIAL
TAG75T1-795	795 METALIZED POLYESTER
TAG75T1-822	822 WHITE POLYESTER

REVISION	D	level	A
	W	date	09/20/99
	I	by	AAM
	G	ECN #	001482
	part level	A	

DIMENSIONS	T	.XXXX=	
	O	.XXX= ±.010	
	L	.XX=	
	E	.X=	
	R	∠=	
	unless otherwise specified		
	units	inches	

PART	number	SEE CHART	phase	PRODUCTION
	name	TAG75T1 THERMAL TRANSFER BLANK LABEL		
	material	SEE CHART		

DRAWING	FORMAT	AV	version	K	CAD	ACAD	scale	1X
	computer file number	LA/DTL/3002123A		previous number				
	drawn	A.A.M.	checked	K.A.C.	approved			
		09/20/99		10/11/99			sheet	1 of 1
	type	DETAIL		sheet		1 of 1		
	number	LA3002123DTL						