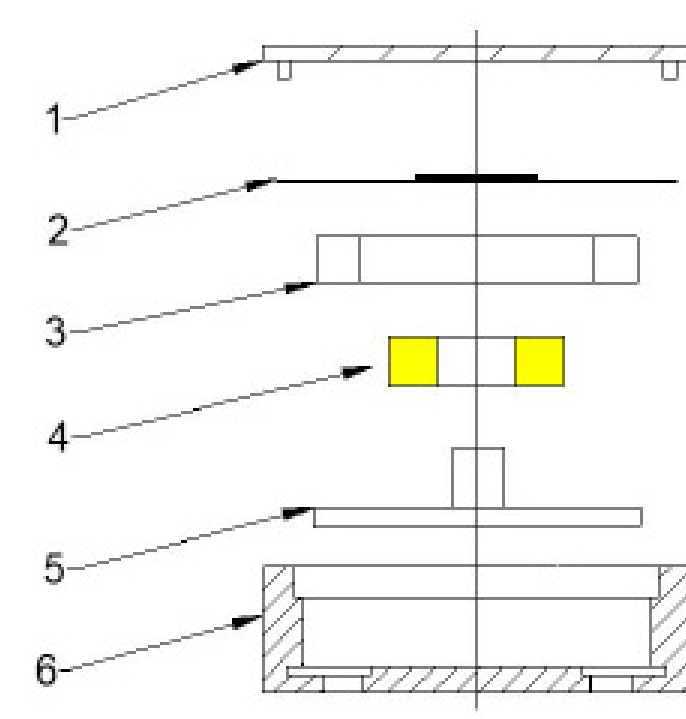
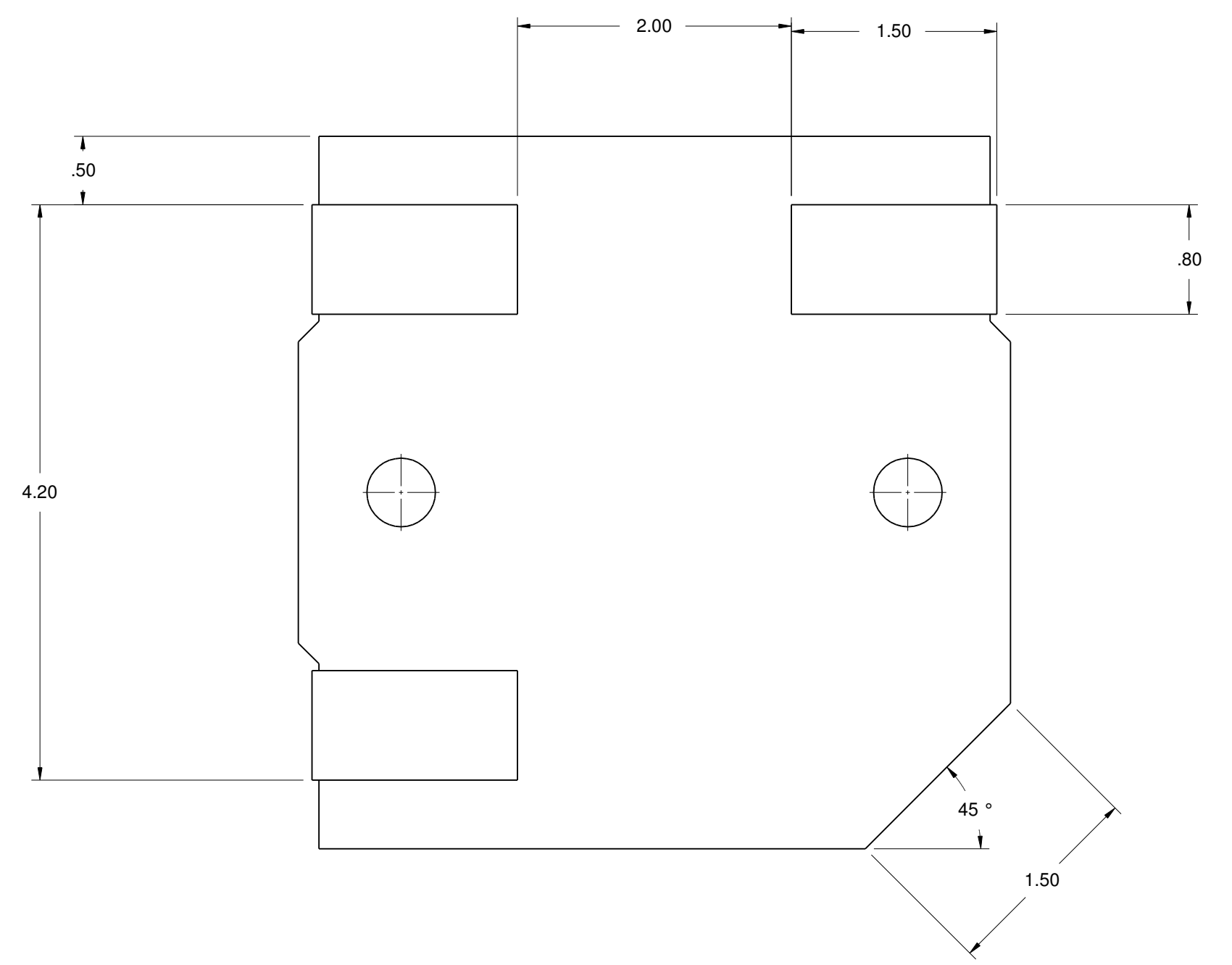
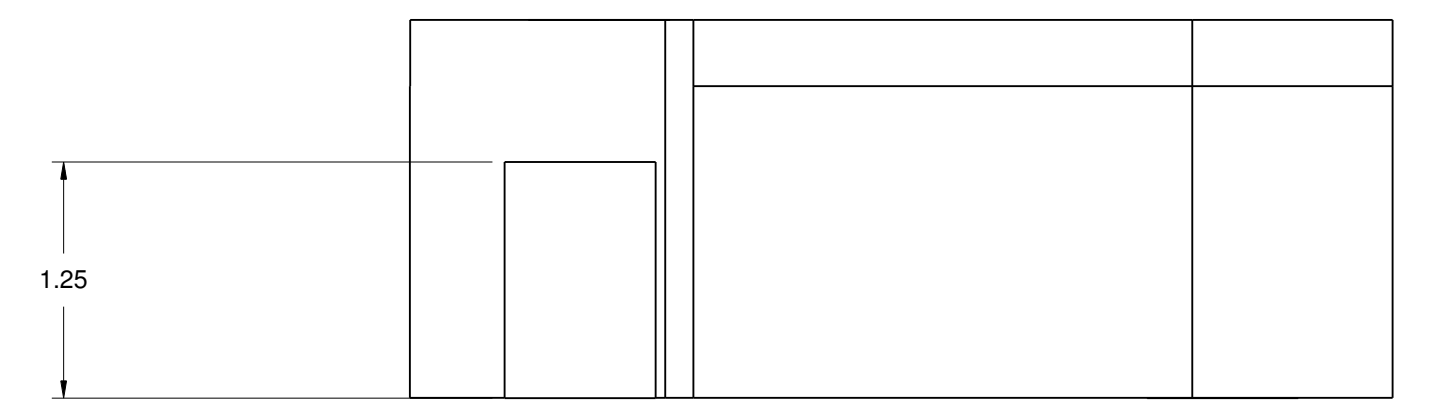
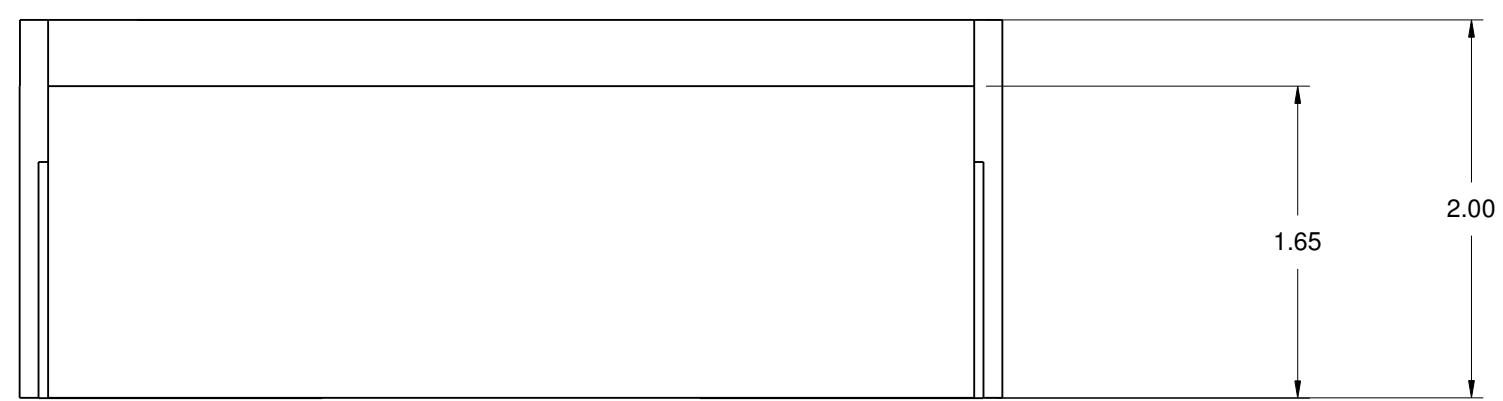
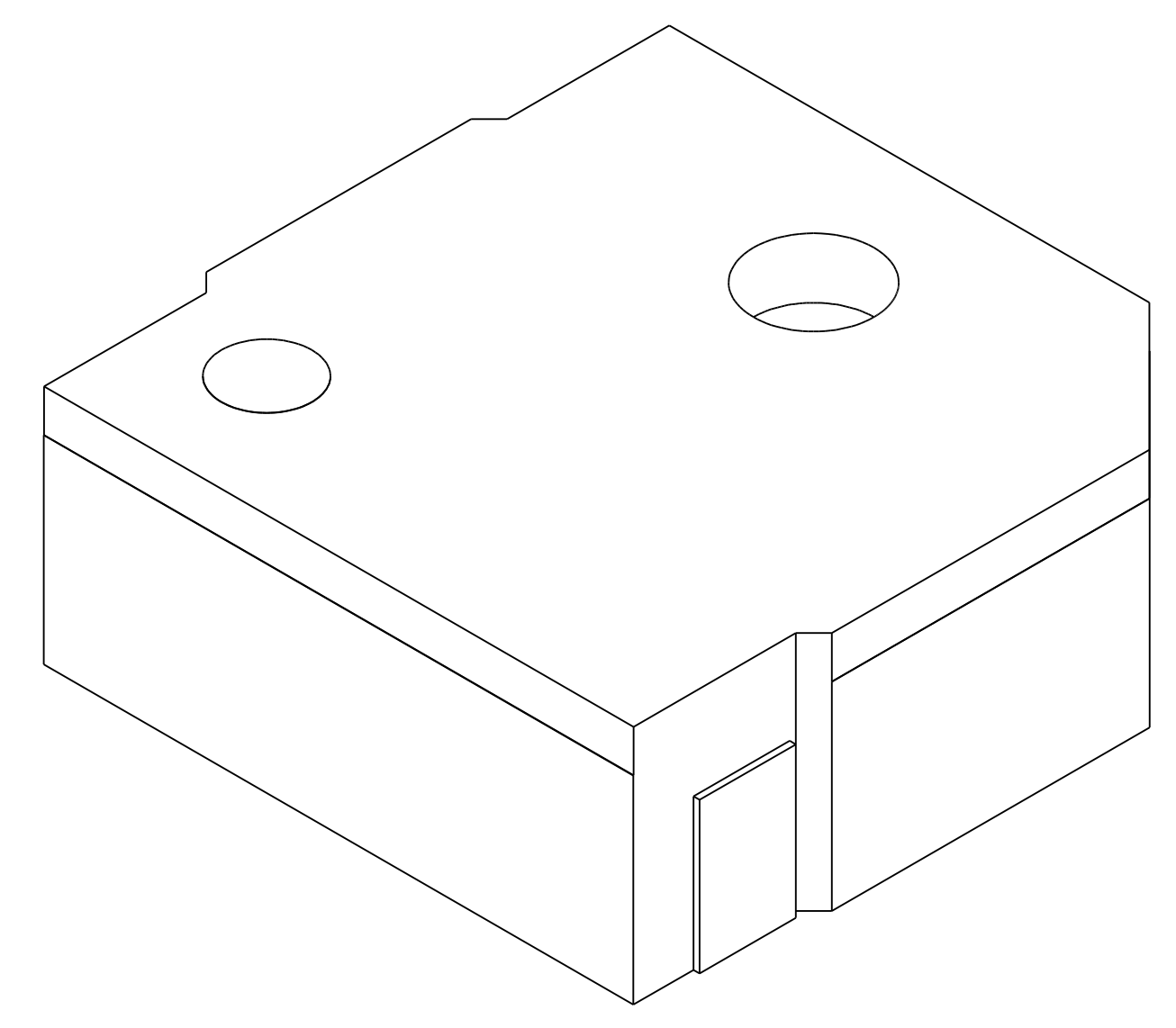
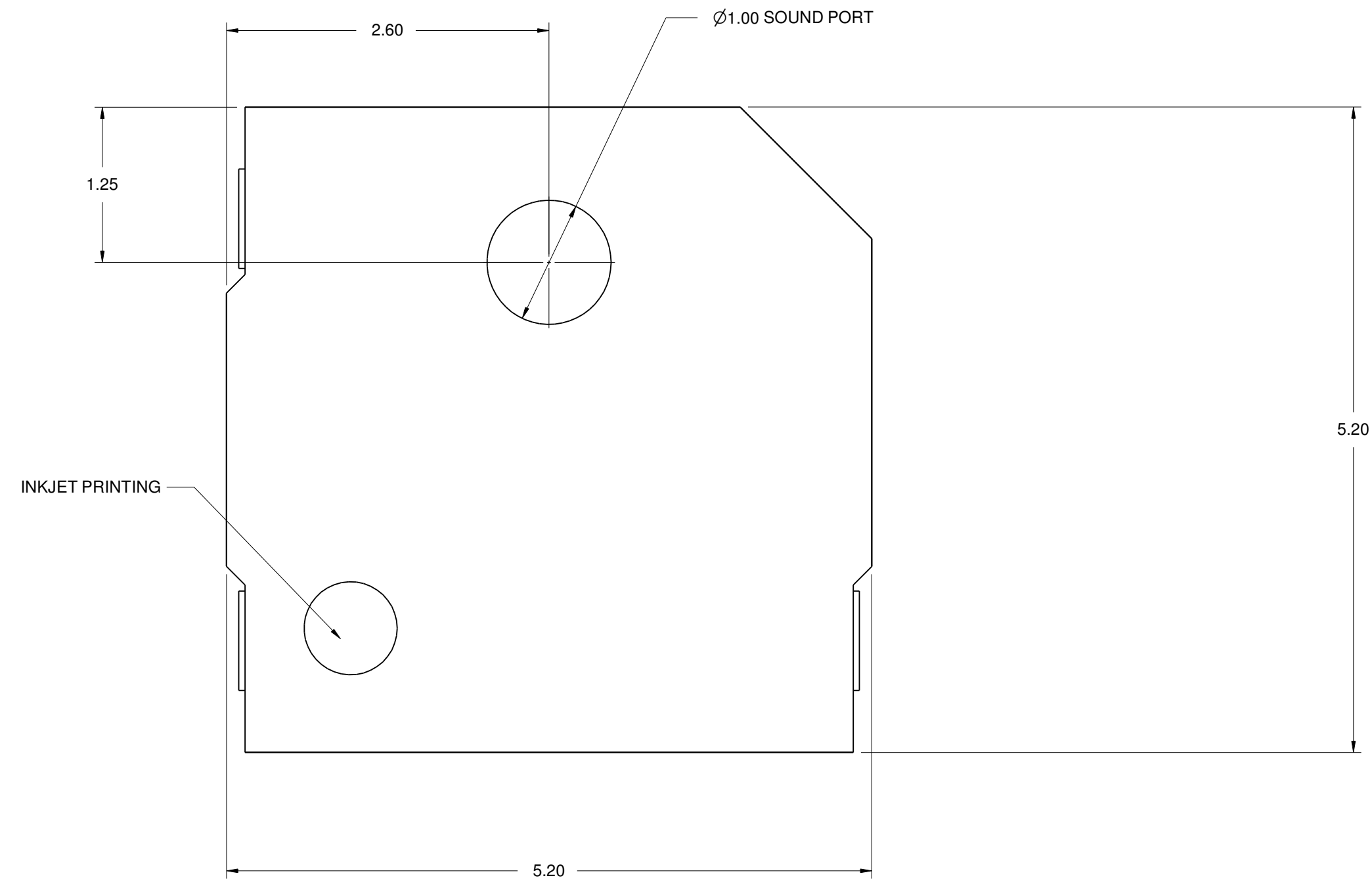


REVISIONS				
ZONE	REV	DESCRIPTION	DATE	APPROVED



No.	Part Name	Material	Quantity
1	Case	LCP	1
2	Diaphragm	Ferrum	1
3	Magnet Ring	NdFeB	1
4	Coil	Copper	1
5	Core	Ferrum	1
6	Case	LCP	1



ALL TOLERANCES +/- .3MM UNLESS NOTED

SIZE	FSCM NO.	DWG NO.	REV
D		ST-0502	
SCALE	1:1	SHEET	1 OF 1