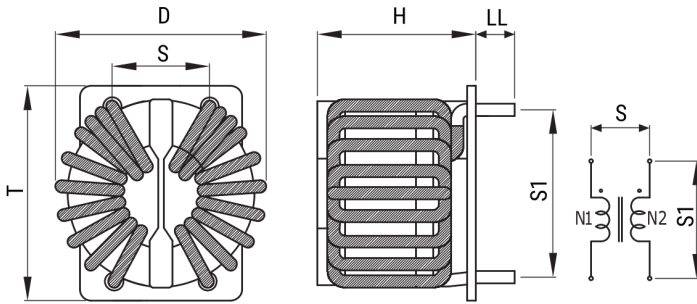


SC-15-E50JH

Aliases (UALSC15E50JH00)

KEMET, SC-JH, AC Line Filters, Common Mode, 5.2 mH



Click [here](#) for the 3D model.

Dimensions

| | |
|-----------|------------|
| D | 42mm MAX |
| T | 41mm MAX |
| H | 30mm MAX |
| LL | 5mm +/-2mm |
| S | 17mm NOM |
| S1 | 30mm NOM |
| Wire Size | 1.5mm |

Packaging Specifications

| | |
|--------------------|--------|
| Packaging | Tray |
| Packaging Quantity | 100 |
| Component Weight | 83.8 g |

General Information

| | |
|---------------|---|
| Series | SC-JH |
| Style | Through-Hole |
| RoHS | Yes |
| Notes | Lead Spacing (S/S1) Are For Reference Only. |
| Miscellaneous | Temperature Rise Maximum: 85 K. |
| Core | Mn-Zn Ferrite |

Specifications

| | |
|-------------------|-----------------|
| Voltage AC | 250 VAC |
| Inductance | 5.2 mH (10 kHz) |
| Current | 15 A |
| Temperature Range | -25/+120°C |
| DC Resistance | 19.3 mOhms |