



**MB39C603**

## Phase Dimmable PSR LED Driver IC for LED Lighting

MB39C603 is a Primary Side Regulation (PSR) LED driver IC for LED lighting. Using the information of the primary peak current and the transformer-energy-zero time, it is able to deliver a well regulated current to the secondary side without using an opto-coupler in an isolated flyback topology. Operating in critical conduction mode, a smaller transformer is required. In addition, MB39C603 has a built-in phase dimmable circuit and can constitute flicker less lighting systems for phase dimming with low-component count. It is most suitable for the general lighting applications, for example replacement of commercial and residential incandescent lamps.

### Features

- PSR topology in an isolated flyback circuit
- High power factor (>0.9 : without dimmer) in Single Conversion
- High efficiency (>80% : without dimmer) and low EMI by detecting transformer zero energy
- Built-in phase dimmable circuit
  - Dimming curve based on conduction angle
  - Dimmer hold current control
- Highly reliable protection functions
  - Under voltage lock out (UVLO)
  - Over voltage protection (OVP)
  - Over current protection (OCP)
  - Over temperature protection (OTP)
- Switching frequency setting : 30 kHz to 133 kHz
- Input voltage range VDD : 9V to 20V
- Input voltage for LED lighting applications : AC110V<sub>RMS</sub>
- Output power range for LED lighting applications : 15W to 50W
- Package : SOP-14 (5.30 mm × 10.15 mm × 2.25 mm[Max])

### Applications

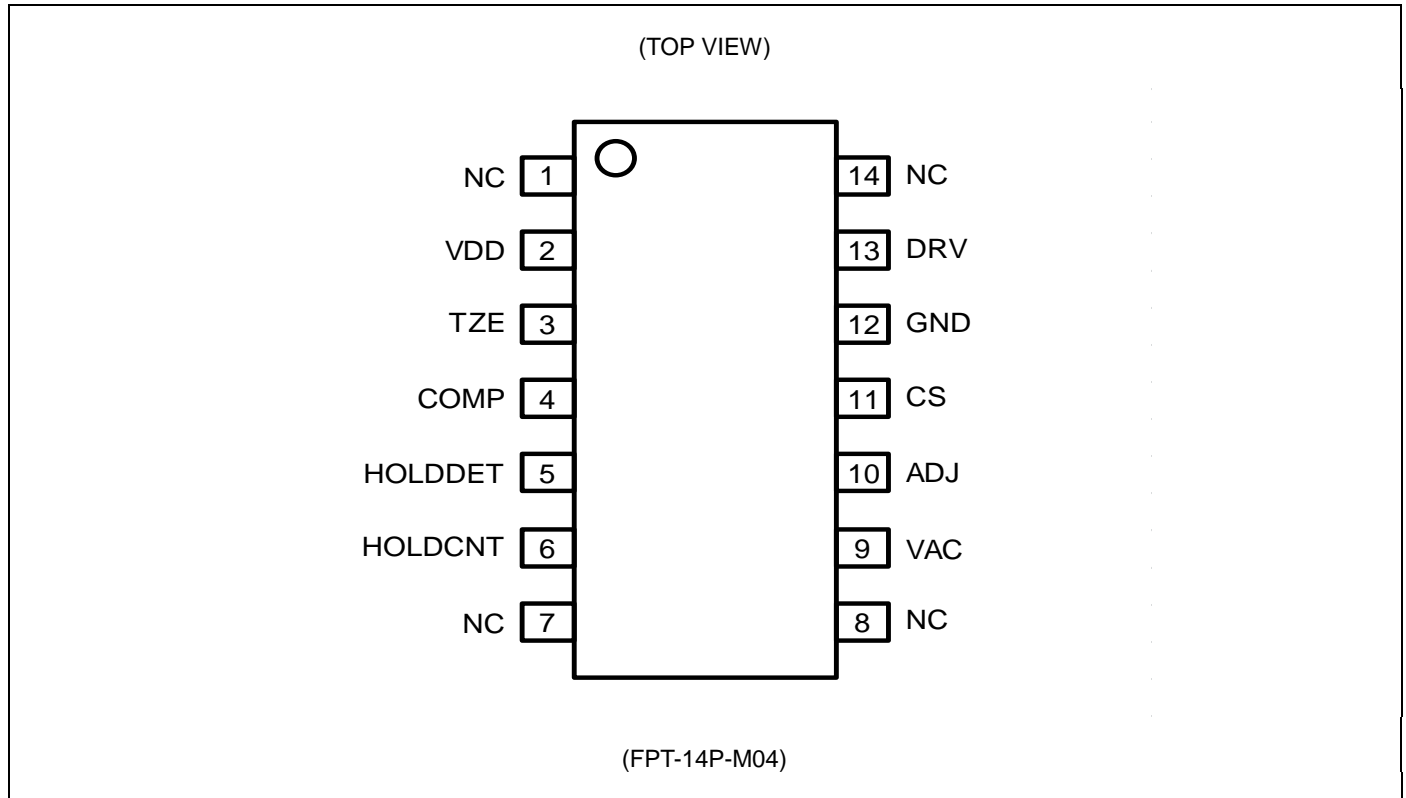
- Phase dimmable (Leading/Trailing) LED lighting
- LED lighting

## Contents

<b>1. Pin Assignment</b> .....	<b>3</b>
<b>2. Pin Descriptions</b> .....	<b>3</b>
<b>3. Block Diagram</b> .....	<b>4</b>
<b>4. Absolute Maximum Ratings</b> .....	<b>5</b>
<b>5. Recommended Operating Conditions</b> .....	<b>6</b>
<b>6. Electrical Characteristics</b> .....	<b>7</b>
<b>7. Standard Characteristics</b> .....	<b>9</b>
<b>8. Function Explanations</b> .....	<b>10</b>
8.1 LED Current Control by PSR(Primary Side Regulation).....	10
8.2 PFC (Power Factor Correction) Function .....	11
8.3 Phase Dimming Function .....	11
8.4 HOLD Current Control Function .....	12
8.5 Power-On Sequence .....	13
8.6 Power-Off Sequence .....	14
8.7 I <sub>P_PEAK</sub> Detection Function .....	14
8.8 Zero Voltage Switching Function.....	14
8.9 Protection Functions.....	15
<b>9. I/O Pin Equivalent Circuit Diagram</b> .....	<b>16</b>
<b>10. Application Examples</b> .....	<b>18</b>
10.1 17W Isolated and Phase Dimming Application.....	18
<b>11. Usage Precautions</b> .....	<b>26</b>
<b>12. Ordering Information</b> .....	<b>27</b>
<b>13. Marking Format</b> .....	<b>27</b>
<b>14. Recommended Mounting Condition [JEDEC Level3] Lead Free</b> .....	<b>28</b>
14.1 Recommended Reflow Condition .....	28
14.2 Reflow Profile .....	28
<b>15. Package Dimensions</b> .....	<b>29</b>
<b>16. Major Changes</b> .....	<b>30</b>
<b>Document History</b> .....	<b>31</b>

## 1. Pin Assignment

Figure 1-1 Pin Assignment



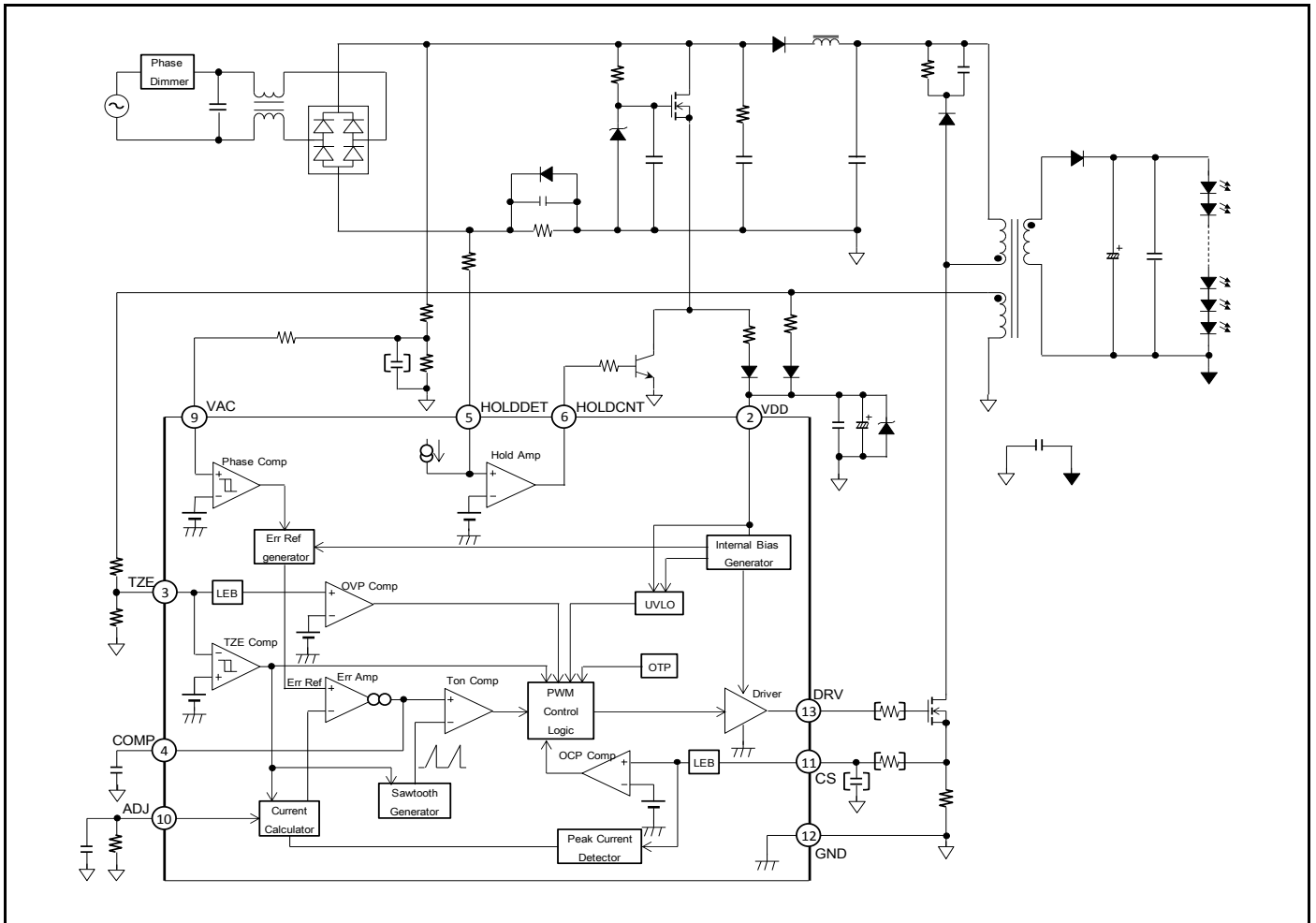
## 2. Pin Descriptions

Table 2-1 Pin Descriptions

Pin No.	Pin Name	I/O	Description
1	NC	-	Not used. Leave this pin open.
2	VDD	-	Power supply pin.
3	TZE	I	Transformer Zero Energy detecting pin.
4	COMP	O	External Capacitor connection pin for the compensation.
5	HOLDDDET	I	Phase Dimmer current detecting pin.
6	HOLDCNT	O	External BIP base current control pin.
7	NC	-	Not used. Leave this pin open.
8	NC	-	Not used. Leave this pin open.
9	VAC	I	Phase Dimmer conduction angle detecting pin.
10	ADJ	O	Pin for adjusting the switch-on timing.
11	CS	I	Pin for detecting peak current of transformer primary winding.
12	GND	-	Ground pin.
13	DRV	O	External MOSFET gate connection pin.
14	NC	-	Not used. Leave this pin open.

### 3. Block Diagram

Figure 3-1 Block Diagram (Isolated Flyback Application)



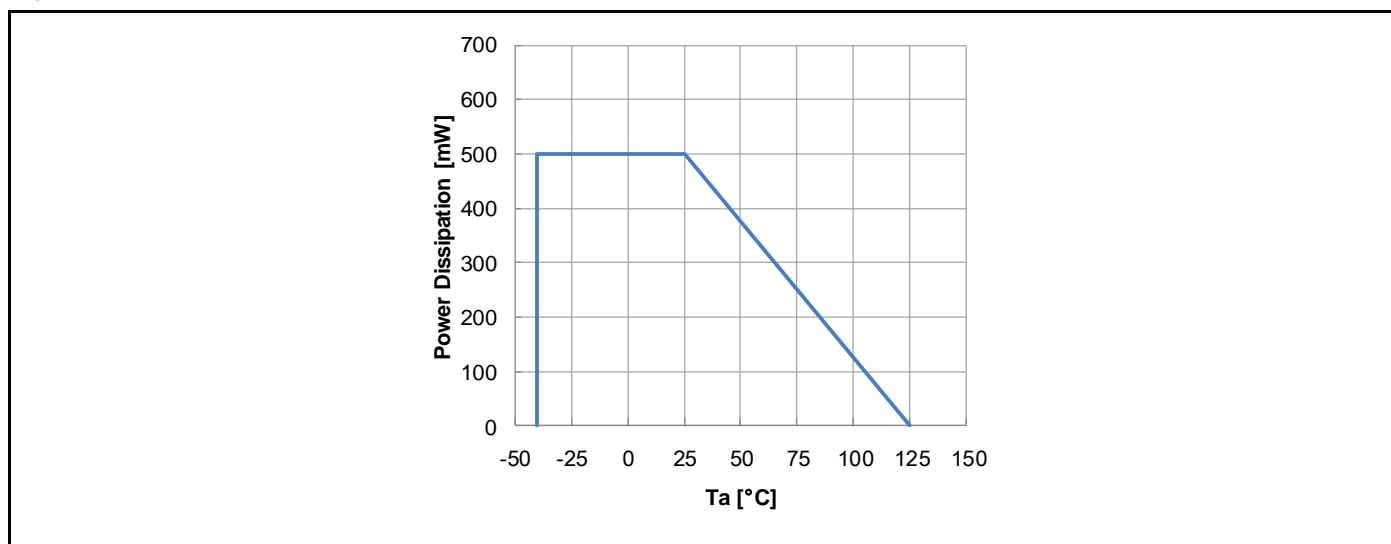
## 4. Absolute Maximum Ratings

**Table 4-1 Absolute Maximum Ratings**

Parameter	Symbol	Condition	Rating		Unit
			Min	Max	
Power Supply Voltage	$V_{VDD}$	VDD pin	-0.3	+25	V
Input Voltage	$V_{CS}$	CS pin	-0.3	+6.0	V
	$V_{TZE}$	TZE pin	-0.3	+6.0	V
	$V_{HOLDDDET}$	HOLDDDET pin	-0.3	+6.0	V
	$V_{VAC}$	VAC pin	-0.3	+6.0	V
Output Voltage	$V_{DRV}$	DRV pin	-0.3	+25	V
	$V_{HOLDCNT}$	HOLDCNT pin	-0.3	+6.0	V
Output Current	$I_{ADJ}$	ADJ pin	-1	-	mA
	$I_{DRV}$	DRV pin DC level	-50	+50	mA
	$I_{HOLDCNT}$	HOLDCNT pin	-400	-	$\mu$ A
Power Dissipation	$P_D$	$T_a \leq +25^\circ\text{C}$	-	500(*1)	mW
Storage Temperature	$T_{STG}$	-	-55	+125	$^\circ\text{C}$
ESD Voltage 1	$V_{ESDH}$	Human Body Model	-2000	+2000	V
ESD Voltage 2	$V_{ESDC}$	Charged Device Model	-1000	+1000	V

\*1: The value when using two layers PCB.

Reference:  $\theta_{ja}$  (wind speed 0m/s):  $200^\circ\text{C/W}$

**Figure 4-1 Power Dissipation**

**WARNING:**

1. Semiconductor devices may be permanently damaged by application of stress (including, without limitation, voltage, current or temperature) in excess of absolute maximum ratings. Do not exceed any of these ratings.

## 5. Recommended Operating Conditions

**Table 5-1 Recommended Operating Conditions**

Parameter	Symbol	Condition	Value			Unit
			Min	Typ	Max	
VDD pin Input Voltage	$V_{VDD}$	VDD pin	9	-	20	V
VAC pin Resistance	$R_{VAC}$	VAC pin	-	510	-	k $\Omega$
TZE pin Resistance	$R_{TZE}$	TZE pin	50	-	200	k $\Omega$
ADJ pin Resistance	$R_{ADJ}$	ADJ pin	9.3	-	185.5	k $\Omega$
COMP pin Capacitance	$C_{COMP}$	COMP pin	-	4.7	-	$\mu$ F
VDD pin Capacitance	$C_{BP}$	Set between VDD pin and GND pin	-	100	-	$\mu$ F
Operating Junction Temperature	$T_j$	-	-40	-	+125	$^{\circ}$ C

**WARNING:**

1. The recommended operating conditions are required in order to ensure the normal operation of the semiconductor device. All of the device's electrical characteristics are warranted when the device is operated under these conditions.
2. Any use of semiconductor devices will be under their recommended operating condition.
3. Operation under any conditions other than these conditions may adversely affect reliability of device and could result in device failure.
4. No warranty is made with respect to any use, operating conditions or combinations not represented on this data sheet. If you are considering application under any conditions other than listed herein, please contact sales representatives beforehand.

## 6. Electrical Characteristics

**Table 6-1 Electrical Characteristics**

 (Ta = +25°C, V<sub>VDD</sub> = 12V)

Parameter		Symbol	Pin	Condition	Value			Unit
					Min	Typ	Max	
UVLO	UVLO Turn-on threshold voltage	V <sub>TH</sub>	VDD	-	9.6	10.2	10.8	V
	UVLO Turn-off threshold voltage	V <sub>TL</sub>	VDD	-	7.55	8	8.5	V
	Startup current	I <sub>START</sub>	VDD	V <sub>VDD</sub> = 7V	-	65	160	μA
TRANSFORMER ZERO ENERGY DETECTION	Zero energy threshold voltage	V <sub>TZETL</sub>	TZE	TZE = "H" to "L"	-	20	-	mV
	Zero energy threshold voltage	V <sub>TZETH</sub>	TZE	TZE = "L" to "H"	0.6	0.7	0.8	V
	TZE clamp voltage	V <sub>TZECLAMP</sub>	TZE	I <sub>TZE</sub> = -10 μA	-200	-160	-100	mV
	OVP threshold voltage	V <sub>TZEOVP</sub>	TZE	-	4.15	4.3	4.45	V
	OVP blanking time	t <sub>OVPBLANK</sub>	TZE	-	0.6	1	1.7	μs
	TZE input current	I <sub>TZE</sub>	TZE	V <sub>TZE</sub> = 5V	-1	-	+1	μA
COMPENSATION	Source current	I <sub>SO</sub>	COM <sub>P</sub>	V <sub>COMP</sub> = 2V, V <sub>CS</sub> = 0V, Conduction Angle = 165deg	-	-27	-	μA
	Trans conductance	gm	COM <sub>P</sub>	V <sub>COMP</sub> = 2.5V, V <sub>CS</sub> = 1V	-	96	-	μA/V
ADJUSTMENT	ADJ voltage	V <sub>ADJ</sub>	ADJ	-	1.81	1.85	1.89	V
	ADJ source current	I <sub>ADJ</sub>	ADJ	V <sub>ADJ</sub> = 0V	-650	-450	-250	μA
	ADJ time	t <sub>ADJ</sub>	TZE DRV	t <sub>ADJ</sub> (R <sub>ADJ</sub> = 51 kΩ) - t <sub>ADJ</sub> (R <sub>ADJ</sub> = 9.1 kΩ)	490	550	610	ns
	Minimum switching period	T <sub>SW</sub>	TZE DRV	-	6.75	7.5	8.25	μs
CURRENT SENSE	OCP threshold voltage	V <sub>OCPH</sub>	CS	-	1.9	2	2.1	V
	OCP delay time	t <sub>OCPDLY</sub>	CS	-	-	400	500	ns
	CS input current	I <sub>CS</sub>	CS	V <sub>CS</sub> = 5V	-1	-	+1	μA

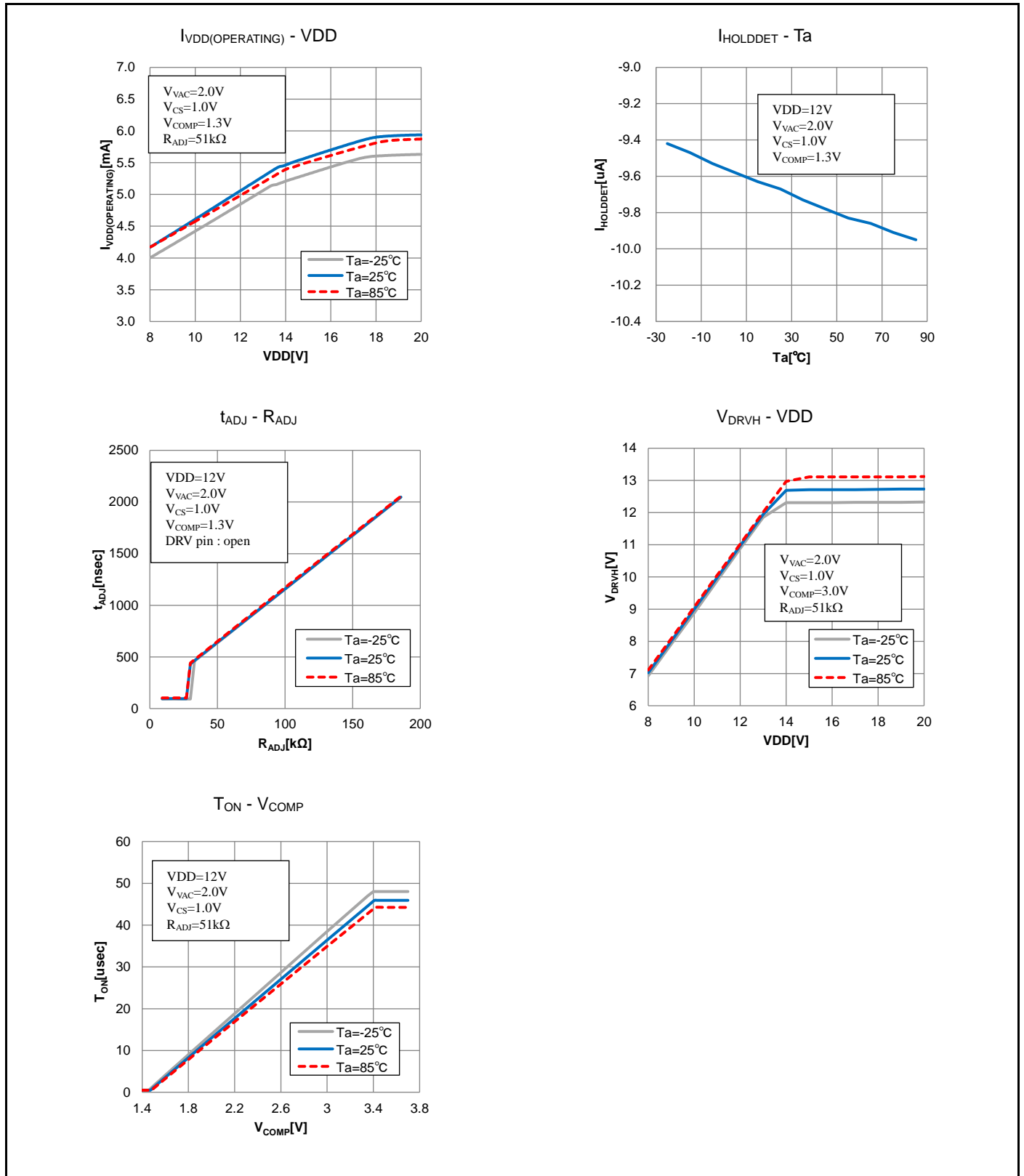
(Ta = +25°C, V<sub>VDD</sub> = 12V)

Parameter		Symbol	Pin	Condition	Value			Unit
					Min	Typ	Max	
DRV	DRV high voltage	V <sub>DRVH</sub>	DRV	V <sub>VDD</sub> = 18V, I <sub>DRV</sub> = -30 mA	7.6	9.4	-	V
	DRV low voltage	V <sub>DRVL</sub>	DRV	V <sub>VDD</sub> = 18V, I <sub>DRV</sub> = 30 mA	-	130	260	mV
	Rise time	t <sub>RISE</sub>	DRV	V <sub>VDD</sub> = 18V, C <sub>LOAD</sub> = 1 nF	-	94	-	ns
	Fall time	t <sub>FALL</sub>	DRV	V <sub>VDD</sub> = 18V, C <sub>LOAD</sub> = 1 nF	-	16	-	ns
	Minimum on time	t <sub>ONMIN</sub>	DRV	TZE trigger	300	500	700	ns
	Maximum on time	t <sub>ONMAX</sub>	DRV	-	27	44	60	μs
	Minimum off time	t <sub>OFFMIN</sub>	DRV	-	1	1.5	1.93	μs
	Maximum off time	t <sub>OFFMAX</sub>	DRV	TZE = GND	37	46	55	μs
OTP	OTP threshold	T <sub>OTP</sub>	-	T <sub>j</sub> , temperature rising	-	150	-	°C
	OTP hysteresis	T <sub>OTPHYS</sub>	-	T <sub>j</sub> , temperature falling, degrees below T <sub>OTP</sub>	-	25	-	°C
DIMMER CONDUCTION ANGLE DETECTION	Phase Comp threshold voltage	V <sub>PHTH1</sub>	VAC	VAC = "L" to "H"	0.9	1.0	1.1	V
	Phase Comp threshold voltage	V <sub>PHTH2</sub>	VAC	VAC = "H" to "L"	0.45	0.5	0.55	V
	Phase Comp hysteresis	V <sub>PHHYS</sub>	VAC	-	-	0.5	-	V
TRIAC HOLD CURRENT CONTROL	HOLDDDET input current	I <sub>HOLDDDET</sub>	HOLD DET	-	-10.0 9	-9.7	-9.32	μA
	Hold Amp threshold voltage	V <sub>HOLDTH</sub>	HOLD CNT	-	375	400	425	mV
	HOLDCNT Maximum output voltage	V <sub>CNTOH</sub>	HOLD CNT	V <sub>HOLDDDET</sub> = 0.6V, R <sub>BASE</sub> = 16 kΩ, V <sub>BASE</sub> = 0.7V	3.4	-	-	V
	HOLDCNT Minimum output voltage	V <sub>CNTOL</sub>	HOLD CNT	V <sub>HOLDDDET</sub> = 0.2V, R <sub>BASE</sub> = 16 kΩ, V <sub>BASE</sub> = 0.7V	-	-	0.8	V
	HOLDCNT source current	I <sub>CNTSO</sub>	HOLD CNT	V <sub>HOLDDDET</sub> = 0.6V, R <sub>BASE</sub> = 16 kΩ, V <sub>BASE</sub> = 0.7V	-250	-200	-167	μA
POWER SUPPLY CURRENT	Power supply current	I <sub>VDD(STATIC)</sub>	VDD	V <sub>VDD</sub> = 20V, V <sub>TZE</sub> = 1V	-	3.3	4	mA
		I <sub>VDD(OPERATING)</sub>	VDD	V <sub>VDD</sub> = 20V, Q <sub>g</sub> = 20 nC, f <sub>SW</sub> = 133 kHz	-	5.9	-	mA



## 7. Standard Characteristics

Figure 7-1 Standard Characteristics



## 8. Function Explanations

### 8.1 LED Current Control by PSR(Primary Side Regulation)

MB39C603 regulates the average LED current ( $I_{LED}$ ) by feeding back the information based on Primary Winding peak current ( $I_{P\_PEAK}$ ), Secondary Winding energy discharge time ( $T_{DIS}$ ) and switching period ( $T_{SW}$ ). Figure 8-1 shows the operating waveform in steady state.  $I_P$  is Primary Winding current and  $I_S$  is Secondary Winding current.  $I_{LED}$  as an average current of the Secondary Winding is described by the following equation.

$$I_{LED} = \frac{1}{2} \times I_{S\_PEAK} \times \frac{T_{DIS}}{T_{SW}}$$

Using  $I_{P\_PEAK}$  and the transformer Secondary to Primary turns ratio ( $N_P/N_S$ ), Secondary Winding peak current ( $I_{S\_PEAK}$ ) is described by the following equation.

$$I_{S\_PEAK} = \frac{N_P}{N_S} \times I_{P\_PEAK}$$

Therefore,

$$I_{LED} = \frac{1}{2} \times \frac{N_P}{N_S} \times I_{P\_PEAK} \times \frac{T_{DIS}}{T_{SW}}$$

MB39C603 detects  $T_{DIS}$  by monitoring the TZE pin and  $I_{P\_PEAK}$  by monitoring the CS pin and then controls  $I_{LED}$ . An internal Err Amp sinks  $gm$  current proportional to  $I_{P\_PEAK}$  from the COMP pin during  $T_{DIS}$  period. In steady state, since the average of the  $gm$  current is equal to internal reference current ( $I_{SO}$ ), the voltage on the COMP pin ( $V_{COMP}$ ) is nearly constant.

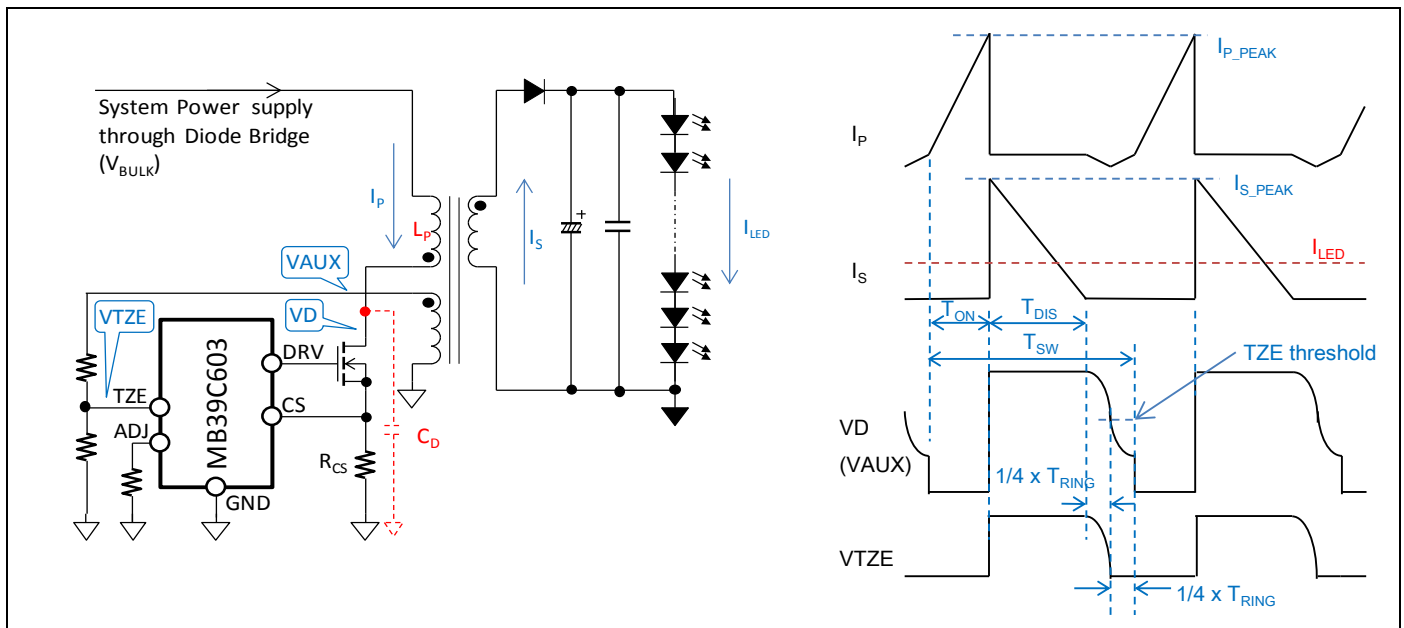
$$I_{P\_PEAK} \times R_{CS} \times gm \times T_{DIS} = I_{SO} \times T_{SW}$$

In above equation,  $gm$  is transconductance of the Err Amp and  $R_{CS}$  is a sense resistance.

Eventually,  $I_{LED}$  can be calculated by the following equation.

$$I_{LED} = \frac{1}{2} \times \frac{N_P}{N_S} \times \frac{I_{SO}}{gm} \times \frac{1}{R_{CS}}$$

**Figure 8-1 LED Current Control Waveform**



### 8.2 PFC (Power Factor Correction) Function

Switching on time ( $T_{ON}$ ) is generated by comparing  $V_{COMP}$  with an internal sawtooth waveform (refer to Figure 3-1). Since  $V_{COMP}$  is slow varying with connecting an external capacitor ( $C_{COMP}$ ) from the COMP pin to the GND pin,  $T_{ON}$  is nearly constant within an AC line cycle. In this state,  $I_{P\_PEAK}$  is nearly proportional to the AC line voltage ( $V_{BULK}$ ). It can bring the phase differences between the input voltage and the input current close to zero, so that high Power Factor can be achieved.

### 8.3 Phase Dimming Function

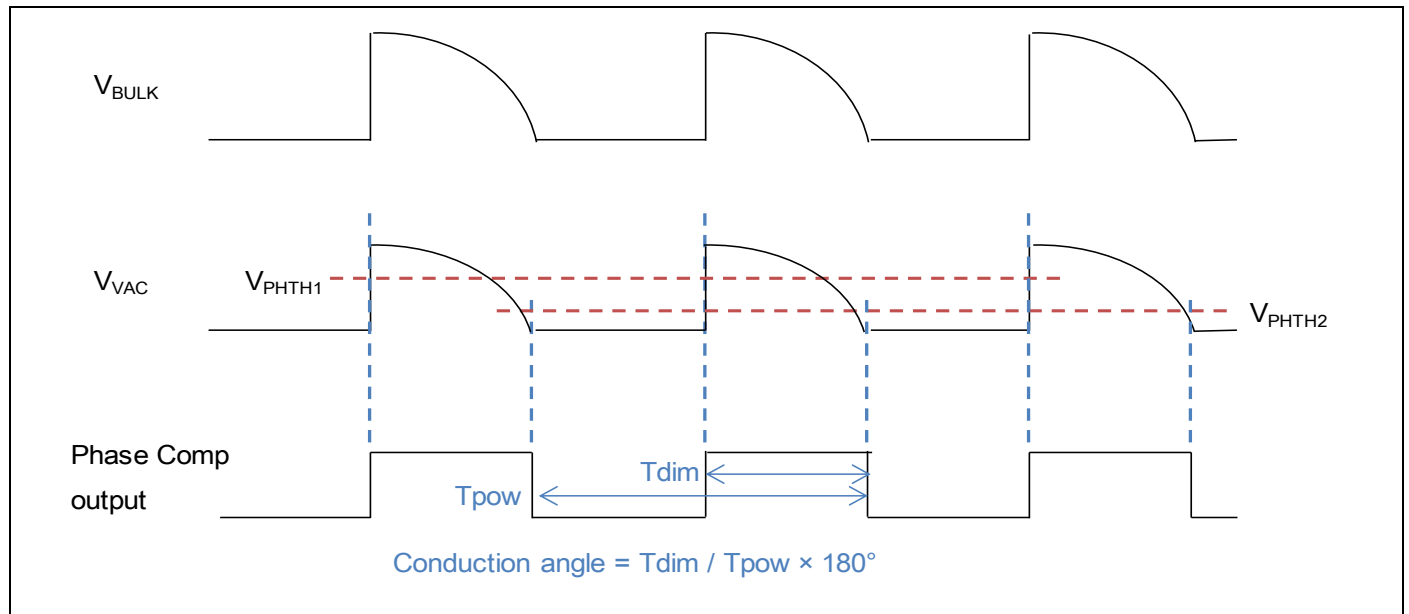
MB39C603 is compatible with both leading-edge dimmers (TRIAC dimming) and trailing-edge dimmers.

To realize the phase dimming, this device has two functions, dimmer conduction angle detect function for LED current control and TRIAC dimmer hold current control function.

Figure 8-2 shows how MB39C603 detects the conduction angle.  $V_{BULK}$  is scaled via a resistor divider connected to the VAC pin. The conduction angle is detected by monitoring the voltage on the VAC pin ( $V_{VAC}$ ).

MB39C603 measures a half of power cycle period ( $T_{pow}$ ) as duration between negative crossings of  $V_{VAC}$  and a Phase Comp threshold voltage ( $V_{PHTH2}$ ). Dimmer-ON period ( $T_{dim}$ ) is measured as duration between a positive crossing of  $V_{VAC}$  and another Phase Comp threshold voltage ( $V_{PHTH1}$ ) and the following negative crossing. Conduction angle is defined as  $T_{dim}/T_{pow} \times 180^\circ$ .

**Figure 8-2 Conduction Angle Detection Waveform**



MB39C603 regulates LED current by changing a reference of Err Amp as a function of the conduction angle. Table 8-1 shows  $I_{LED}$  dimming ratio based on the conduction angle.

In addition, the initial  $I_{LED}$  ratio in Power-On state is 5%.

**Table 8-1  $I_{LED}$  Ratio Based on Conduction Angles**

Conduction Angle	$I_{LED}$ Ratio [%]
$\theta < 45\text{deg}$	5
$45\text{deg} \leq \theta < 90\text{deg}$	$(25/45) \times \theta - 20$
$90\text{deg} \leq \theta < 135\text{deg}$	$(70/45) \times \theta - 110$
$135\text{deg} \leq \theta$	100

### 8.4 HOLD Current Control Function

The hold current control function prevents LEDs from flickering caused by shortage of hold current. The hold current ( $I_{HOLD}$ ) is the minimum current required to flow through TRIAC dimmer in order to keep the TRIAC on (refer to Figure 8-3). In small conduction angle, since  $I_{LED}$  can be low, AC/DC Converter current ( $I_{BULK}$ ) and TRIAC dimmer current ( $I_{TRIAC}$ ) are reduced. Once  $I_{TRIAC}$  falls below  $I_{HOLD}$ , TRIAC goes off and this results in LED flickering. MB39C603 controls  $I_{TRIAC}$  larger than  $I_{HOLD}$  by adding the current ( $I_{BIP}$ ) via a BIP transistor (M1) with sensing  $I_{TRIAC}$  and keeps the TRIAC on.

$I_{TRIAC}$  is sensed with a resistor ( $R_S$ ). A bypass diode ( $D_{BYPASS}$ ) is used to clamp the voltage between  $R_S$  terminals ( $V_{RS}$ ) and prevent the voltage on the HOLDDET pin ( $V_{HOLDDET}$ ) from exceeding absolute maximum ratings. An offset resistor ( $R_{OFFSET}$ ) is used to add an offset voltage to  $V_{HOLDDET}$  and prevent  $V_{HOLDDET}$  from the above ratings.

$R_S$  is set as the following equation.

$$R_S = \frac{R_{OFFSET} \times I_{HOLDDET} - V_{HOLDTH}}{I_{TRIACMIN}}$$

where  $I_{HOLDDET}$  is the current of the HOLDDET pin,  $V_{HOLDTH}$  is Hold Amp threshold voltage, and  $I_{TRIACMIN}$  is minimum TRIAC current chosen by designers.

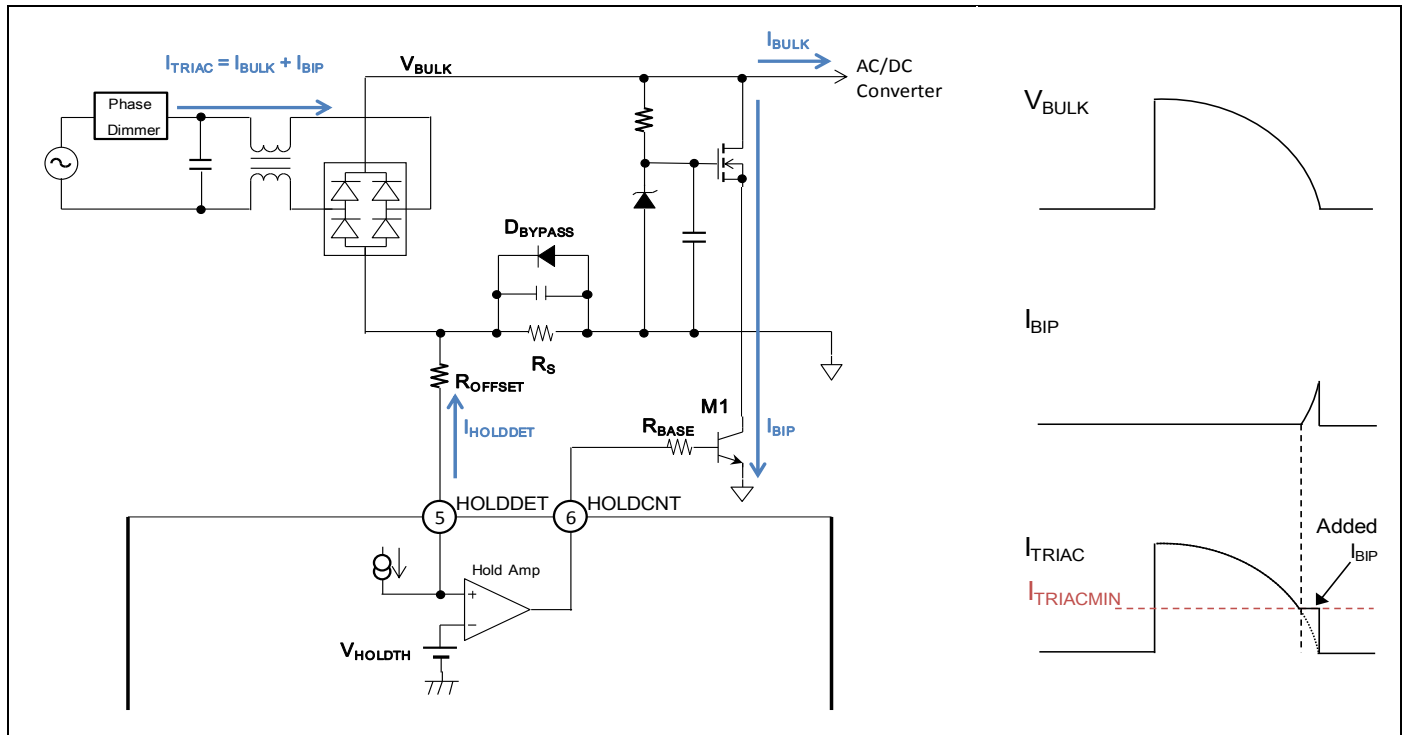
$R_{OFFSET}$  is set as the following equation.

$$R_{OFFSET} > \frac{V_{BYPASSMAX} - 0.3V}{I_{HOLDDET}}$$

where  $V_{BYPASSMAX}$  is the maximum forward voltage of  $D_{BYPASS}$ .

Hold Amp is designed only for driving BIP transistors. Connecting a resistor ( $R_{BASE}$ ) between the HOLDCNT pin and M1 base terminal limits the maximum  $I_{BIP}$  value and clamp the rush current at TRIAC dimmer-on timing.

Figure 8-3 HOLD Current Control Waveform



### 8.5 Power-On Sequence

When the AC line voltage is supplied,  $V_{BULK}$  is powered from the AC line through a diode bridge, and the VDD pin is charged from  $V_{BULK}$  through an external source-follower BiasMOS. (Figure 8-4 red path)

When the VDD pin is charged up and the voltage on the VDD pin ( $V_{VDD}$ ) rises above the UVLO threshold voltage, an internal Bias circuit starts operating, and MB39C603 starts the conduction angle detection (refer to 8.3). After the UVLO is released, this device enables switching and is operating in a forced switching mode ( $T_{ON} = 1.5 \mu s$ ,  $T_{OFF} = 78 \mu s$  to  $320 \mu s$ ). When the voltage on the TZE pin reaches the Zero energy threshold voltage ( $V_{TZETH} = 0.7V$ ), MB39C603 enters normal operation mode. After the switching begins, the VDD pin is also charged from Auxiliary Winding through an external diode (DBIAS). (Figure 8-4 blue path)

During non-conduction period  $V_{VDD}$  is not supplied from  $V_{BULK}$  or Auxiliary Winding. It is necessary to set an appropriate capacitor of the VDD pin in order to keep  $V_{VDD}$  above the UVLO threshold voltage in this period. An external diode (D1) between BiasMOS and the VDD pin is used to prevent discharge from the VDD pin to  $V_{BULK}$  at zero cross points of the AC line voltage.

Figure 8-4 VDD Supply Path at Power-On

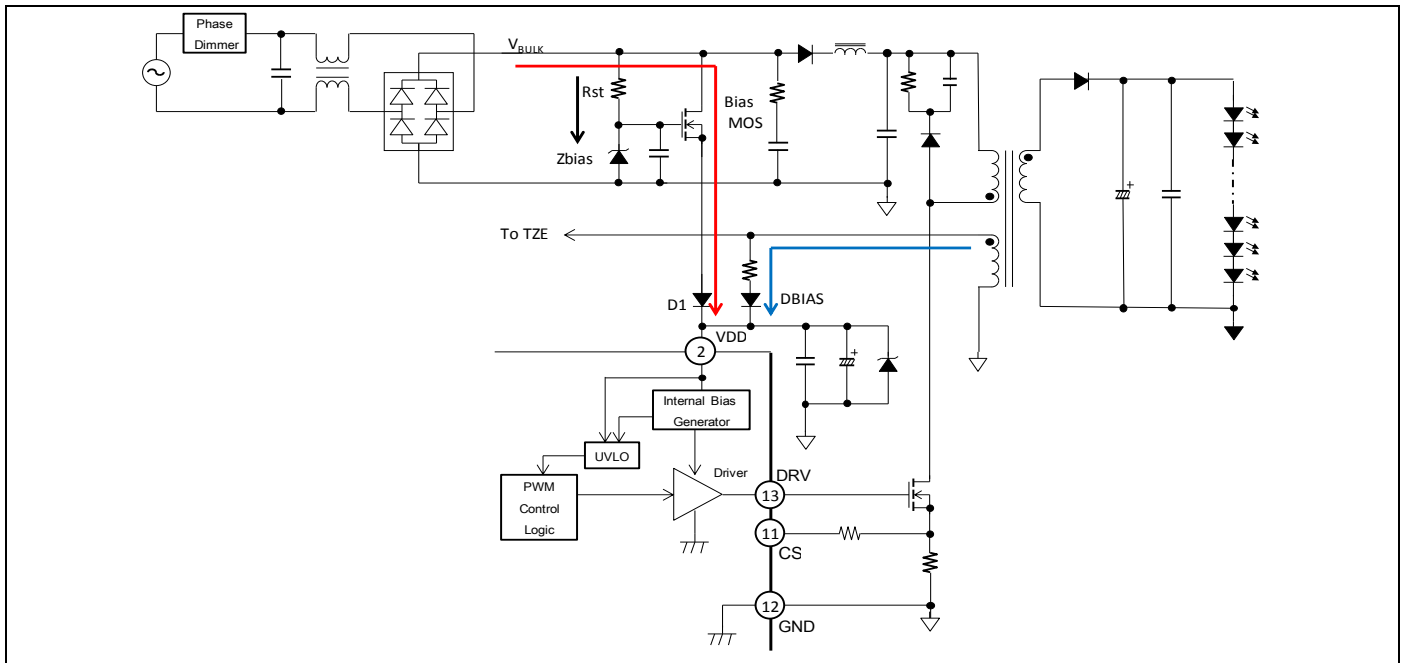
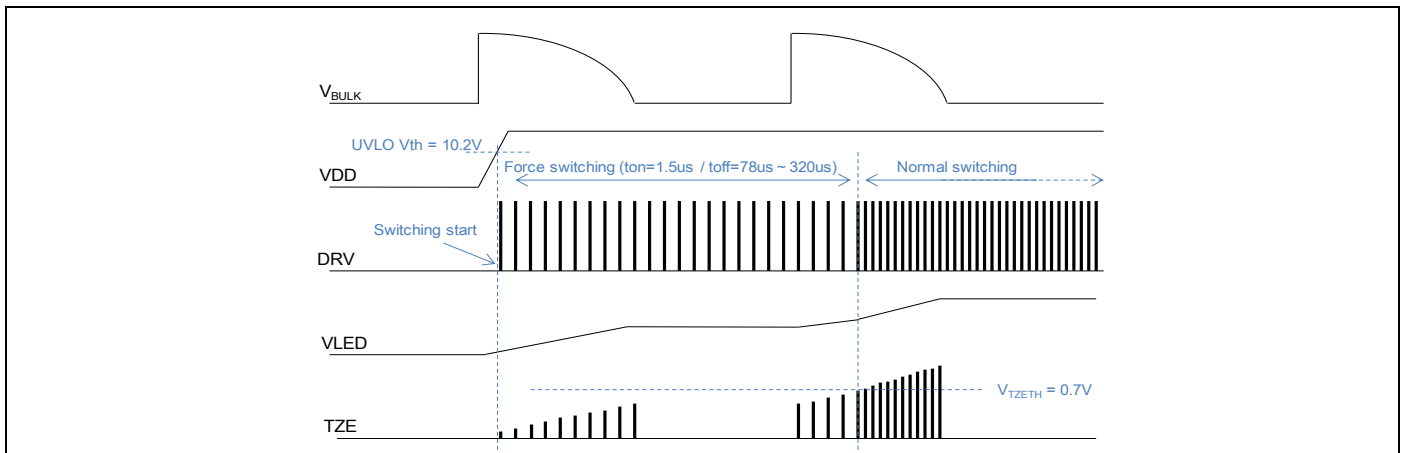


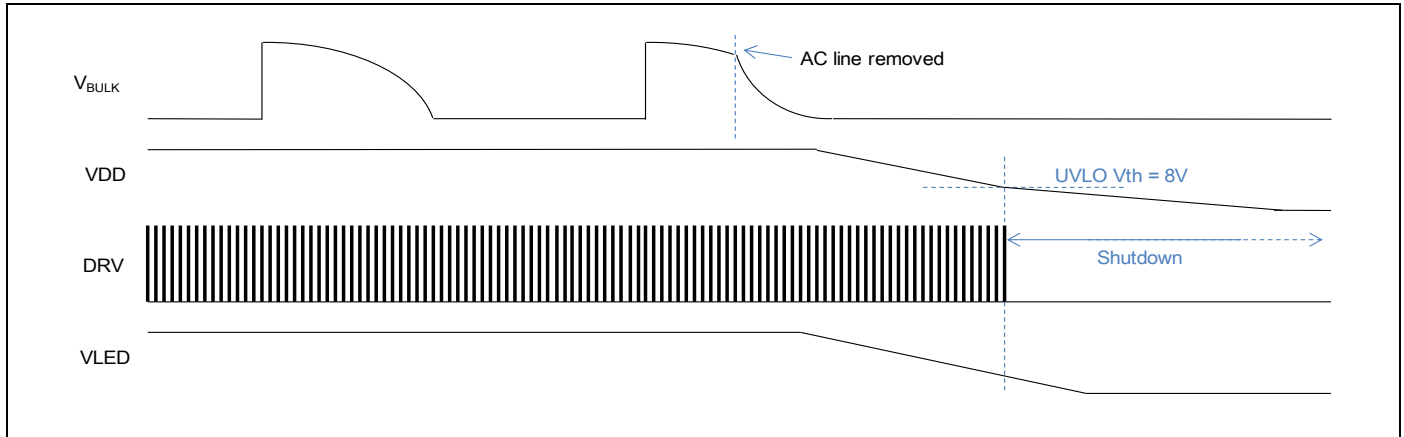
Figure 8-5 Power-On Waveform



### 8.6 Power-Off Sequence

After the AC line voltage is removed,  $V_{BULK}$  is discharged by switching operation and the Hold current circuit. Since any Secondary Winding current does not flow,  $I_{LED}$  is supplied only from output capacitors and decreases gradually.  $V_{VDD}$  also decreases because there is no current supply from both Auxiliary Winding and  $V_{BULK}$ . When  $V_{VDD}$  falls below the UVLO threshold voltage, MB39C603 shuts down.

**Figure 8-6 Power-Off Waveform**



### 8.7 $I_{P\_PEAK}$ Detection Function

MB39C603 detects Primary Winding peak current ( $I_{P\_PEAK}$ ) of Transformer.  $I_{LED}$  is set by connecting a sense resistance ( $R_{CS}$ ) between the CS pin and the GND pin. Maximum  $I_{P\_PEAK}$  ( $I_{P\_PEAKMAX}$ ) limited by Over Current Protection (OCP) can also be set with the resistance.

Using the Secondary to Primary turns ratio ( $N_P/N_S$ ) and  $I_{LED}$ ,  $R_{CS}$  is set as the following equation (refer to 8.1).

$$R_{CS} = \frac{N_P}{N_S} \times \frac{0.132}{I_{LED}}$$

In addition, using the OCP threshold voltage ( $V_{OCPTH}$ ) and  $R_{CS}$ ,  $I_{P\_PEAKMAX}$  is calculated with the following equation.

$$I_{P\_PEAKMAX} = \frac{V_{OCPTH}}{R_{CS}}$$

### 8.8 Zero Voltage Switching Function

MB39C603 has built-in zero voltage switching function to minimize switching loss of the external switching MOSFET. This device detects a zero crossing point through a resistor divider connected from the TZE pin to Auxiliary Winding. A zero energy detection circuit detects a negative crossing point of the voltage on the TZE pin to Zero energy threshold voltage ( $V_{TZETL}$ ). On-timing of switching MOSFET is decided with waiting an adjustment time ( $t_{ADJ}$ ) after the negative crossing occurs.

$t_{ADJ}$  is set by connecting an external resistance ( $R_{ADJ}$ ) between the ADJ pin and the GND pin. Using Primary Winding inductance ( $L_P$ ) and the parasitic drain capacitor of switching MOSFET ( $C_D$ ),  $t_{ADJ}$  is calculated with the following equation.

$$t_{ADJ} = \frac{\pi\sqrt{L_P \times C_D}}{2}$$

Using  $t_{ADJ}$ ,  $R_{ADJ}$  is set as the following equation.

$$R_{ADJ} [k\Omega] = 0.0927 \times t_{ADJ} [ns]$$

## 8.9 Protection Functions

### Under Voltage Lockout Protection (UVLO)

The under voltage lockout protection (UVLO) prevents IC from a malfunction in the transient state during  $V_{DD}$  startup and a malfunction caused by a momentary drop of  $V_{DD}$ , and protects the system from destruction/deterioration. An UVLO comparator detects the voltage decrease below the UVLO threshold voltage on the VDD pin, and then the DRV pin is turned to “L” and the switching stops. MB39C603 automatically returns to normal operation mode when  $V_{DD}$  increases above the UVLO threshold voltage.

### Over Voltage Protection (OVP)

The over voltage protection (OVP) protects Secondary side components from an excessive stress voltage. If the LED is disconnected, the output voltage of Secondary Winding rises up. The output overvoltage can be detected by monitoring the TZE pin. During Secondary Winding energy discharge time,  $V_{TZE}$  is proportional to  $V_{AUX}$  and the voltage of Secondary Winding (refer to 8.1). When  $V_{TZE}$  rises higher than the OVP threshold voltage for 3 continues switching cycles, the DRV pin is turned to “L”, and the switching stops (latch off). When  $V_{DD}$  drops below the UVLO threshold voltage, the latch is removed.

### Over Current Protection (OCP)

The over current protection (OCP) prevents inductor or transformer from saturation. The drain current of the external switching MOSFET is limited by OCP. When the voltage on the CS pin reaches the OCP threshold voltage, the DRV pin is turned to “L” and the switching cycle ends. After zero crossing is detected on the TZE pin again, the DRV pin is turned to “H” and the next switching cycle begins.

### Over Temperature Protection (OTP)

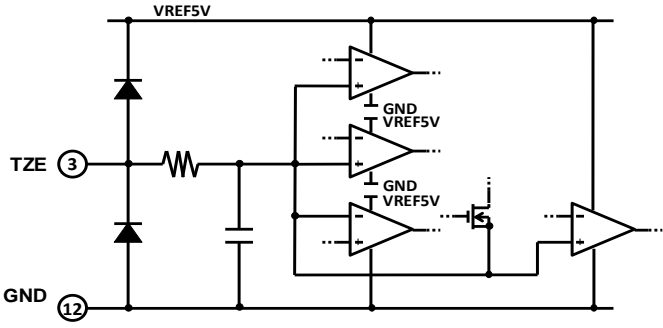
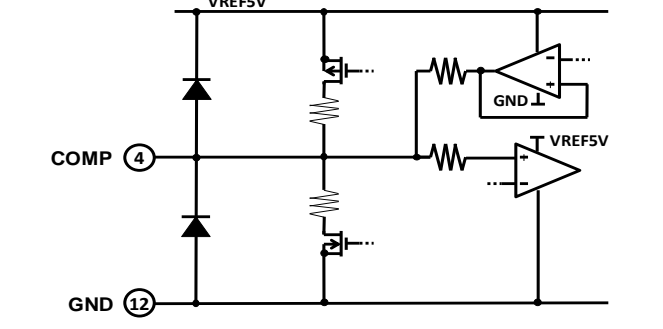
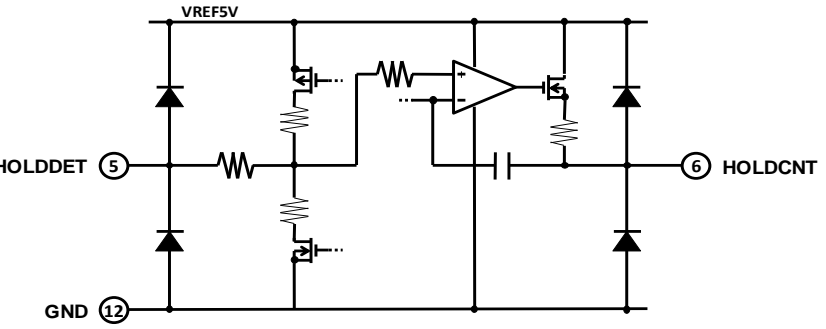
The over temperature protection (OTP) protects IC from thermal destruction. When the junction temperature reaches +150°C, the DRV pin is turned to “L”, and the switching stops. It automatically returns to normal operation mode if the junction temperature falls back below +125°C.

**Table 8-2 Protection Functions Table**

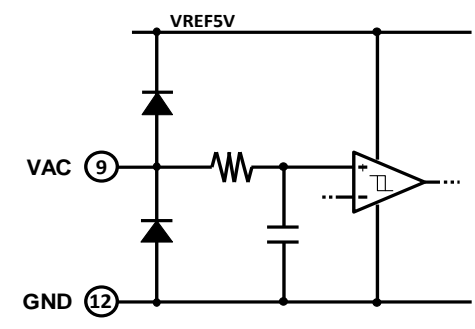
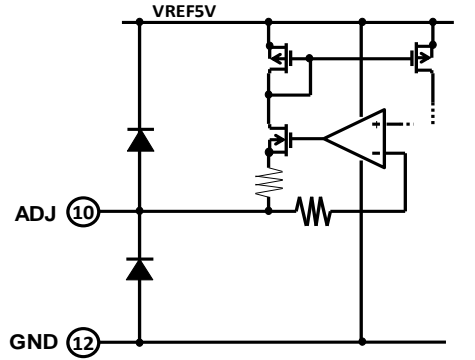
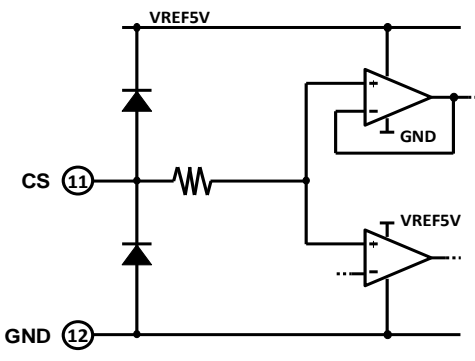
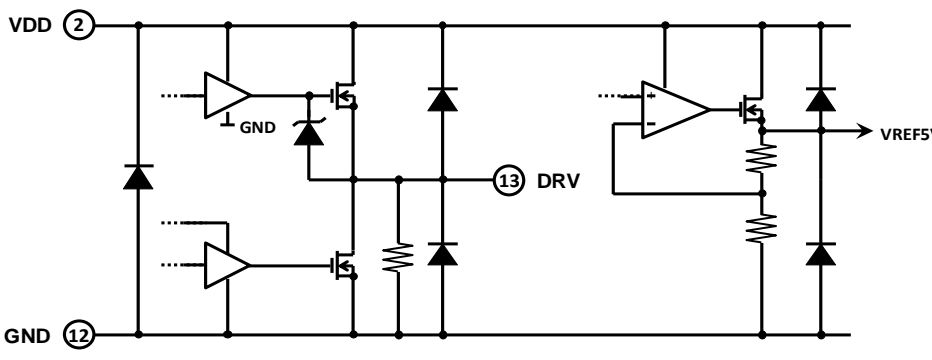
Function	PIN Operation				Detection Condition	Return Condition	Remarks
	DRV	HOLD CNT	COMP	ADJ			
Normal Operation	Active	Active	Active	Active	-	-	-
Under Voltage Lockout Protection (UVLO)	L	L	L	L	$V_{DD} < 8V$	$V_{DD} > 10.2V$	Auto Restart
Over Voltage Protection (OVP)	L	L	1.5V fixed	Active	$TZE > 4.3V$	$V_{DD} < 8V$ → $V_{DD} > 10.2V$	Latch off
Over Current Protection (OCP)	L	Active	Active	Active	$CS > 2V$	Cycle by cycle	Auto Restart
Over Temperature Protection (OTP)	L	L	1.5V fixed	Active	$T_j > +150^{\circ}C$	$T_j < +125^{\circ}C$	Auto Restart

### 9. I/O Pin Equivalent Circuit Diagram

Figure 9-1 I/O Pin Equivalent Circuit Diagram

Pin No.	Pin Name	Equivalent Circuit Diagram
3	TZE	
4	COMP	
5, 6	HOLDDET, HOLDCNT	



Pin No.	Pin Name	Equivalent Circuit Diagram
9	VAC	
10	ADJ	
11	CS	
13	DRV	

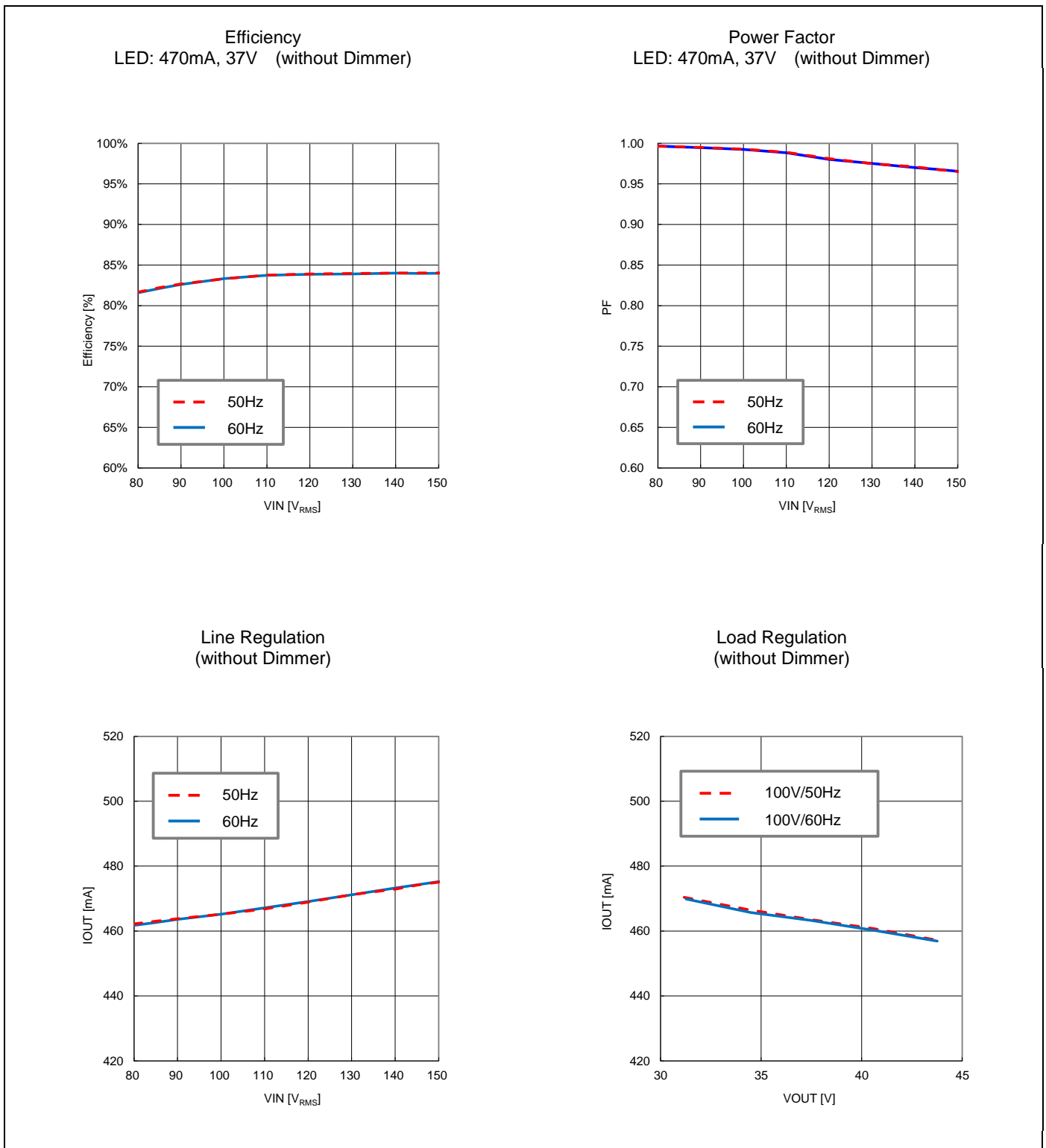


**Table 10-1 17W BOM List**

No.	Component	Description	Part No.	Vendor
1	M1	LED driver IC, SOP-14	MB39C603	Cypress
2	Q1	MOSFET, N-channel, 800V, 5.5A, TO-220F	FQPF8N80C	Fairchild
3	Q2	MOSFET, N-channel, 650V, 7.3A, TO-220	FDPF10N60NZ	Fairchild
4	Q3	Bipolar transistor, NPN, 60V, 3A, hfe = 250min, SOT-223	NZT560A	Fairchild
5	BR1	Bridge rectifier, 1A, 600V, Micro-DIP	MDB6S	Fairchild
6	D1	Diode, ultra fast rectifier, 1A, 600V, SMA	ES1J	Fairchild
7	D2	Diode, ultra fast rectifier, 3A, 200V, SMC	ES3D	Fairchild
8	D3	Diode, fast rectifier, 1A, 800V, SMA	RS1K	Fairchild
9	D4	Diode, ultra fast rectifier, 1A, 200V, SMA	ES1D	Fairchild
10	D5	Diode, 200 mA, 200V, SOT-23	MMBD1404	Fairchild
11	ZD1, ZD2	Diode, Zener, 18V, 500 mW, SOD-123	MMSZ18T1G	ON Semi
12	T1	Transformer, 600 $\mu$ H	EI-2520	-
13	L1	Common mode inductor, 20 mH, 0.5A	744821120	Würth Electronic
14	L3	Inductor, 3.3 mH, 0.27A, 5.0 $\Omega$ , $\phi$ 10x14.4	RCH114NP-332KB	Sumida
15	C1	Capacitor, X2, 305VAC, 0.1 $\mu$ F	B32921C3104M	EPCOS
16	C2	Capacitor, aluminum electrolytic, 100 $\mu$ F, 25V, $\phi$ 6.3x11	EKMG250ELL101MF11D	NIPPON-CHEMI-CO N
17	C3	Capacitor, polyester film, 220 nF, 400V, 18.5x5.9	ECQ-E4224KF	Panasonic
18	C4	Capacitor, polyester film, 100 nF, 400V, 12x6.3	ECQ-E4104KF	Panasonic
19	C5	Capacitor, ceramic, 10 $\mu$ F, 50V, X7S, 1210	-	-
20	C6, C7	Capacitor, aluminum electrolytic, 470 $\mu$ F 50V, $\phi$ 10.0x20	EKMG500ELL471MJ20S	NIPPON-CHEMI-CO N
21	C8	Capacitor, ceramic, 15 nF, 250V, X7R, 1206	-	-
22	C9	Capacitor, ceramic, 2.2 nF, X1/Y1 radial	DE1E3KX222M	muRata
23	C10, C11	Capacitor, ceramic, 0.1 $\mu$ F, 50V, X5R, 0603	-	-
24	C12, C15, C16	NA (Open), 0603	-	-
25	C13	Capacitor, ceramic, 10 $\mu$ F, 35V, X5R, 0805	-	-
26	C14	Capacitor, ceramic, 4.7 $\mu$ F, 16V, JB, 0805	-	-
27	C17	NA (Open), 1206	-	-
28	C18	Capacitor, ceramic, 100 pF, 50V, CH, 0603	-	-
29	C19	NA (Open)	-	-
30	R1, R17	Resistor, chip, 1 M $\Omega$ , 1/4W, 1206	-	-
31	R2	Resistor, metal film, 510 $\Omega$ , 2W,	-	-
32	R3	NA (Open), 1206	-	-
33	R4	Resistor, metal oxide film, 68 k $\Omega$ , 3W	-	-
34	R5	Resistor, chip, 5.1 $\Omega$ , 1W, 2512	-	-
35	R6	Resistor, chip, 62 k $\Omega$ , 1/10W, 0603	-	-
36	R7	Resistor, chip, 10 $\Omega$ , 1/8W, 0805	-	-
37	R8	Resistor, chip, 22 $\Omega$ , 1/10W, 0603	-	-
38	R9	Resistor, chip, 91 k $\Omega$ , 1/10W, 0603	-	-
39	R10	Resistor, chip, 24 k $\Omega$ , 1/10W, 0603	-	-
40	R11, R12	NA (Short), 0603	-	-
41	R13	Resistor, chip, 39 k $\Omega$ , 1/10W, 0603	-	-
42	R14	Resistor, chip, 1.1 $\Omega$ , 1/4W, 1206	-	-
43	R16	Resistor, chip, 51 k $\Omega$ , 1/10W, 0603	-	-
44	R18	Resistor, chip, 33 k $\Omega$ , 1/10W, 0603	-	-
45	R19	Resistor, chip, 12 k $\Omega$ , 1/10W, 0603	-	-
46	R20, R15	NA (Open), 1206	-	-
47	R21	Resistor, chip, 510 k $\Omega$ , 1/10W, 0603	-	-
48	VR1	Varistor, 275VAC, 7 mm DISK	ERZ-V07D431	Panasonic
49	F1	Fuse, 1A, 300VAC	3691100000	Littelfuse

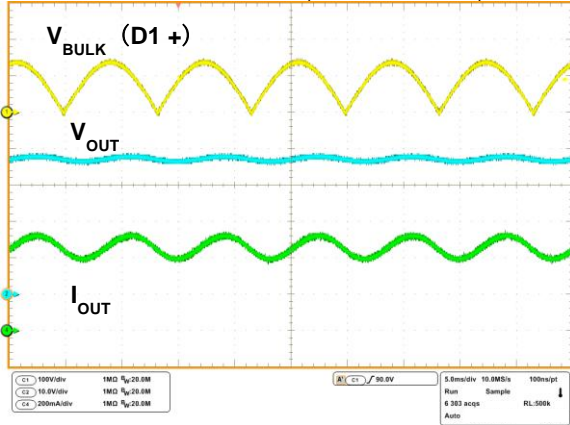
Fairchild	:	Fairchild Semiconductor International, Inc.
On Semi	:	ON Semiconductor
Wurth Electronic	:	Wurth Electronics Midcom Inc.
Sumida	:	SUMIDA CORPORATION
EPCOS	:	EPCOS AG
NIPPON-CHEMI-CON	:	Nippon Chemi-Con Corporation
Panasonic	:	Panasonic Corporation
muRata	:	Murata Manufacturing Co., Ltd.
Littelfuse	:	Littelfuse, Inc.

Figure 10-2 17W Reference Data



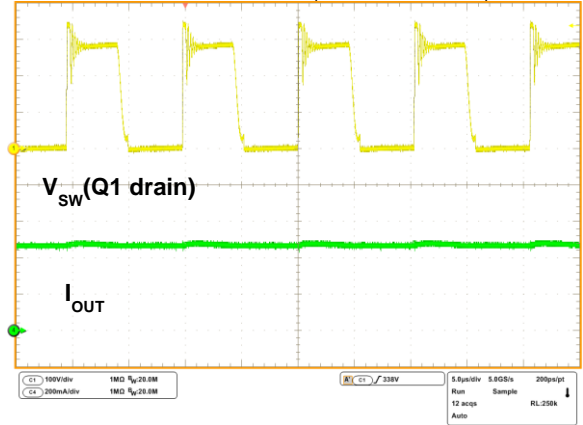
Output Ripple Waveform

$V_{IN}=100V_{RMS} / 60Hz$   
LED: 470mA, 37V (without Dimmer)



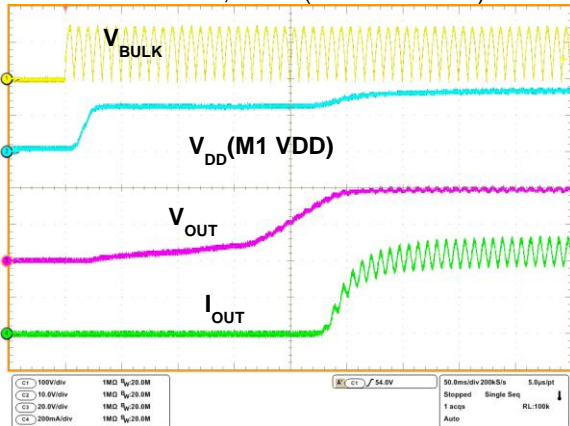
Switching Waveform

$V_{IN}=100V_{RMS} / 60Hz$   
LED: 470mA, 37V (without Dimmer)



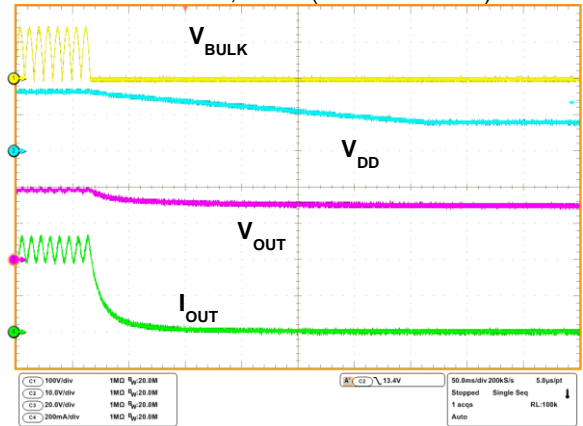
Turn-On Waveform

$V_{IN}=100V_{RMS} / 60Hz$   
LED: 470mA, 37V (without Dimmer)



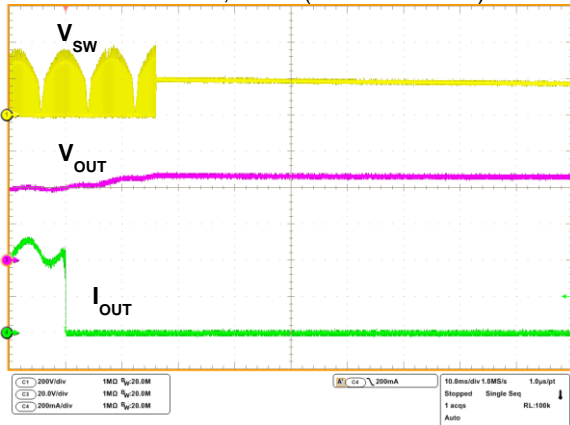
Turn-Off Waveform

$V_{IN}=100V_{RMS} / 60Hz$   
LED: 470mA, 37V (without Dimmer)



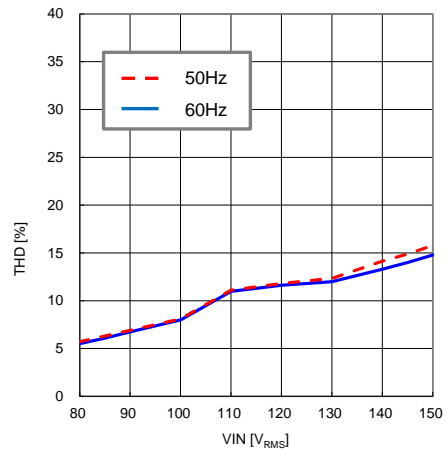
LED Open Waveform

$V_{IN}=100V_{RMS} / 60Hz$   
LED: 470mA, 37V (without Dimmer)

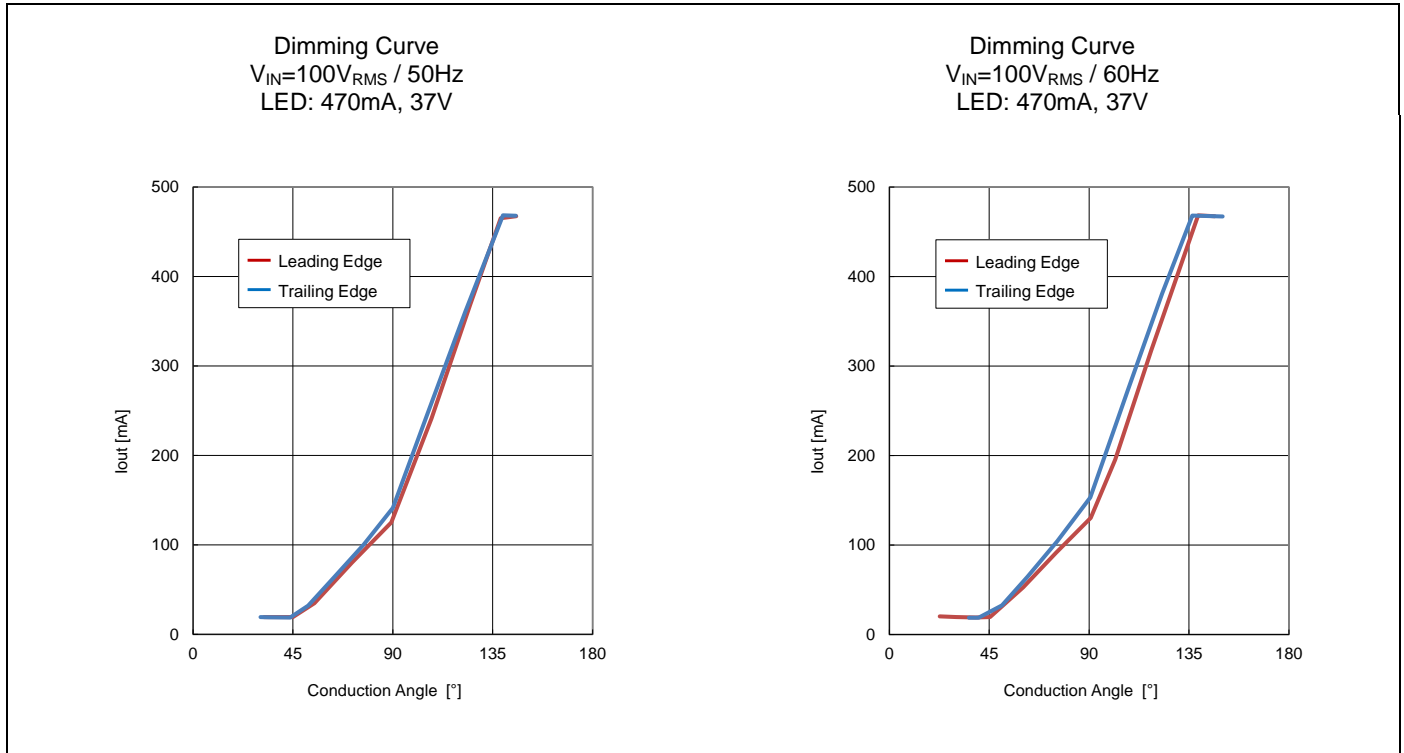


Total Harmonic Distortion (THD)

LED: 470mA, 37V (without Dimmer)



**Figure 10-3 17W Japan Dimmer Performance Data**



**Table 10-2 17W Japan Dimmer Performance Data**

Dimmer		Input Condition	Type	Minimum Angle (°)	Minimum I <sub>OUT</sub> (mA)	Maximum Angle (°)	Maximum I <sub>OUT</sub> (mA)
Vendor	Parts Name						
LUTRON	DVCL-123P-JA	VIN=100V <sub>RMS</sub> 50Hz (Japan Dimmer)	Leading Edge	31.9	19.2	141.8	468.4
Panasonic	WTC57521			38.0	19.2	145.6	467.6
	WN575280K			27.7	19.8	147.2	467.0
	NQ20203T			31.0	19.4	146.7	466.9
DAIKO	DP-37154			32.4	19.1	142.9	466.9
Mitsubishi	DEM1003B			28.3	19.7	147.8	466.9
TOSHIBA	DG9022H			46.4	19.4	151.9	467.2
	DG9048N			34.0	19.2	155.3	466.6
	WDG9001			30.4	18.8	145.4	468.4
LUTRON	DVCL-123P-JA			VIN=100V <sub>RMS</sub> 60Hz (Japan Dimmer)	Trailing Edge	22.7	19.1
Panasonic	WTC57521	38.9	19.1			146.7	468.4
	WN575280K	27.4	19.6			146.2	466.8
	NQ20203T	27.6	19.6			144.3	467.3
DAIKO	DP-37154	33.0	19.1			144.3	467.0
Mitsubishi	DEM1003B	25.9	19.9			145.2	467.2
TOSHIBA	DG9022H	22.0	18.8			150.8	467.0
	DG9048N	22.7	19.6			153.6	466.5
	WDG9001	35.9	18.7			150.1	468.3

Figure 10-4 17W USA Dimmer Performance Data

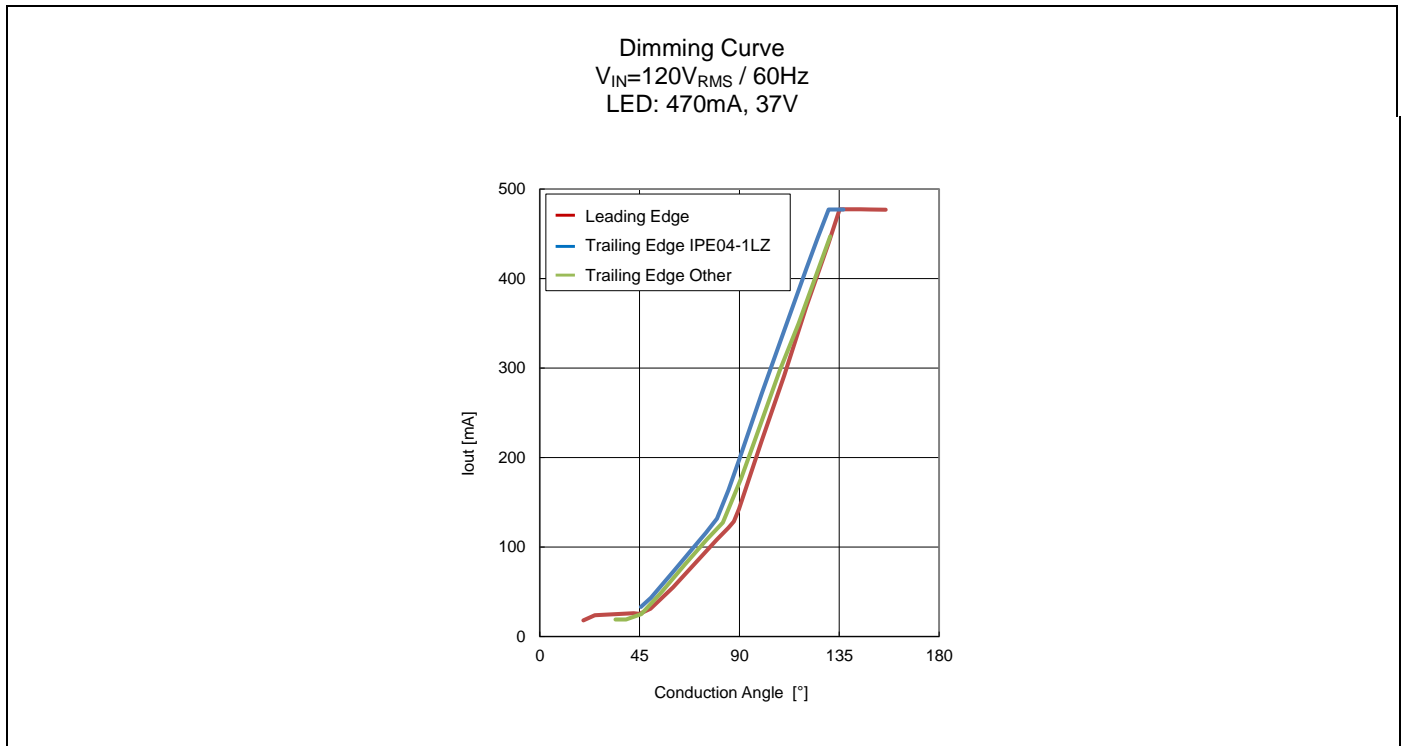
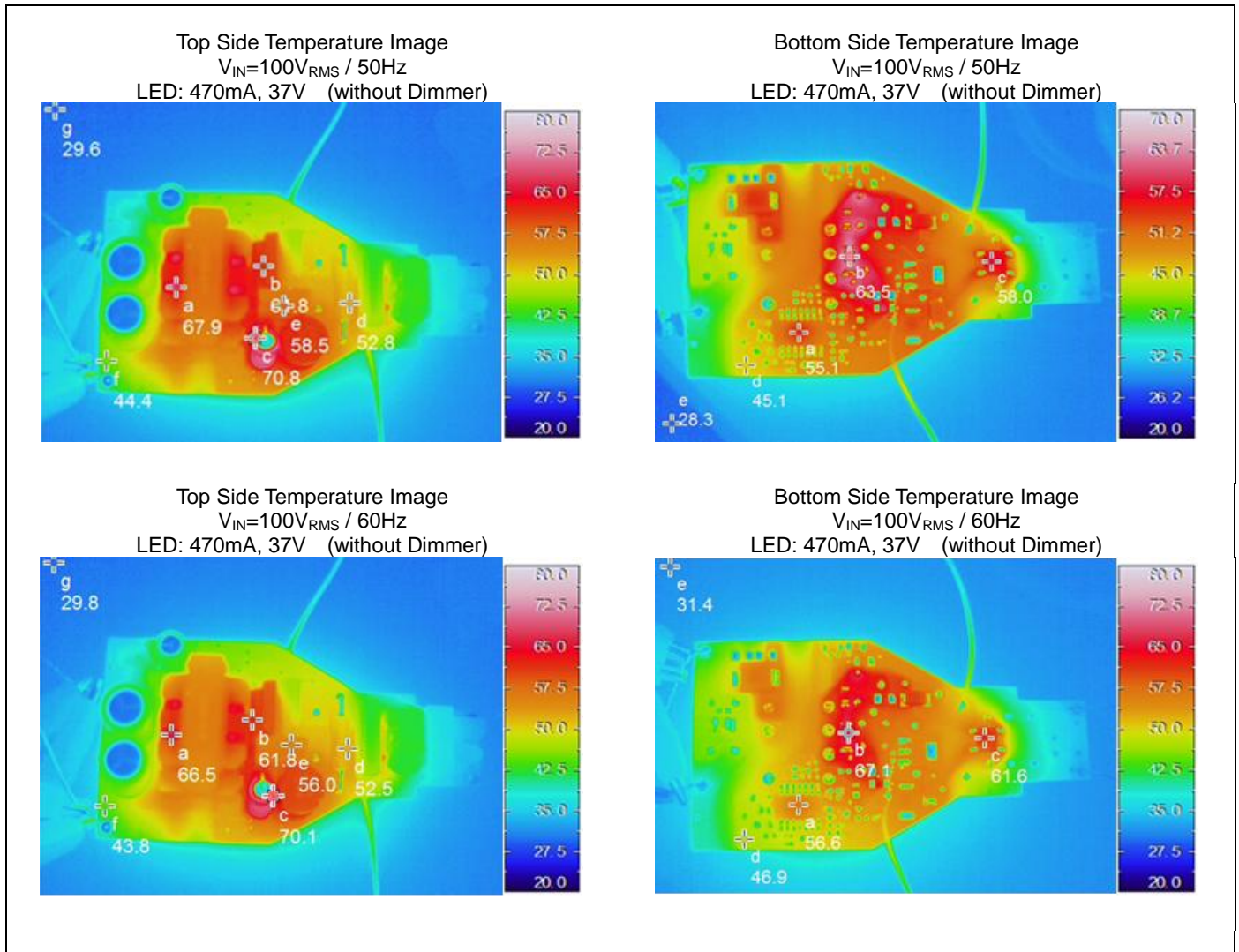


Table 10-3 17W USA Dimmer Performance Data

Dimmer		Input Condition	Type	Minimum Angle (°)	Minimum I <sub>OUT</sub> (mA)	Maximum Angle (°)	Maximum I <sub>OUT</sub> (mA)
Vendor	Parts Name						
LEVITON	IPI06-1LZ	V <sub>IN</sub> =120V <sub>RMS</sub> 60Hz (USA Dimmer)	Leading Edge	42.3	25.3	156.0	477.5
	6631-LW			21.8	20.1	144.1	470.2
	6641-W			39.1	19.5	147.7	471.5
	6683			35.2	19.5	155.5	468.9
LUTRON	SLV-600-WH			19.7	18.0	135.4	454.2
	S-600P-WH			35.0	19.5	137.6	470.6
	TG-600PH-WH			45.4	19.8	140.4	470.5
	AY-600P-WH			40.2	19.5	143.6	470.6
	GL-600H-DK			25.1	20.0	135.9	457.3
	TG-600PNLH-WH			34.1	19.5	141.0	470.8
	TGCL-153PH-WH			33.3	19.4	135.0	455.4
	TT-300NLH-WH			41.7	19.5	143.2	470.5
	DV-603PG-WH			35.6	19.4	116.4	316.5
	DVCL-153-WH			38.0	19.4	133.9	445.7
	DV603PH-WH			33.0	19.5	136.9	471.2
	LGCL-153PLH-WH			39.3	19.2	133.9	444.4
GE	D-603PH			24.2	20.0	133.5	439.1
	DV-600PH-WH			32.8	19.3	139.3	470.7
LEVITON	52129		23.8	20.2	157.0	469.8	
	18023		36.9	19.4	158.5	469.5	
LEVITON	IPE04-1LZ	Trailing Edge	45.6	33.1	136.9	477.3	
LUTRON	SELV-300P-WH		34.1	19.1	130.9	447.2	
	DVELV-300P-WH		34.1	19.0	131.8	455.2	



**Figure 10-5 17W Parts Surface Temperature**



**Table 10-4 17W Parts Surface Temperature Data**

Side	Cursor Point		Surface Temperature [°C]		ΔTemperature [Δ°C]	
			50Hz	60Hz	50Hz	60Hz
Top	a	T2	68.0	66.5	38.3	36.8
	b	Q1	61.8	61.8	32.2	32.0
	c	R4	70.8	70.1	41.2	40.3
	d	R2	52.8	52.5	23.1	22.8
	e	Q2	58.5	56.0	28.9	26.2
	f	PCB	44.5	43.8	14.8	14.0
	g	Out of PCB	29.6	29.8	-	-
Bottom	a	M1	55.1	56.6	26.8	25.2
	b	Back side of R4	63.5	67.1	35.2	35.8
	c	BR1	58.0	61.6	29.7	30.2
	d	PCB	45.1	46.9	16.7	15.5
	e	Out of PCB	28.3	31.4	-	-

## 11. Usage Precautions

### **Do not configure the IC over the maximum ratings.**

If the IC is used over the maximum ratings, the LSI may be permanently damaged.

It is preferable for the device to normally operate within the recommended usage conditions. Usage outside of these conditions can have an adverse effect on the reliability of the LSI.

### **Use the device within the recommended operating conditions.**

The recommended values guarantee the normal LSI operation under the recommended operating conditions.

The electrical ratings are guaranteed when the device is used within the recommended operating conditions and under the conditions stated for each item.

### **Take appropriate measures against static electricity.**

- Containers for semiconductor materials should have anti-static protection or be made of conductive material.
- After mounting, printed circuit boards should be stored and shipped in conductive bags or containers.
- Work platforms, tools, and instruments should be properly grounded.
- Working personnel should be grounded with resistance of 250 kΩ to 1 MΩ in serial between body and ground.

### **Do not apply negative voltages.**

The use of negative voltages below - 0.3 V may make the parasitic transistor activated to the LSI, and can cause malfunctions.

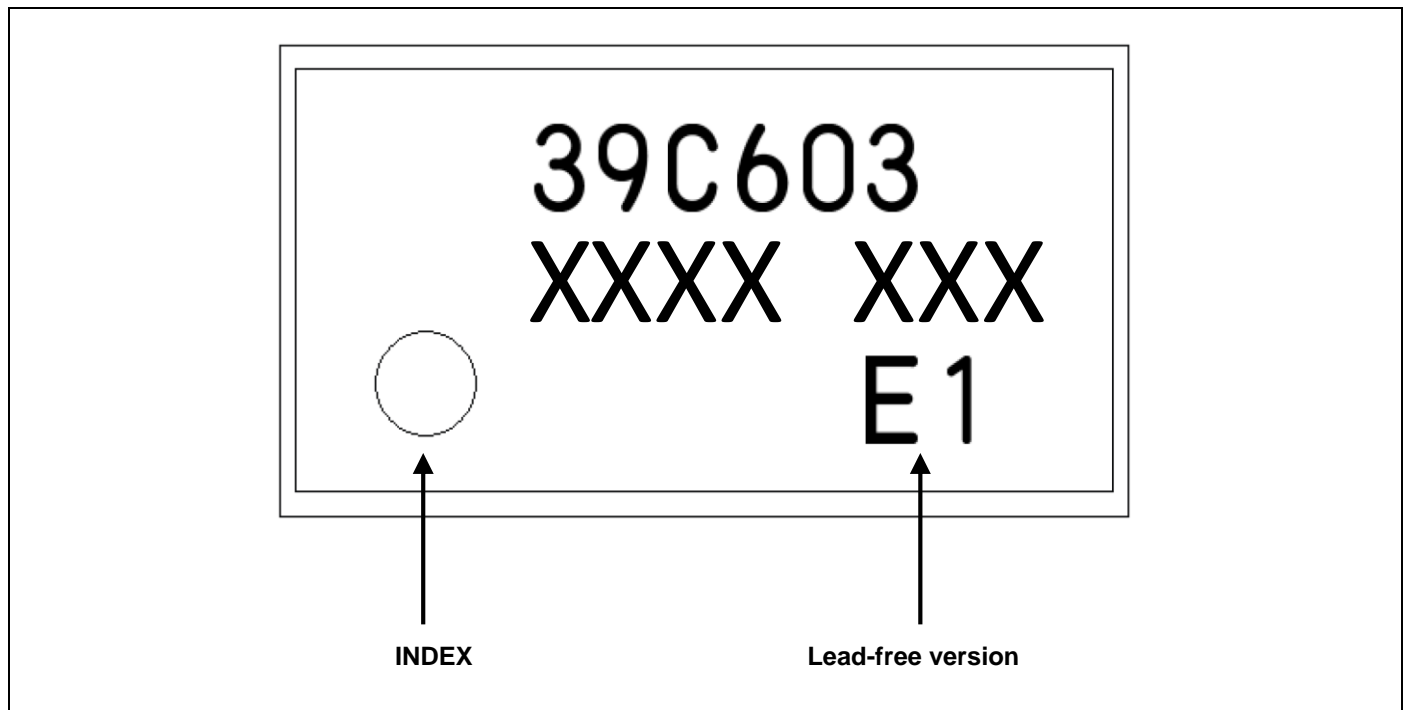
## 12. Ordering Information

**Table 12-1** Ordering Information

Part Number	Package	Shipping Form
MB39C603PF-G-JNEFE1	14-pin plastic SOP (FPT-14P-M04)	Emboss
MB39C603PF-G-JNE1		Tube

## 13. Marking Format

**Figure 13-1** Marking Format



## 14. Recommended Mounting Condition [JEDEC Level3] Lead Free

### 14.1 Recommended Reflow Condition

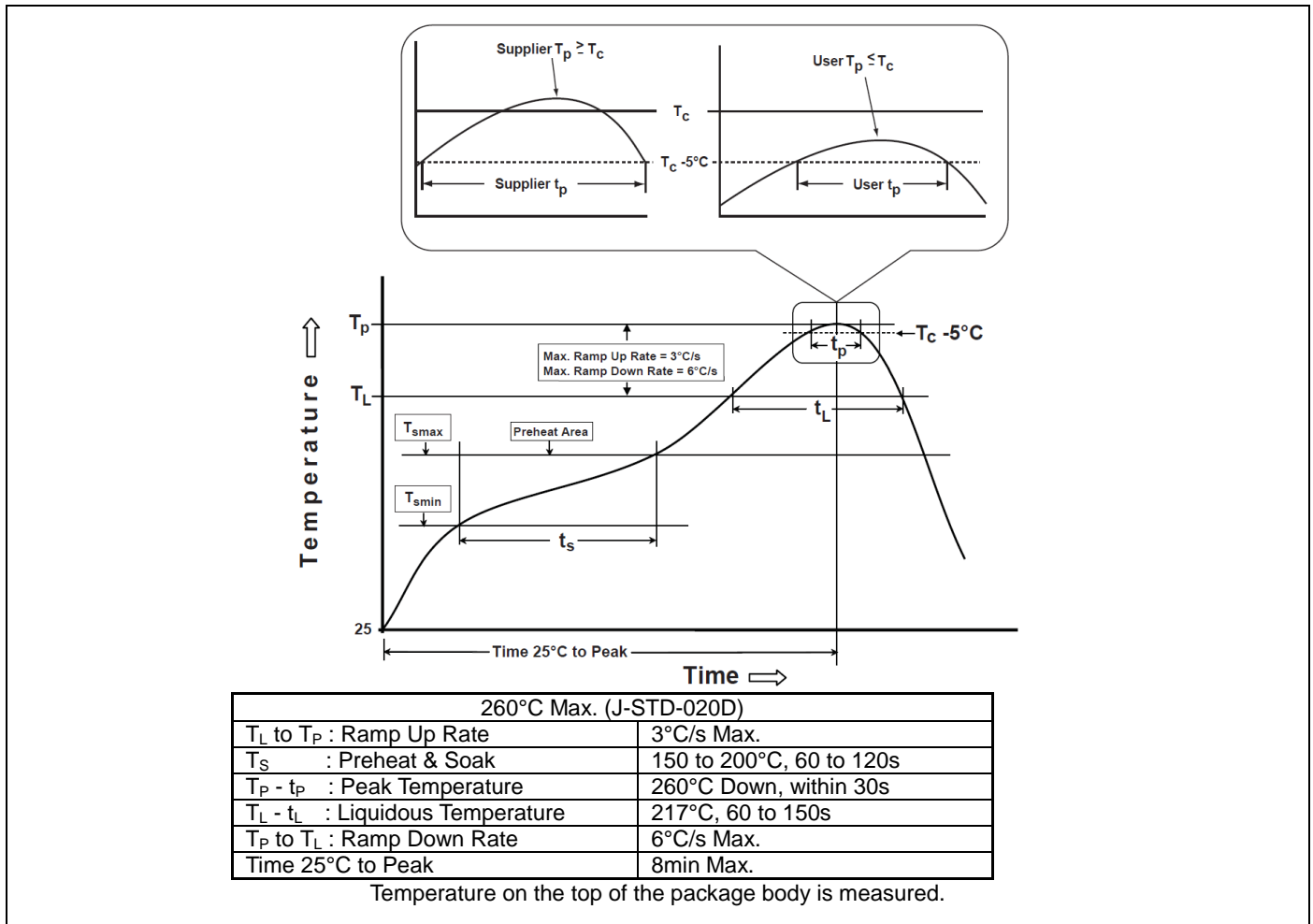
Table 14-1 Recommended Reflow Condition

Items	Contents	
Method	IR(Infrared Reflow) / Convection	
Times	3 times in succession	
Floor life	Before unpacking	Please use within 2 years after production.
	From unpacking to reflow	Within 7 days
	In case over period of floor life(*1)	Baking with 125°C+/-3°C for 24hrs+2hrs/-0hrs is required. Then please use within 7 days. (Please remember baking is up to 2 times)
Floor life condition	Between 5°C and 30°C and also below 60%RH required. (It is preferred lower humidity in the required temp range.)	

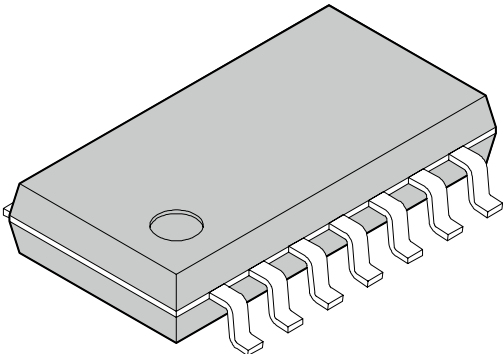
\*1: Concerning the Tape & Reel product, please transfer product to heatproof tray and so on when you perform baking. Also please prevent lead deforming and ESD damage during baking process.

### 14.2 Reflow Profile

Figure 14-1 Reflow Profile

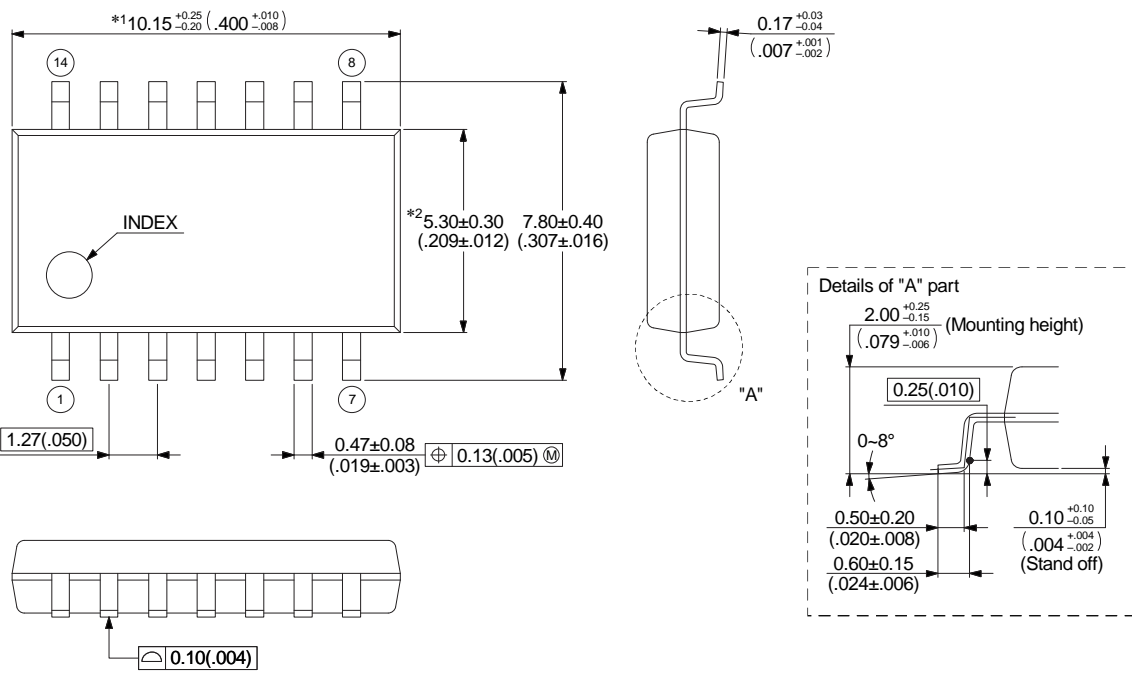


**15. Package Dimensions**

 <p>14-pin plastic SOP</p> <p>(FPT-14P-M04)</p>	Lead pitch	1.27 mm
	Package width × package length	5.3 × 10.15 mm
	Lead shape	Gullwing
	Sealing method	Plastic mold
	Mounting height	2.25 mm MAX
	Weight	0.20 g
	Code (Reference)	P-SOP14-5.3×10.15-1.27

14-pin plastic SOP (FPT-14P-M04)

Note 1) \*1 : These dimensions include resin protrusion.  
 Note 2) \*2 : These dimensions do not include resin protrusion.  
 Note 3) Pins width and pins thickness include plating thickness.  
 Note 4) Pins width do not include tie bar cutting remainder.



Top view dimensions:  
 \*1 10.15<sup>+0.25</sup>/<sub>-0.20</sub> (.400<sup>+0.010</sup>/<sub>-.008</sub>)  
 \*2 5.30±0.30 (.209±.012) 7.80±0.40 (.307±.016)  
 INDEX  
 14, 8, 1, 7  
 1.27(.050)  
 0.47±0.08 (.019±.003) ±0.13(.005) M  
 0.10(.004)

Lead detail dimensions:  
 0.17<sup>+0.03</sup>/<sub>-0.04</sub> (.007<sup>+.001</sup>/<sub>-.002</sub>)  
 "A"  
 Details of "A" part:  
 2.00<sup>+0.25</sup>/<sub>-0.15</sub> (.079<sup>+0.010</sup>/<sub>-.006</sub>) (Mounting height)  
 0.25(.010)  
 0~8°  
 0.50±0.20 (.020±.008)  
 0.60±0.15 (.024±.006)  
 0.10<sup>+0.10</sup>/<sub>-0.05</sub> (.004<sup>+.004</sup>/<sub>-.002</sub>) (Stand off)

© 2003-2010 FUJITSU SEMICONDUCTOR LIMITED F14010S-c-4-9

Dimensions in mm (inches).  
 Note: The values in parentheses are reference values.

## 16. Major Changes

Spancion Publication Number: MB39C603\_DS405-00021

Page	Section	Descriptions
Revision1.0		
-	-	Initial release
Revision2.0		
7	7. Absolute Maximum Ratings	Removed ESD Voltage (Machine Model) from Table 7-1

**NOTE:** Please see “Document History” about later revised information.

## Document History

**Document Title: MB39C603 Phase Dimmable PSR LED Driver IC for LED Lighting**  
**Document Number: 002-08450**

Revision	ECN	Orig. of Change	Submission Date	Description of Change
**	-	TOYO	02/20/2015	Migrated to Cypress and assigned document number 002-08450. No change to document contents or format.
*A	5211117	TOYO	04/07/2016	Updated to Cypress format.

## Sales, Solutions, and Legal Information

### Worldwide Sales and Design Support

Cypress maintains a worldwide network of offices, solution centers, manufacturer's representatives, and distributors. To find the office closest to you, visit us at [Cypress Locations](#).

#### Products

ARM® Cortex® Microcontrollers	<a href="http://cypress.com/arm">cypress.com/arm</a>
Automotive	<a href="http://cypress.com/automotive">cypress.com/automotive</a>
Clocks & Buffers	<a href="http://cypress.com/clocks">cypress.com/clocks</a>
Interface	<a href="http://cypress.com/interface">cypress.com/interface</a>
Lighting & Power Control	<a href="http://cypress.com/powerpsoc">cypress.com/powerpsoc</a>
Memory	<a href="http://cypress.com/memory">cypress.com/memory</a>
PSoC	<a href="http://cypress.com/psoc">cypress.com/psoc</a>
Touch Sensing	<a href="http://cypress.com/touch">cypress.com/touch</a>
USB Controllers	<a href="http://cypress.com/usb">cypress.com/usb</a>
Wireless/RF	<a href="http://cypress.com/wireless">cypress.com/wireless</a>

#### PSoC® Solutions

[PSoC 1](#) | [PSoC 3](#) | [PSoC 4](#) | [PSoC 5LP](#)

#### Cypress Developer Community

[Forums](#) | [Projects](#) | [Videos](#) | [Blogs](#) | [Training](#) | [Components](#)

#### Technical Support

[cypress.com/support](http://cypress.com/support)

ARM and Cortex are the registered trademarks of ARM Limited in the EU and other countries.

© Cypress Semiconductor Corporation, 2014-2016. This document is the property of Cypress Semiconductor Corporation and its subsidiaries, including Spansion LLC ("Cypress"). This document, including any software or firmware included or referenced in this document ("Software"), is owned by Cypress under the intellectual property laws and treaties of the United States and other countries worldwide. Cypress reserves all rights under such laws and treaties and does not, except as specifically stated in this paragraph, grant any license under its patents, copyrights, trademarks, or other intellectual property rights. If the Software is not accompanied by a license agreement and you do not otherwise have a written agreement with Cypress governing the use of the Software, then Cypress hereby grants you a personal, non-exclusive, nontransferable license (without the right to sublicense) (1) under its copyright rights in the Software (a) for Software provided in source code form, to modify and reproduce the Software solely for use with Cypress hardware products, only internally within your organization, and (b) to distribute the Software in binary code form externally to end users (either directly or indirectly through resellers and distributors), solely for use on Cypress hardware product units, and (2) under those claims of Cypress's patents that are infringed by the Software (as provided by Cypress, unmodified) to make, use, distribute, and import the Software solely for use with Cypress hardware products. Any other use, reproduction, modification, translation, or compilation of the Software is prohibited.

TO THE EXTENT PERMITTED BY APPLICABLE LAW, CYPRESS MAKES NO WARRANTY OF ANY KIND, EXPRESS OR IMPLIED, WITH REGARD TO THIS DOCUMENT OR ANY SOFTWARE OR ACCOMPANYING HARDWARE, INCLUDING, BUT NOT LIMITED TO, THE IMPLIED WARRANTIES OF MERCHANTABILITY AND FITNESS FOR A PARTICULAR PURPOSE. To the extent permitted by applicable law, Cypress reserves the right to make changes to this document without further notice. Cypress does not assume any liability arising out of the application or use of any product or circuit described in this document. Any information provided in this document, including any sample design information or programming code, is provided only for reference purposes. It is the responsibility of the user of this document to properly design, program, and test the functionality and safety of any application made of this information and any resulting product. Cypress products are not designed, intended, or authorized for use as critical components in systems designed or intended for the operation of weapons, weapons systems, nuclear installations, life-support devices or systems, other medical devices or systems (including resuscitation equipment and surgical implants), pollution control or hazardous substances management, or other uses where the failure of the device or system could cause personal injury, death, or property damage ("Unintended Uses"). A critical component is any component of a device or system whose failure to perform can be reasonably expected to cause the failure of the device or system, or to affect its safety or effectiveness. Cypress is not liable, in whole or in part, and you shall and hereby do release Cypress from any claim, damage, or other liability arising from or related to all Unintended Uses of Cypress products. You shall indemnify and hold Cypress harmless from and against all claims, costs, damages, and other liabilities, including claims for personal injury or death, arising from or related to any Unintended Uses of Cypress products.

Cypress, the Cypress logo, Spansion, the Spansion logo, and combinations thereof, PSoC, CapSense, EZ-USB, F-RAM, and Traveo are trademarks or registered trademarks of Cypress in the United States and other countries. For a more complete list of Cypress trademarks, visit [cypress.com](http://cypress.com). Other names and brands may be claimed as property of their respective owners.