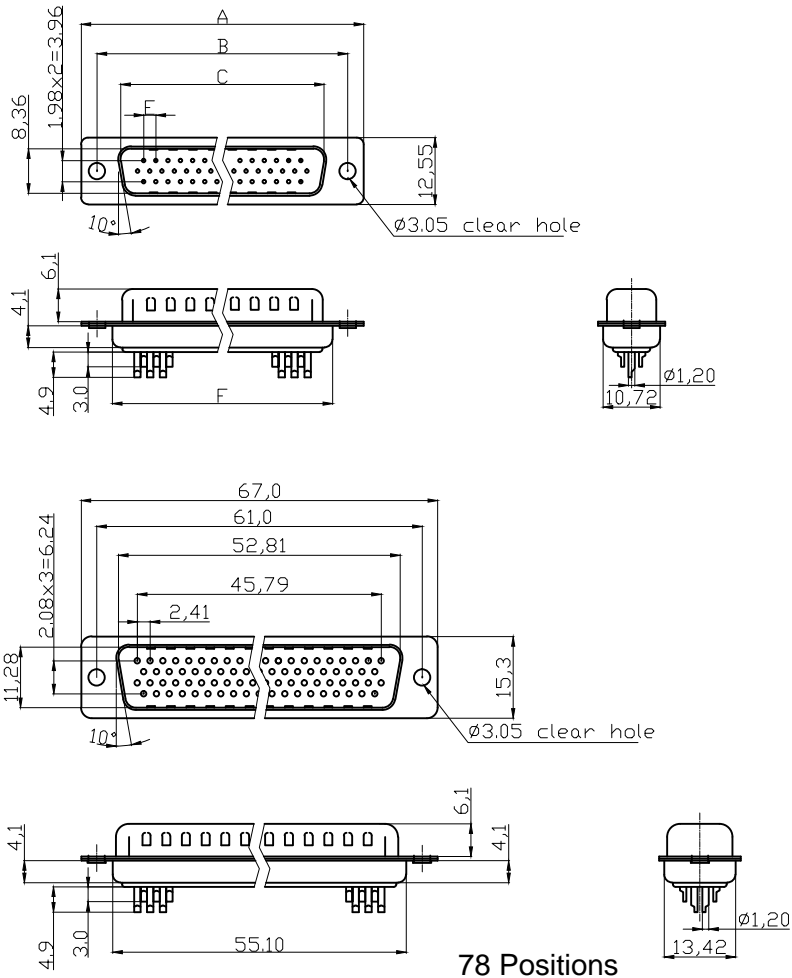


**Male**



**NOTES:**

**Material**

Insulator Material: Glass-filled thermoplastic PBT, UL94V-0 rated, Black  
 Contact Material: Copper alloy, Gold flash selective gold plating  
 Shell: Steel, 100 µ" Tin Over 50µ" min Copper

**Electrical**

- Contact Resistance: 20m ohms Max at 1 AMP DC.
- Insulation Resistance: 1000M ohms at 500 VDC
- Withstanding Voltage: 1000 VAC/rms 60Hz for 1 minute
- Current Rating: 3 AMP
- Voltage Rating: 250 VAC/rms 60Hz
- ① Durability: 250 mating cycles
- ⑤ Operating Temperature: -55°C ~ +105°C
- ② Wire gauge: 24-30AWG

④③ Order Code:

A-HDx xx LL/Z - x

Contact style:  
 F - Female  
 S - Male

No. of Contacts  
 15 / 26 / 44 / 62

Blank - Without nut  
 UNC1 - With front nut H=5.9mm  
 UNC2 - With rear nut H=5.9mm  
 UNC3 - With front nut H=2.0mm  
 UNC4 - With front nut H=2.5mm  
 UNC5 - With front nut H=4.0mm  
 UNC6 - With rear nut H=2.0mm  
 UNC7 - With rear nut H=2.5mm

**Dimensions**

Positions	A	B	C	E	F
15	30.81	24.99	16.92	2.29	19.20
26	39.20	33.30	25.25	2.29	27.70
44	53.04	47.04	38.96	2.29	41.10
62	69.40	63.50	55.42	2.41	57.30

G

**RoHS compliant**

Unit: mm



File No.: E198287

Scale	Free	⑤	Update operating temperature	22.12.2020	Luca	Date	Name
<b>TOLERANCE</b>		④	Update order code and add more type of products	20.08.2019	Xavier	Drawn	15.08.2012
X.	±0.38	③	Add new type with front nut	07.08.2019	Xavier	Approved	19.10.2017
X.X	±0.25	②	Add solder wire gauge	31.07.2019	Xavier		
X.XX	±0.13	①	Add the mating cycles	19.10.2017	Winnie		
DIM	TOL	①	Drawn	15.08.2012	Lucas		
X.°	±3°	Id.	Modification	Date	Name		
X.X°	±1.0°						
Angle	TOL						

Description: D-SUB Connector

ASSMANN WSW-No.  
**A-HDS xx LL/Z-x**

Drawing-No.  
**ASS 4895 CO** rev05

Customer-No. Sheet 1/3

A

B

C

D

E

F

G

H

1

2

3

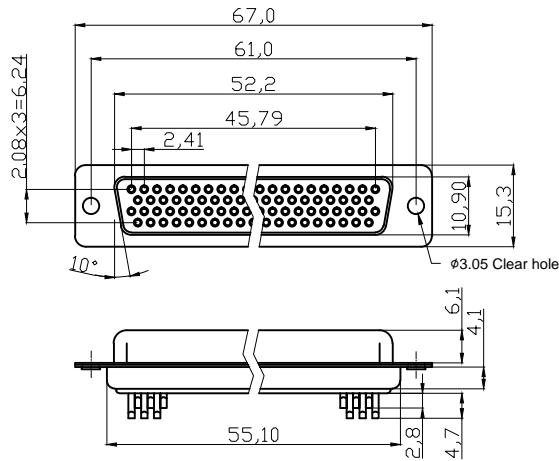
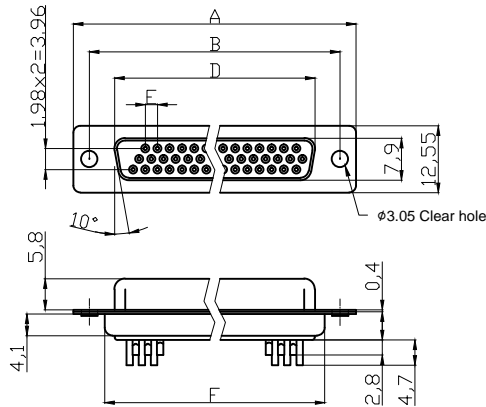
4

5

6

7

**Female**



**78 Positions**

**NOTES:**

**Material**

Insulator Material: Glass-filled thermoplastic PBT, UL94V-0 rated, Black  
 Contact Material: Copper alloy, Gold flash selective gold plating  
 Shell: Steel, 100 μ" Tin Over 50μ" min Copper

**Electrical**

Contact Resistance: 20m ohms Max at 1 AMP DC.  
 Insulation Resistance: 1000M ohms at 500 VDC  
 Withstanding Voltage: 1000 VAC/rms 60Hz for 1 minute  
 Current Rating: 3 AMP  
 Voltage Rating: 250 VAC/rms 60Hz

- ① Durability: 250 mating cycles
- ⑤ Operating Temperature: -55°C ~ +105°C
- ② Wire gauge: 24-30AWG

④③ Order Code:

A-HDx xx LL/Z - x

Contact style:  
 F - Female  
 S - Male

No. of Contacts  
 15 / 26 / 44 / 62

Blank - Without nut  
 UNC1 - With front nut H=5.9mm  
 UNC2 - With rear nut H=5.9mm  
 UNC3 - With front nut H=2.0mm  
 UNC4 - With front nut H=2.5mm  
 UNC5 - With front nut H=4.0mm  
 UNC6 - With rear nut H=2.0mm  
 UNC7 - With rear nut H=2.5mm

**Dimensions**

Positions	A	B	D	E	F
15	30.81	24.99	16.33	2.29	19.20
26	39.20	33.30	24.70	2.29	27.70
44	53.04	47.04	38.40	2.29	41.10
62	69.40	63.50	54.80	2.41	57.30

G

**RoHS compliant**

Unit: mm



File No.: E198287

Scale	Free	⑤	Update operating temperature	22.12.2020	Luca	Date	Name
<b>TOLERANCE</b>		④	Update order code and add more type of products	20.08.2019	Xavier	Drawn	15.08.2012
X.	±0.38	③	Add new type with front nut	07.08.2019	Xavier	Approved	22.12.2020
X.X	±0.25	②	Add solder wire gauge	31.07.2019	Xavier		
X.XX	±0.13	①	Add the mating cycles	19.10.2017	Winnie		
DIM	TOL	①	Drawn	15.08.2012	Lucas		
X.°	±3°	Id.	Modification	Date	Name		
X.X°	±1.0°						
Angle	TOL						

Description: D-SUB Connector

ASSMANN WSW-No.  
**A-HDF xx LL/Z-x**

Drawing-No.  
**ASS 4895 CO** rev05

Customer-No. Sheet 2/3

1

2

3

4

5

6

7

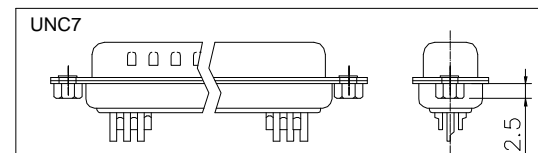
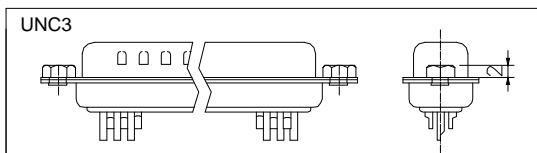
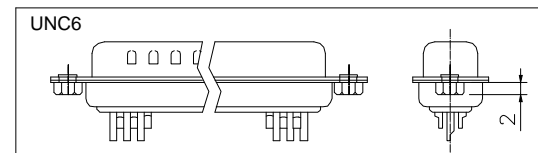
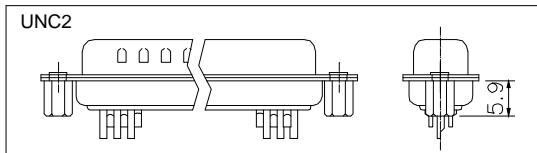
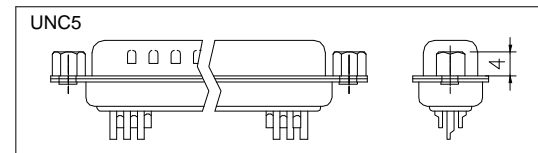
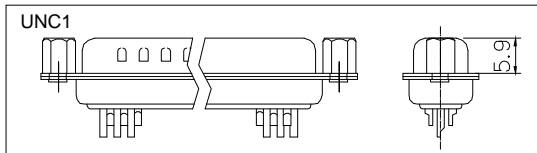
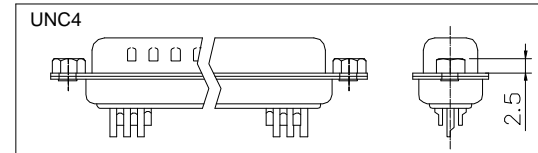
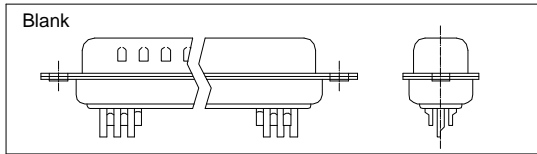
④③ Order Code:

A-HDx xx LL/Z - x

Contact style:  
 F - Female  
 S - Male

No. of Contacts  
 15 / 26 / 44 / 62

Blank - Without nut  
 UNC1 - With front nut H=5.9mm  
 UNC2 - With rear nut H=5.9mm  
 UNC3 - With front nut H=2.0mm  
 UNC4 - With front nut H=2.5mm  
 UNC5 - With front nut H=4.0mm  
 UNC6 - With rear nut H=2.0mm  
 UNC7 - With rear nut H=2.5mm



**RoHS compliant**

Unit: mm



File No.: E198287

Scale	Free	⑤	Update operating temperature	22.12.2020	Luca		Date	Name	Description: D-SUB Connector	
<b>TOLERANCE</b>		④	Update order code and add more type of products	20.08.2019	Xavier	Drawn	15.08.2012	Lucas	ASSMANN WSW-No. <b>A-HDx xx LL/Z-x</b>	
X.	±0.38	③	Add new type with front nut	07.08.2019	Xavier	Approved	22.12.2020	Luca		
X.X	±0.25	②	Add solder wire gauge	31.07.2019	Xavier				Drawing-No. <b>ASS 4895 CO</b> rev05	
X.XX	±0.13	①	Add the mating cycles	19.10.2017	Winnie					
DIM	TOL	①	Drawn	15.08.2012	Lucas				Customer-No.	
X.°	±3°	Id.	Modification	Date	Name					
X.X°	±1.0°									
Angle	TOL									



**ASS 4895 CO** rev05

Customer-No. Sheet 3/3