

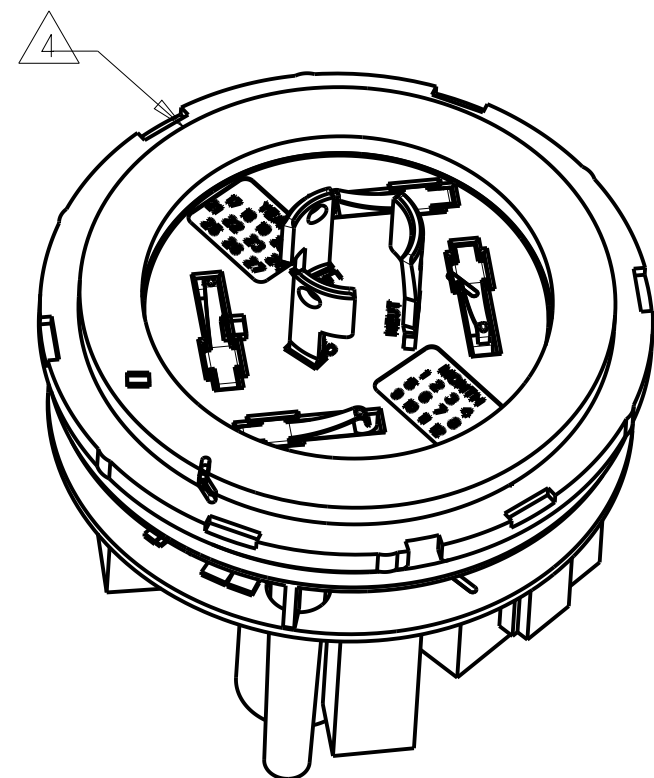
P	LTR	DESCRIPTION	DATE	DWN	APVD
	A1	ECR-21-004389	09APR2021	CD	CD

ABSOLUTE MAXIMUM RATINGS	SYMBOL	MIN	MAX	UNIT
STORAGE TEMPERATURE	$T_{stg}$	-40	105	°C
LINE TO NEUTRAL VOLTAGE	$V_{in}$	90	300	VAC
MAXIMUM AC CURRENT (RESISTIVE)	$A_{switch}$	--	8	AMPS

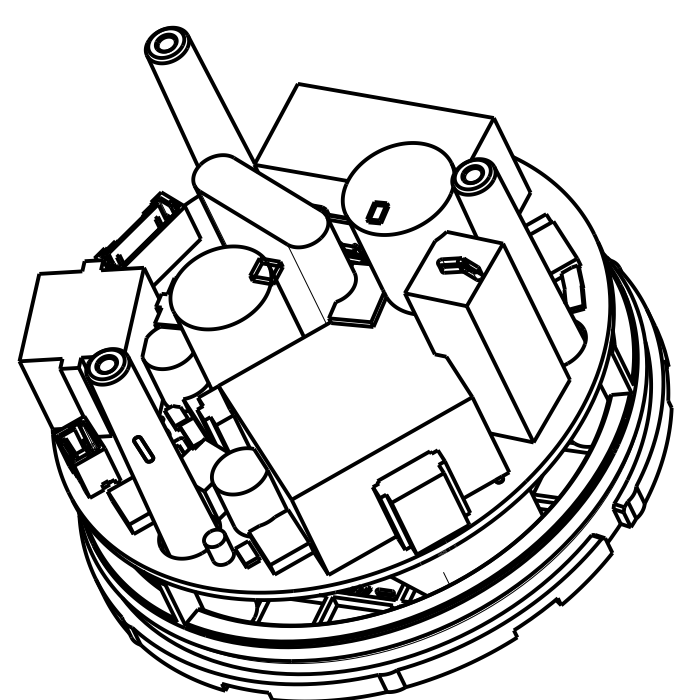
ELECTRICAL CHARACTERISTICS	
INPUT VOLTAGE RANGE	110/120, 230/240 AND 277 VAC NOMINAL SOURCES
INPUT FREQUENCY	47-63 Hz FOR 50/60 Hz NOMINAL SOURCES
MAXIMUM AC CURRENT	8 AMPS (RESISTIVE), 5 AMPS (ELECTRONIC BALLAST)@120V, 3AMPS @277V
DC POWER SUPPLIES	
DIMMING	24 VDC AT 50 mA MAXIMUM
COMMUNICATIONS	5 VDC AT 1000 mA MAXIMUM
AUXILIARY	3.3VDC AT 500 mA MAXIMUM
SURGE PROTECTION	ANSI C62.41 6 kV, 3 kA COMBINATION WAVE SURGE PROTECTION
POWER CONSUMPTION (MIN LOAD)	< 1W @ 120 VAC, < 2W @ 277 VAC
FAIL MODE	ON (NORMALLY CLOSED) OR OFF (NORMALLY OPEN)

ENVIRONMENTAL CHARACTERISTICS	
OPERATING TEMPERATURE	-40°C TO +85°C (SEE 114-133085 FOR DETAILS)
RELATIVE HUMIDITY	OPERATING: 15% TO 96%, NON-CONDENSING ENVIRONMENT.
ALTITUDE	OPERATING: -15m TO +2,000m NON-OPERATING: -15m TO +14,000m

- 1 MATERIALS:  
HOUSING: PBT  
DIMMING CONTACTS (QTY. 4): COPPER ALLOY  
LINE VOLTAGE CONTACTS (QTY. 3): COPPER ALLOY  
GASKET: VINYL/NITRILE FOAM  
O-RING: SILICONE RUBBER  
PCBA: FR4
- 2 FINISH:  
DIMMING CONTACTS: NICKEL UNDERPLATE ENTIRE  
CONTACT 0.127  $\mu$ m MIN THICK. SELECTIVE GOLD PLATE CONTACT MATING AREA (MATING FACE SIDE ONLY) 0.76  $\mu$ m MIN THICK.  
MATTE TIN PLATE TAB ON BOTH SIDES 0.30  $\mu$ m MIN THICK.  
LINE VOLTAGE CONTACTS: MATTE TIN PLATE
- 3 MATING INTERFACE PER ANSI C136.41-2013.
- 4 ADHESIVE BACKED GASKET SUPPLIED BUT NOT INSTALLED.
- 5 ADDITIONAL COVERS (P/N: 2306130-X) AVAILABLE CONTACT TE CONNECTIVITY FOR MORE OPTIONS.
- 6. THIS PRODUCT HAS NOT COMPLETED VALIDATION TESTING.
- 7. MUST COMPLY WITH DIRECTIVE 2002/95/EC (ROHS)
- 8. IN ADDITION TO THE STANDARD PRODUCT PART NUMBERS, OTHER CONFIGURATIONS MAY BE AVAILABLE FOR SPECIAL ORDER. PLEASE CONTACT A TE CONNECTIVITY SALES OFFICE FOR MORE INFO.
- 9 NOT PRODUCTION TOOLED



SCALE 1:1



SCALE 1:1

9	YES	50Hz	YES	YES	OFF	4-2314786-2
9	YES	50Hz	YES	YES	ON	4-2314786-1
9	YES	60Hz	YES	YES	OFF	3-2314786-2
9	YES	60Hz	YES	YES	ON	3-2314786-1
	NO	50Hz	YES	YES	OFF	1-2314786-2
	NO	50Hz	YES	YES	ON	1-2314786-1
	NO	60Hz	YES	YES	OFF	2314786-2
	NO	60Hz	YES	YES	ON	2314786-1
	VENT	FREQ.	ENERGY METERING HEADER	ZERO CROSS	FAIL MODE	PART NO.

THIS DRAWING IS A CONTROLLED DOCUMENT.

DWN: C. DAILY 30DEC2016  
CHK: C. GINGRICH 30DEC2016  
APVD: C. GINGRICH

**STE** TE Connectivity

NAME: ASSEMBLY, LUMAWISE ENDURANCE N ENHANCED BASE

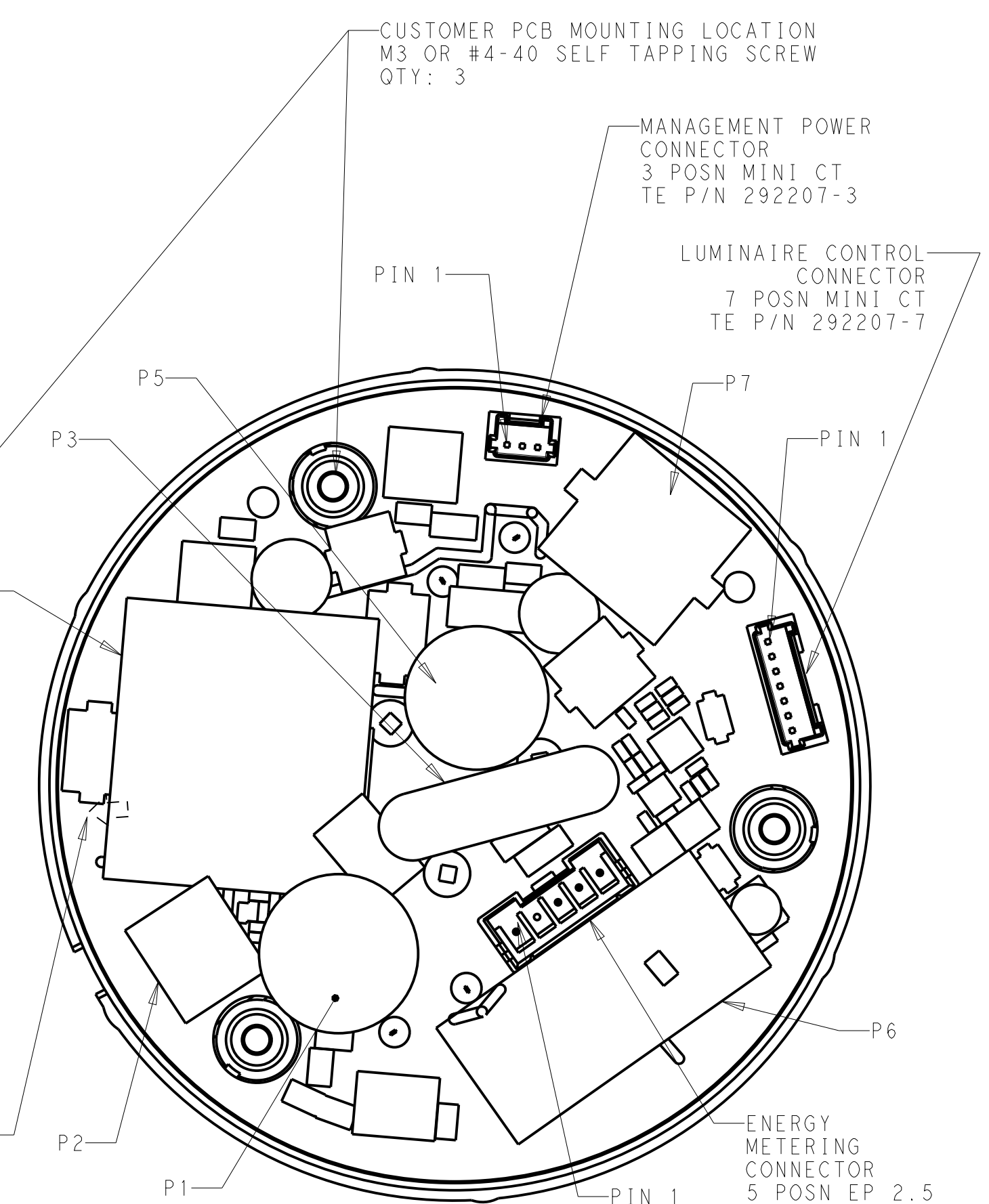
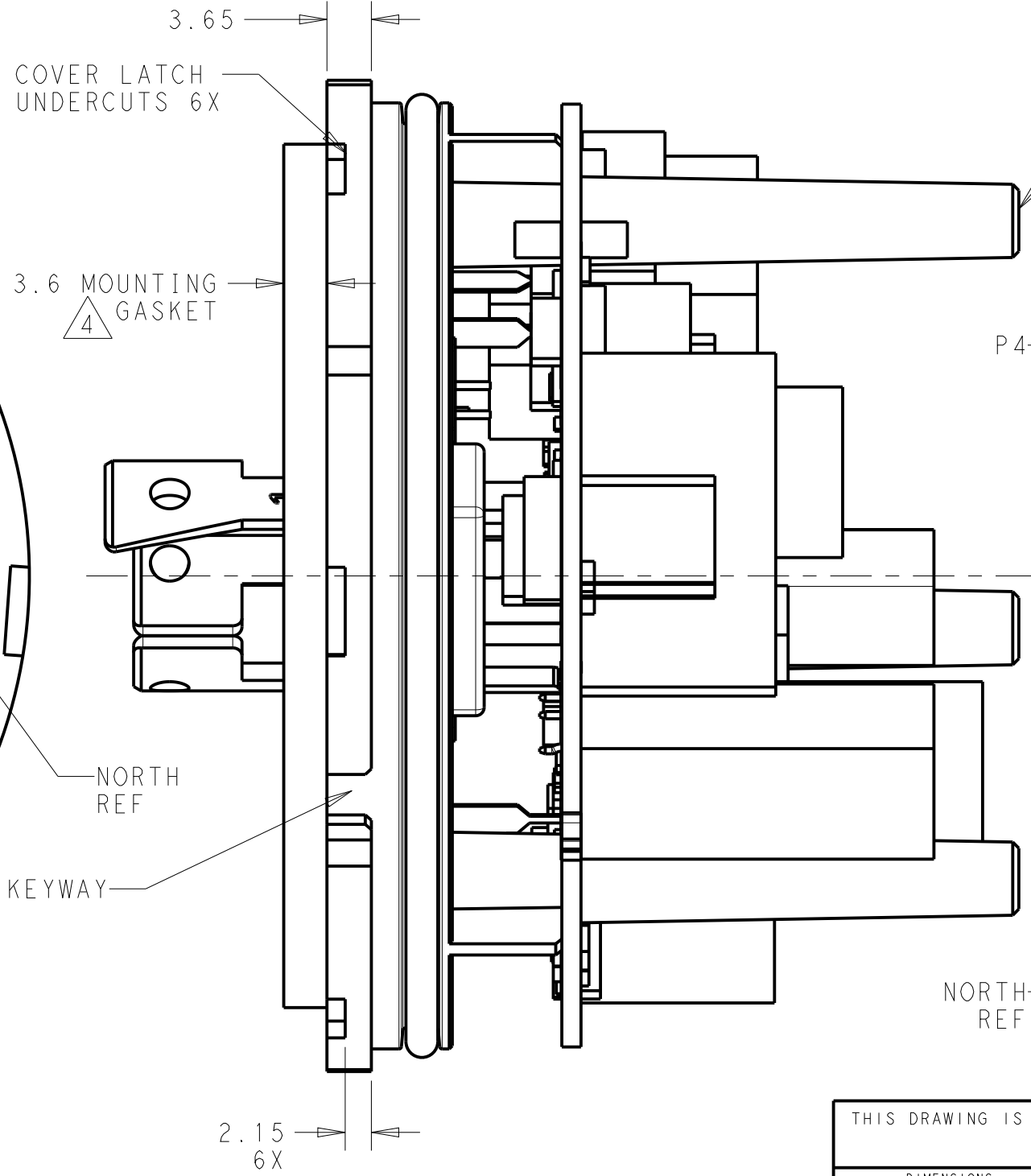
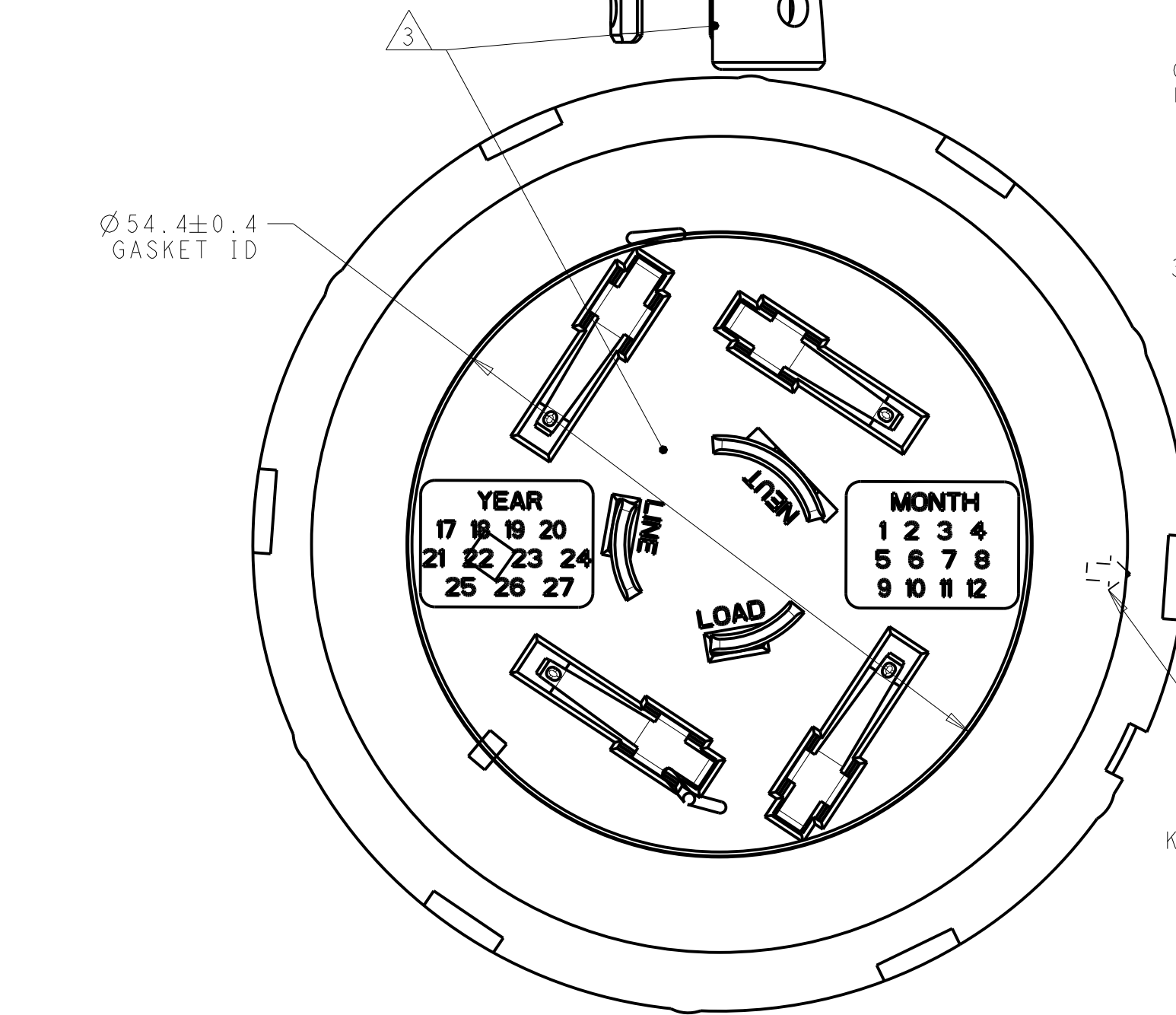
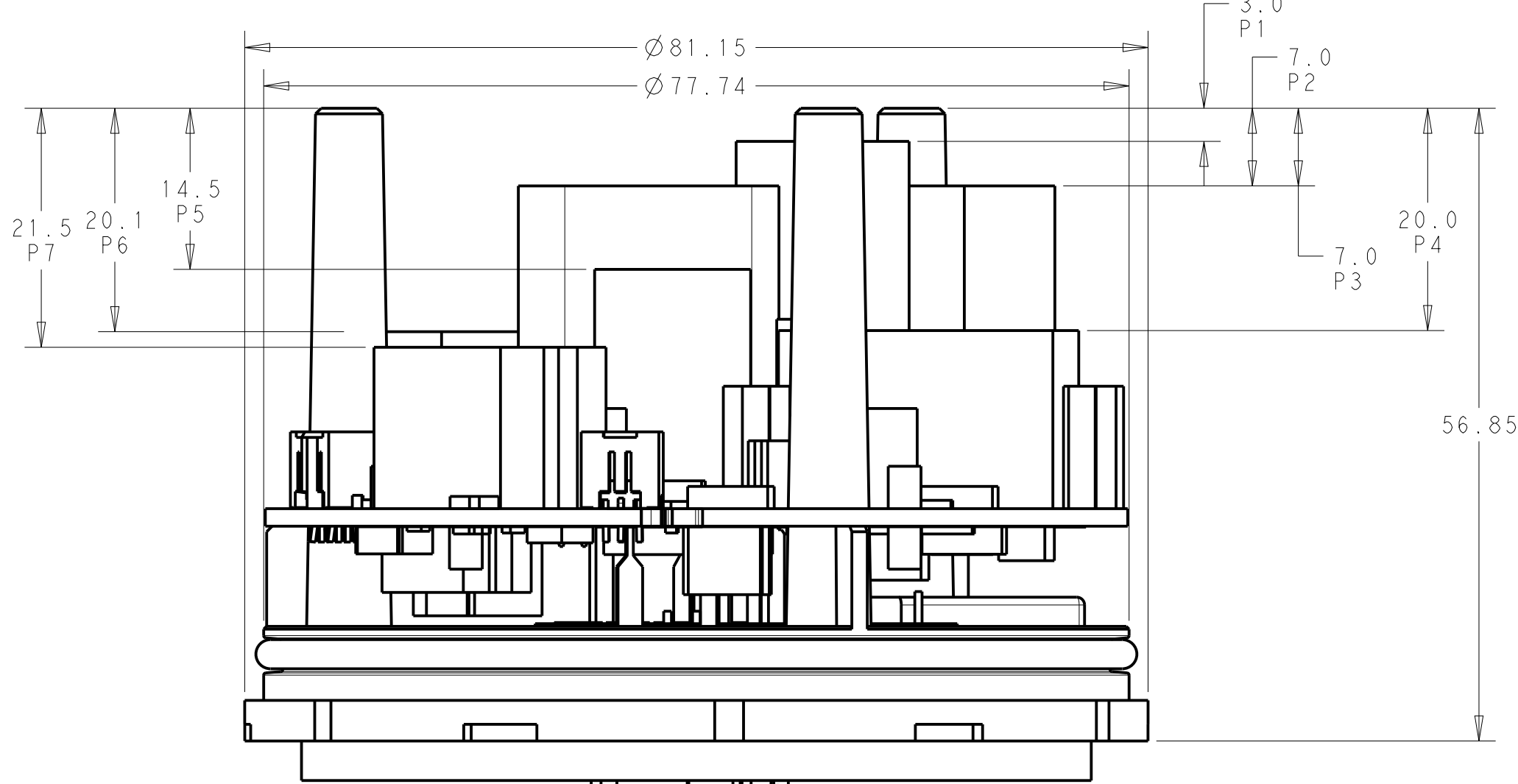
PRODUCT SPEC: 108-133085  
APPLICATION SPEC: 114-133085

SIZE: A2 CAGE CODE: 00779 DRAWING NO: C-2314786 RESTRICTED TO: -

MATERIAL: - FINISH: -

CUSTOMER DRAWING SCALE: 2:1 SHEET: 1 OF 4 REV: A1

P	LTR	DESCRIPTION	DATE	DWN	APVD
-	-	SEE SHEET 1	-	-	-



THIS DRAWING IS A CONTROLLED DOCUMENT.		DWN C. DAILY 30DEC2016	TE Connectivity	
		CHK C. GINGRICH 30DEC2016		
DIMENSIONS: mm		TOLERANCES UNLESS OTHERWISE SPECIFIED:		NAME ASSEMBLY, LUMAWISE ENDURANCE N ENHANCED BASE
		0 PLC ±	1 PLC ±0.35	PRODUCT SPEC 108-133085
		2 PLC ±0.25	3 PLC ±	APPLICATION SPEC 114-133085
		4 PLC ±	ANGLES ±3°	SIZE A200779
MATERIAL		FINISH		CAGE CODE C-2314786
				DRAWING NO G-2314786
				RESTRICTED TO
				SCALE 2:1 SHEET 2 OF 4 REV A1
				CUSTOMER DRAWING

P	LTR	DESCRIPTION	DATE	DWN	APVD
-	-	SEE SHEET 1	-	-	-

2.5 MAX  
AT LOCATION P1

21.3 MAX  
TO FIT UNDER TE COVER  
PN: 2306130-X

TALLEST COMPONENT  
P5 THIS QUADRANT

Ø 3.40  
3X

22.2°  
REF

TALLEST COMPONENT  
P5 THIS QUADRANT

120°  
3X

Ø 70.00  
MAX

OPTIONAL FLAT TO  
INDICATE NORTH

4.2°  
REF

TALLEST COMPONENT  
P1 THIS QUADRANT

TALLEST COMPONENT  
P3 THIS QUADRANT

Ø 63.00


Ø 6.0  
KEEP OUT  
TOWER MOUNTING  
3 PLACES

TOP SIDE

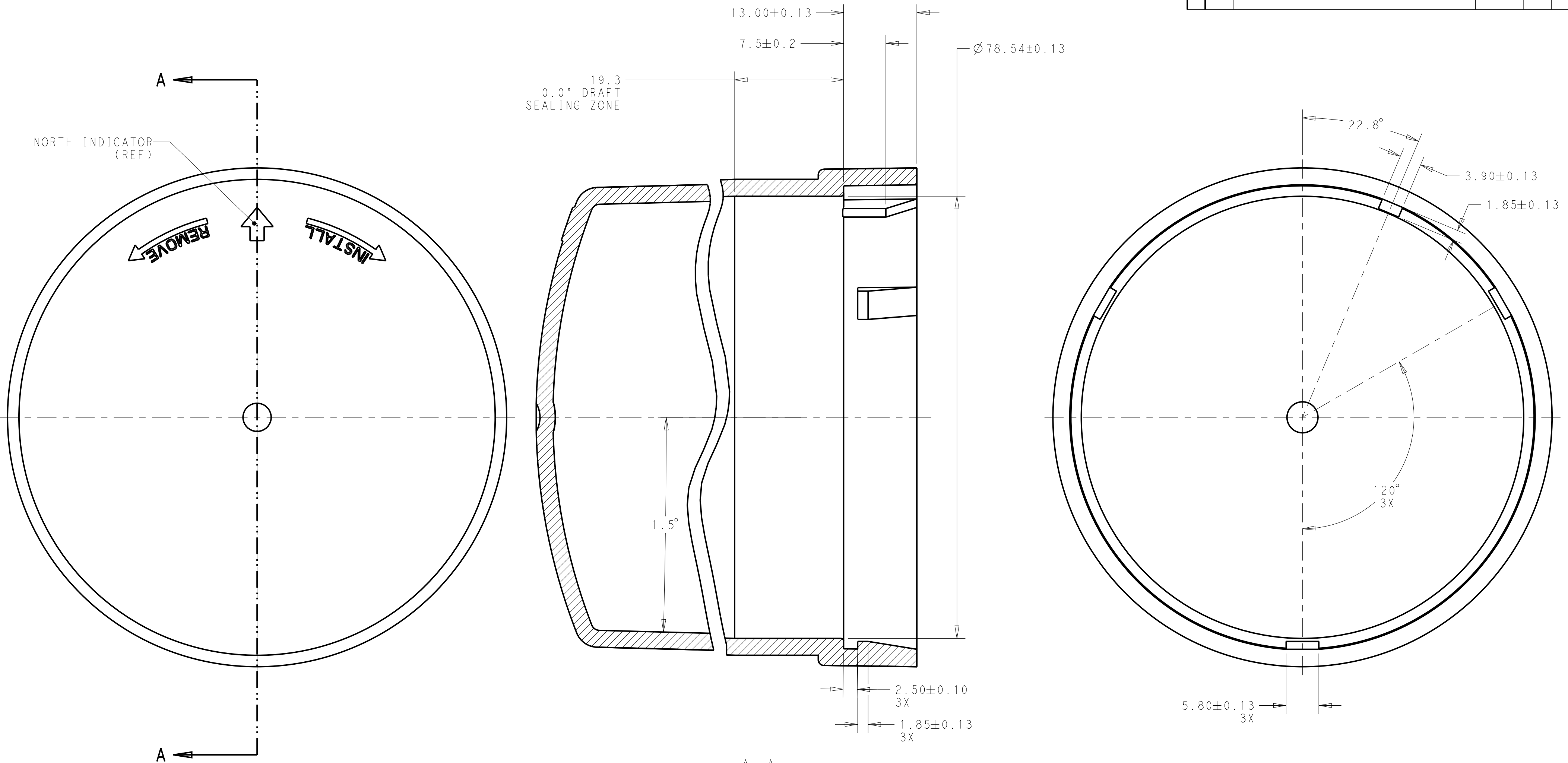
67  
REF

RECOMMENDED CUSTOMER PCB  
SCALE 3:1

1.60

THIS DRAWING IS A CONTROLLED DOCUMENT.		DWN C. DAILY 30DEC2016	 TE Connectivity	
		CHK C. GINGRICH 30DEC2016		
DIMENSIONS: mm		APVD	NAME ASSEMBLY, LUMAWISE ENDURANCE N ENHANCED BASE	
TOLERANCES UNLESS OTHERWISE SPECIFIED: 0 PLC ± 1 PLC ±0.35 2 PLC ±0.25 3 PLC ± 4 PLC ± ANGLES ±3° FINISH		PRODUCT SPEC 108-133085	RESTRICTED TO	
MATERIAL		APPLICATION SPEC 114-133085	SIZE A200779	CAGE CODE C-2314786
		WEIGHT	DRAWING NO	
		CUSTOMER DRAWING	SCALE 2:1 SHEET 3 OF 4 REV A1	

P	LTR	DESCRIPTION	DATE	DWN	APVD
-		SEE SHEET 1	-	-	-



MATING COVER DIMENSIONS FOR 81MM DIAMETER BASES

(2306130-X REF)



THIS DRAWING IS A CONTROLLED DOCUMENT.		DWN C. DAILY 30DEC2016	TE Connectivity	
		CHK C. GINGRICH 30DEC2016		
DIMENSIONS: mm 		TOLERANCES UNLESS OTHERWISE SPECIFIED: 0 PLC ± 1 PLC ±0.35 2 PLC ±0.25 3 PLC ± 4 PLC ± ANGLES ±3° FINISH -		NAME ASSEMBLY, LUMAWISE ENDURANCE N ENHANCED BASE
MATERIAL		PRODUCT SPEC 108-133085 APPLICATION SPEC 114-133085 WEIGHT -		SIZE A200779
		CUSTOMER DRAWING		DRAWING NO C-2314786 RESTRICTED TO
		SCALE 2:1		SHEET 4 OF 4 REV A1