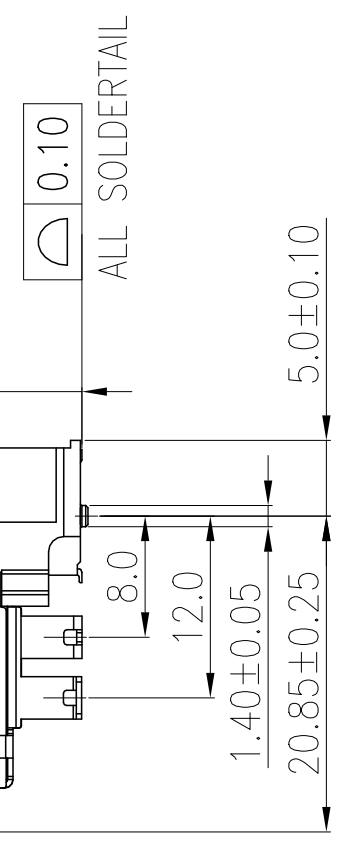
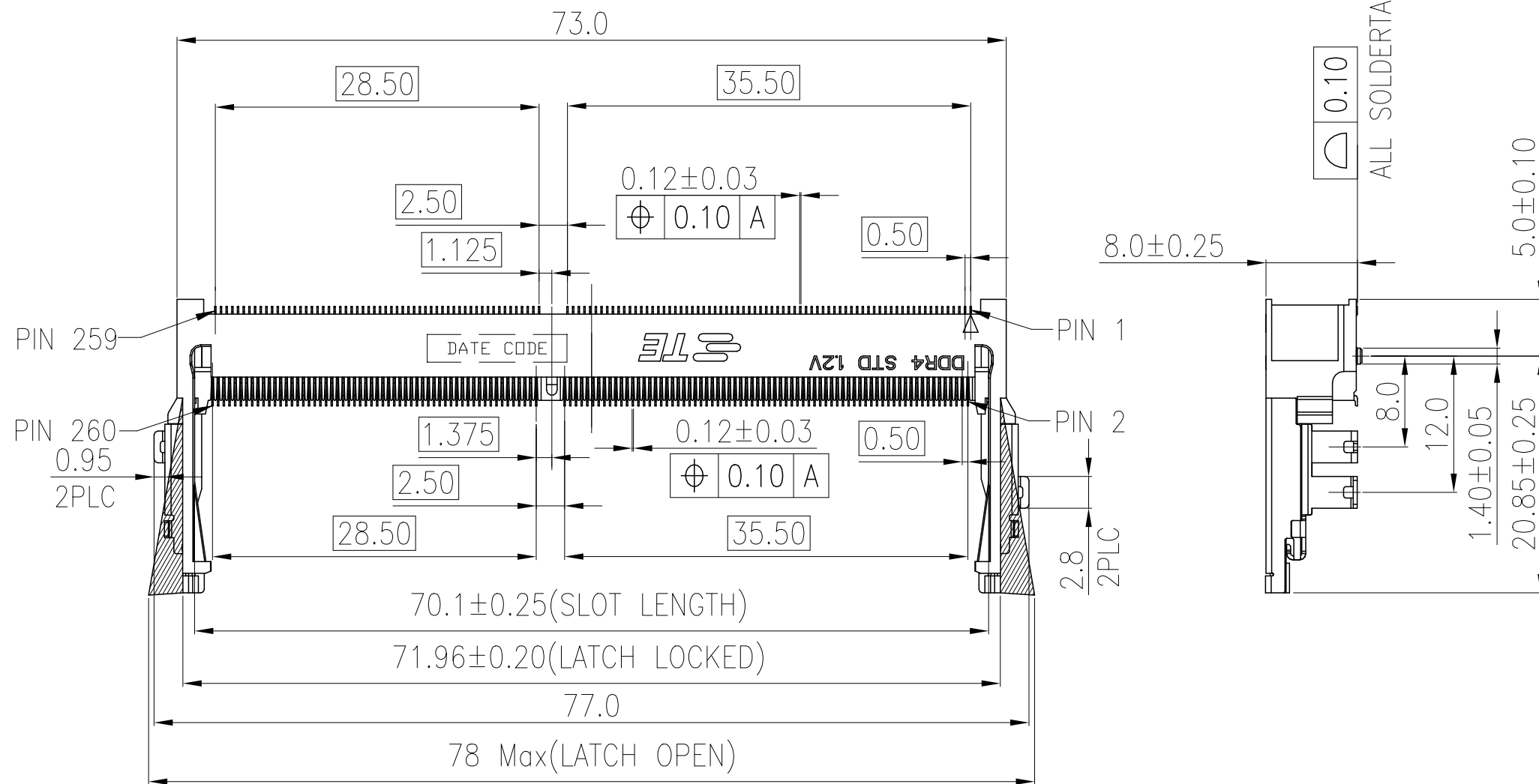
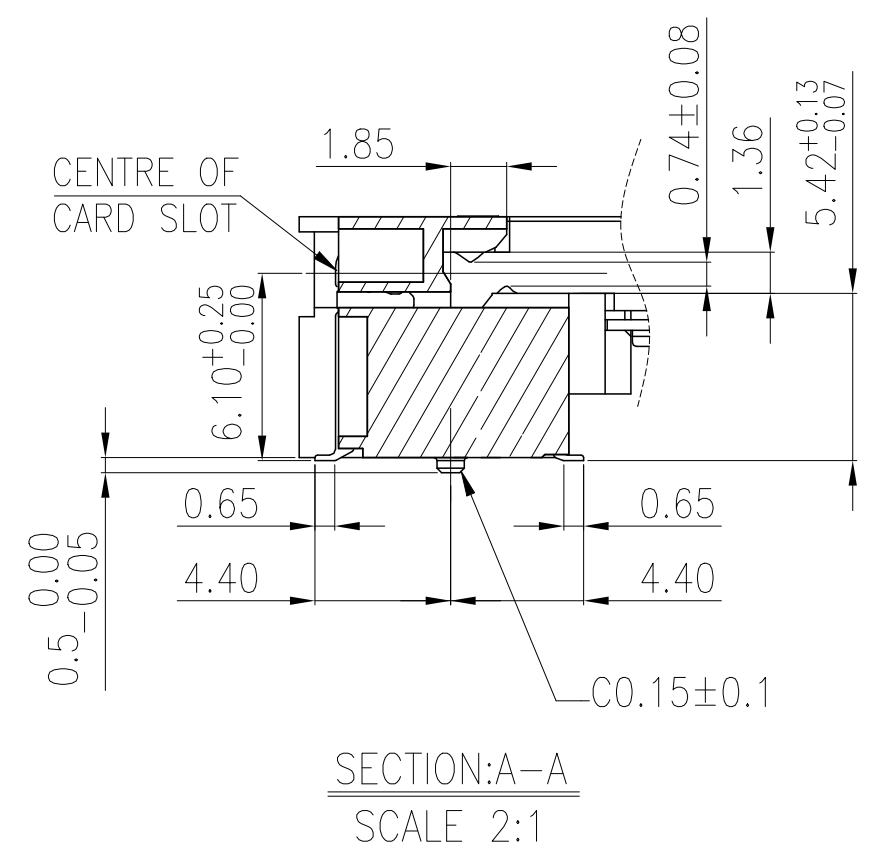
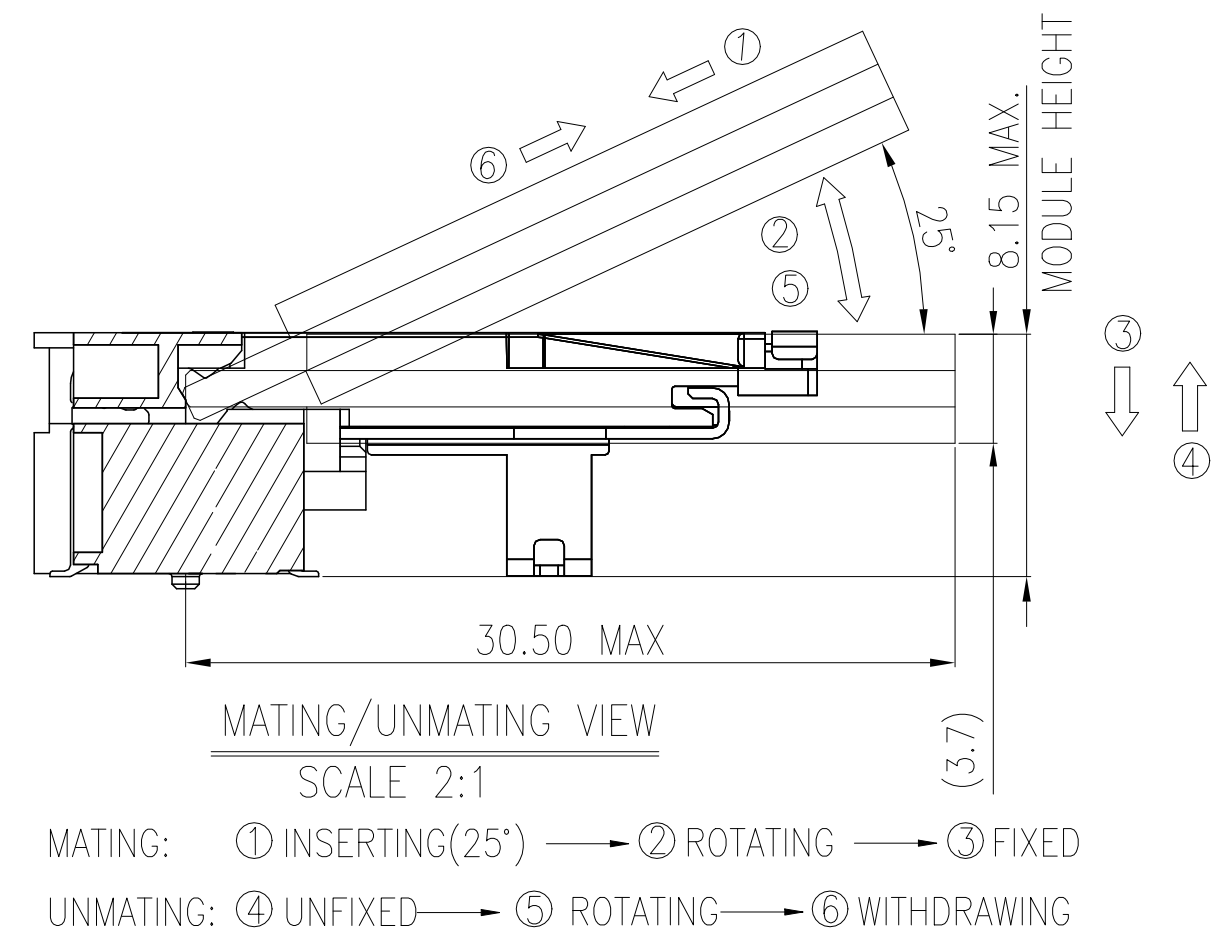
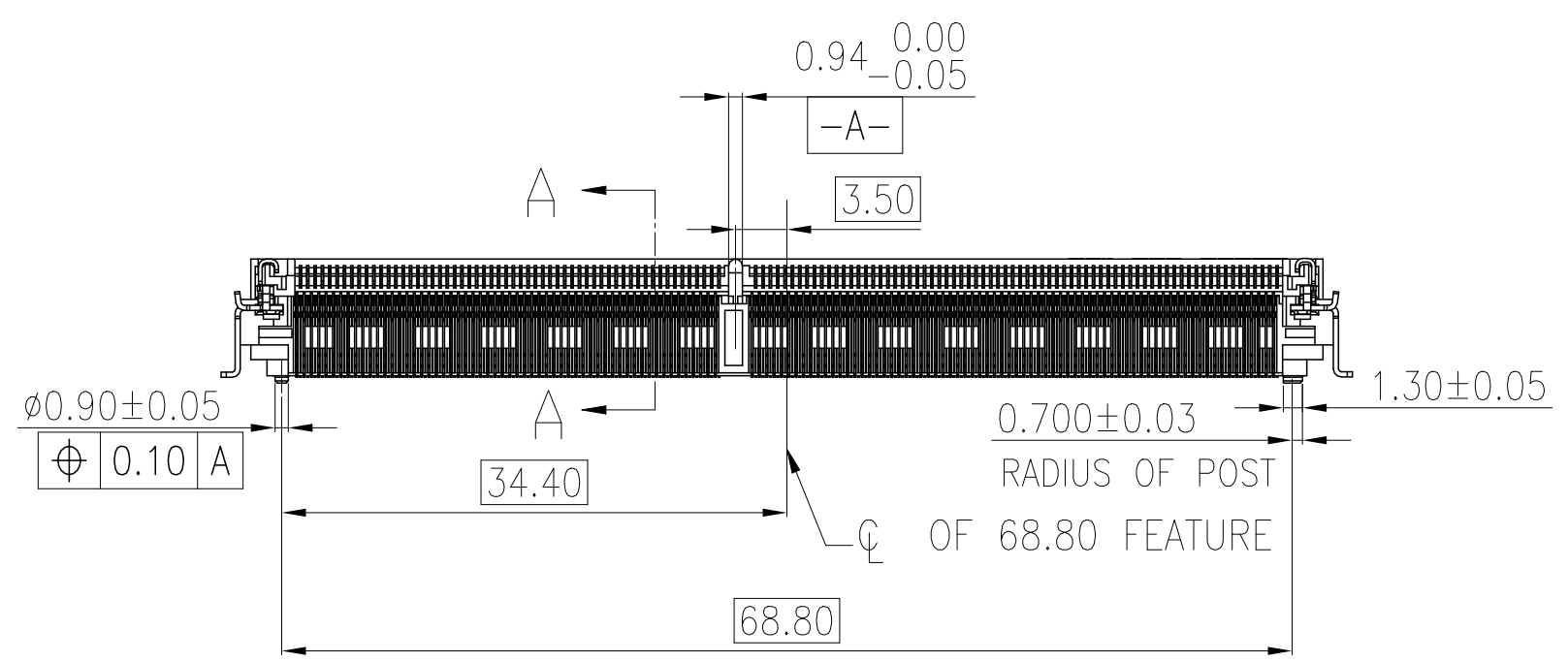


REVISIONS					
P	LTR	DESCRIPTION	DATE	DWN	APVD
4		CHANGE DIM 0.80 TO 0.74 +/-0.08	16NOV2020	SS	DZ



NOTES:
 1. MATERIAL:
 1.1 HOUSING: HIGH TEMPERATURE THERMO PLASTIC,UL94V-0,COLOR:BLACK.
 1.2 CONTACT: COPPER ALLOY.
 1.3 SOLDER PEG AND LATCH:STAINLESS STEEL.
 2. FINISH:
 SOLDER PEG: GOLD FLASH ON 50u" MIN NICKEL UNDERPLATED ALL OVER.
 CONTACT SOLDER AREA: GOLD FLASH ON SOLDER TAIL.
 2.1 CONTACT AREA: GOLD FLASH ON 50u" MIN NICKEL UNDERPLATED ALL OVER.
 2.2 CONTACT AREA: 5u" ON 50u" MIN NICKEL UNDERPLATED ALL OVER.
 2.3 CONTACT AREA: 10u" ON 50u" MIN NICKEL UNDERPLATED ALL OVER.
 2.4 CONTACT AREA: 15u" ON 50u" MIN NICKEL UNDERPLATED ALL OVER.
 2.5 CONTACT AREA: 30u" ON 50u" MIN NICKEL UNDERPLATED ALL OVER.
 3. COPLANARITY: 0.10 MAX. (BEFORE SOLDERING)

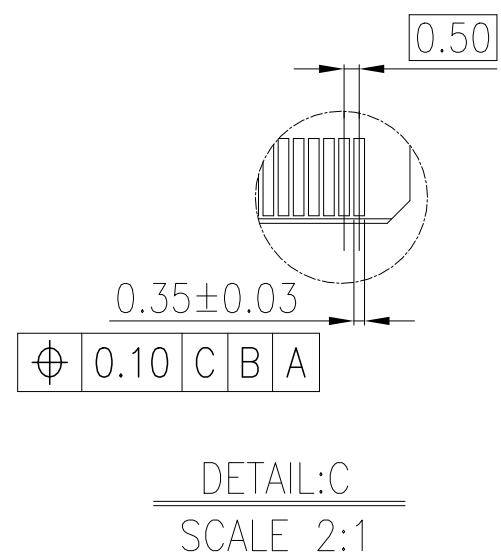
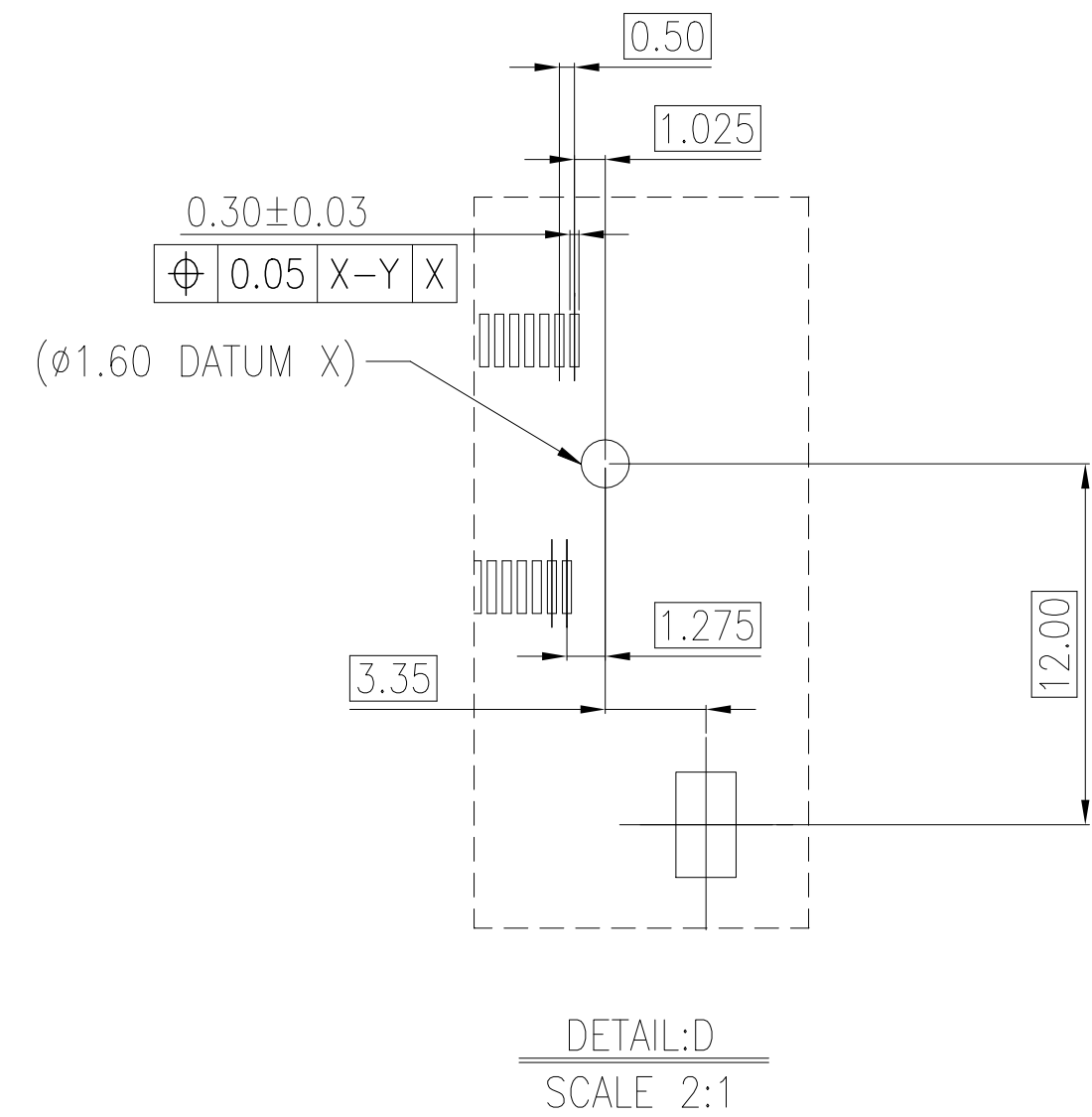
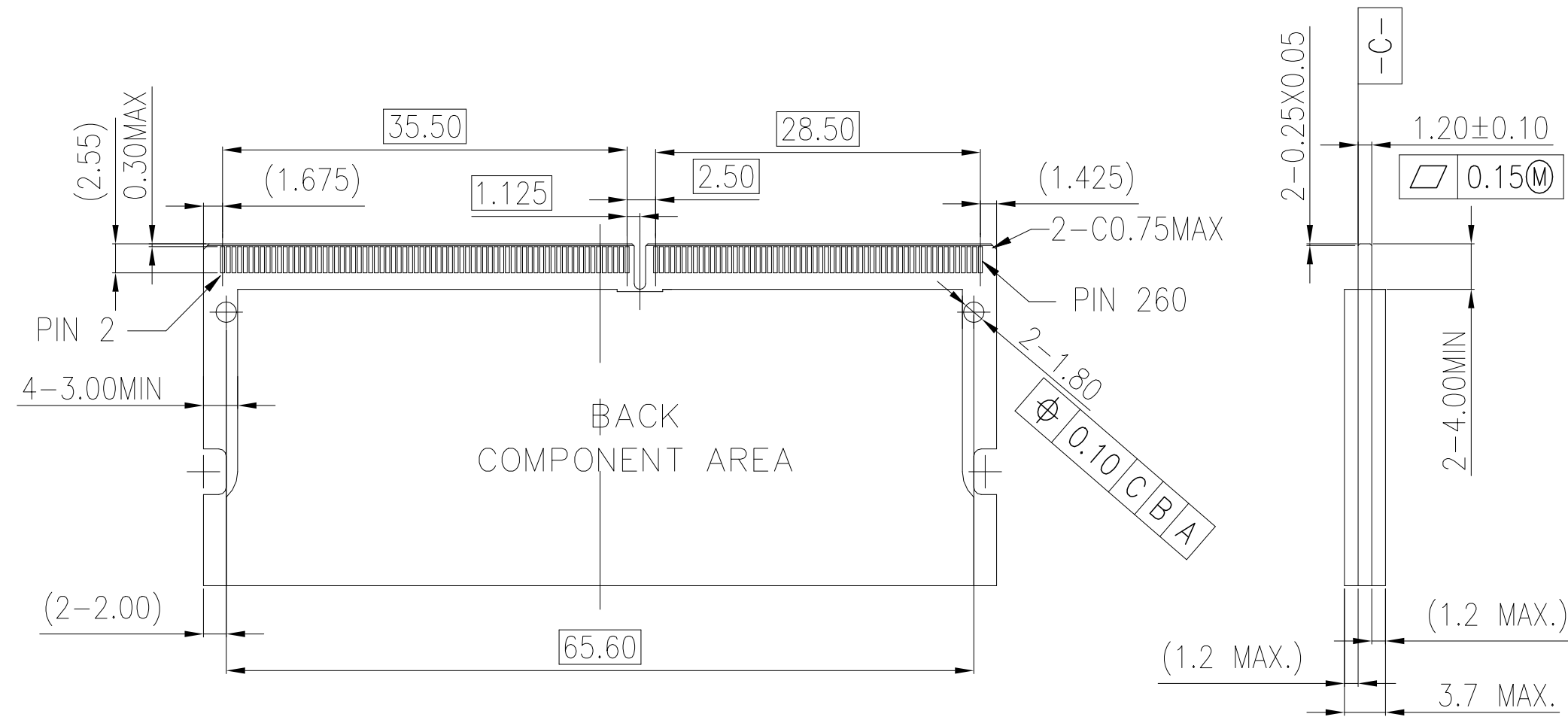
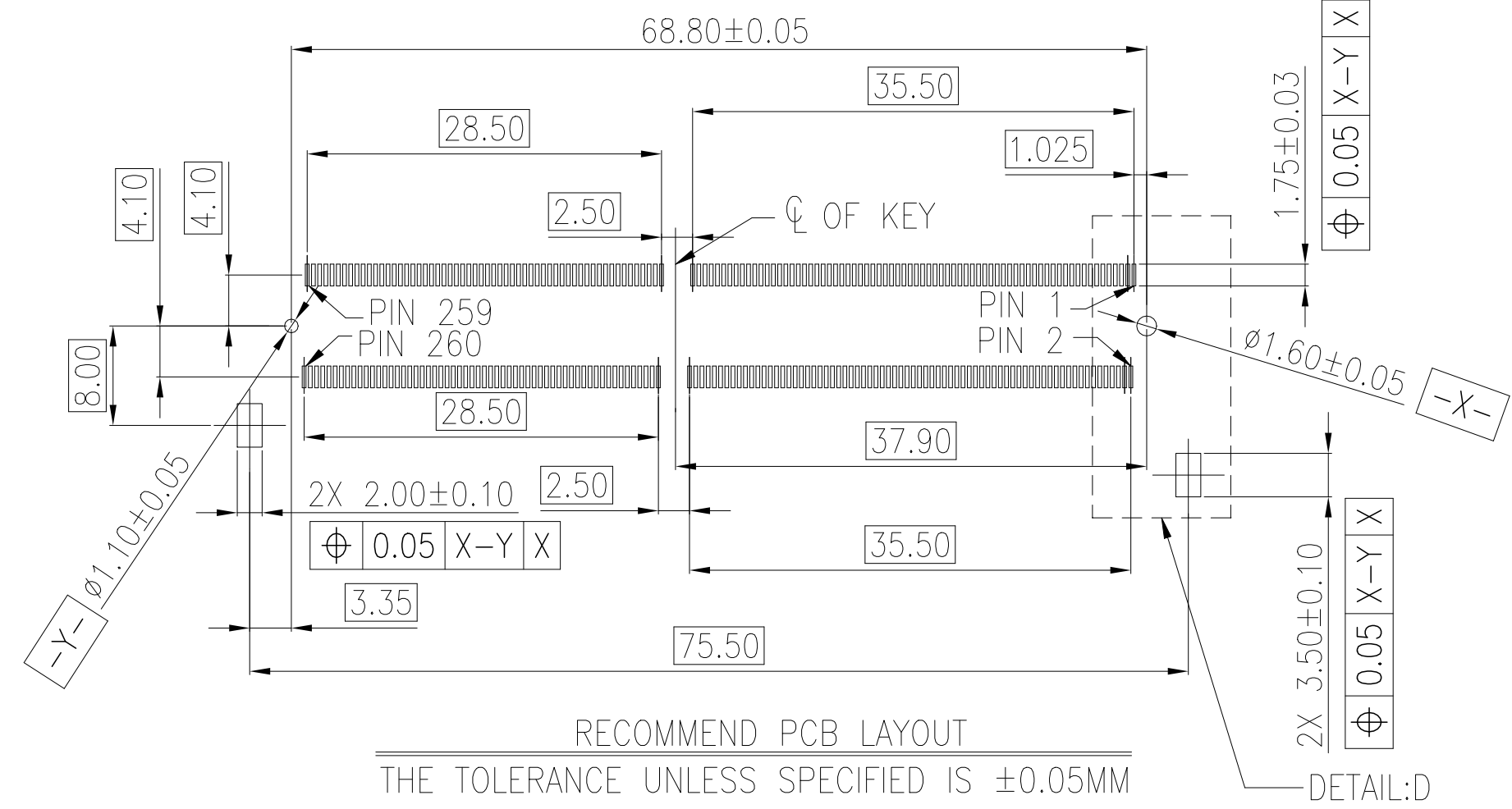
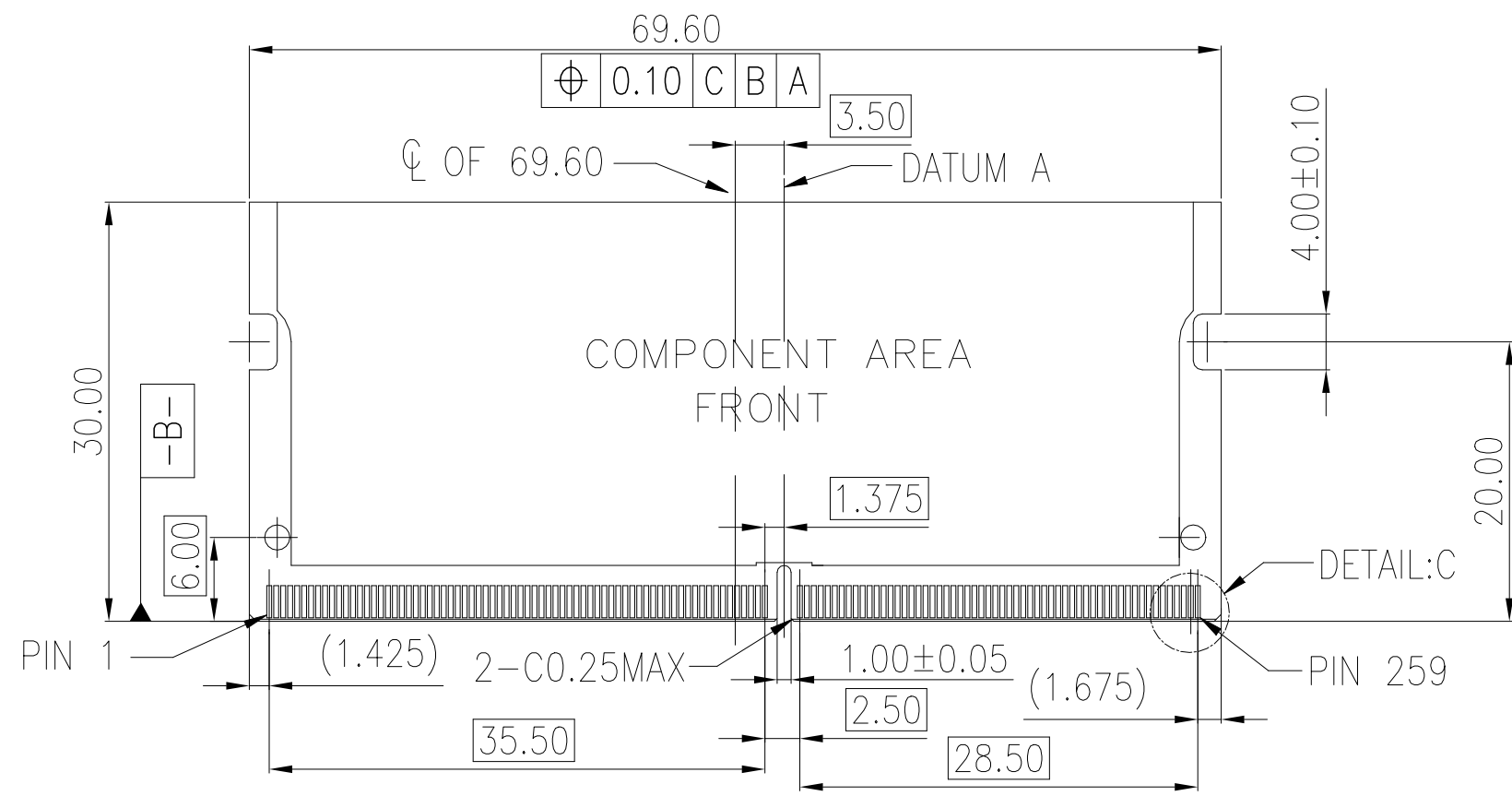


TAPE&REEL	HOUSING COLOR	POWER SUPPLY	FINISH	POS	PART NO.
BLACK	BLACK	1.2V	30u"	260	2309411-5
BLACK	BLACK	1.2V	15u"	260	2309411-4
BLACK	BLACK	1.2V	10u"	260	2309411-3
BLACK	BLACK	1.2V	5u"	260	2309411-2
BLACK	BLACK	1.2V	GF	260	2309411-1

THIS DRAWING IS A CONTROLLED DOCUMENT.

DWN DAVID ZHAO 09SEP2016		TE Connectivity DDR4 SODIMM SOCKET 0.5mm PITCH 260POS 8.0mm HEIGHT STANDARD TYPE			
CHK RICHARD MA 09SEP2016					
APVD SIMON LI 09SEP2016					
PRODUCT SPEC 108-115122					
MATERIAL	WEIGHT	SIZE A2	CAGE CODE 00779	DRAWING NO C=2309411	RESTRICTED TO
CUSTOMER DRAWING		SCALE 1:1	SHEET 1 of 3	REV 4	

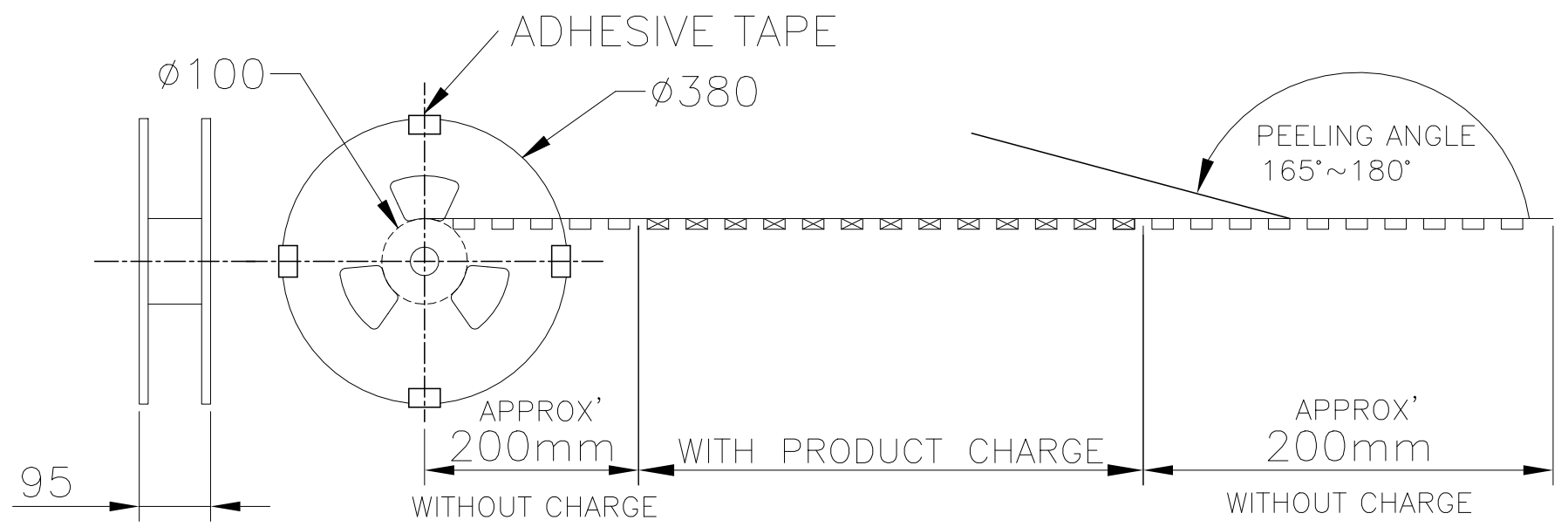
REVISIONS				
P	LTR	DESCRIPTION	DATE	OWN APVD
-	-	-	-	-



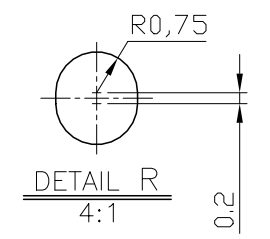
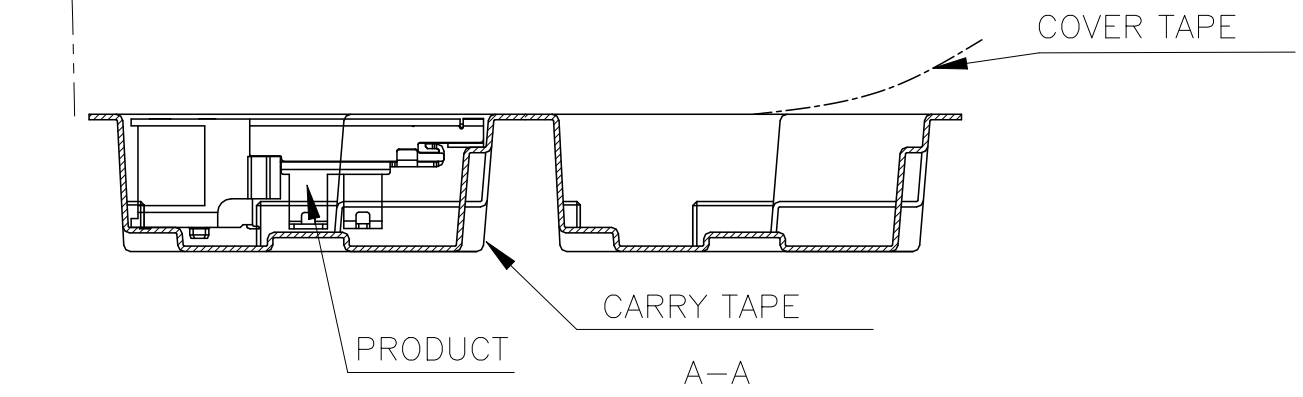
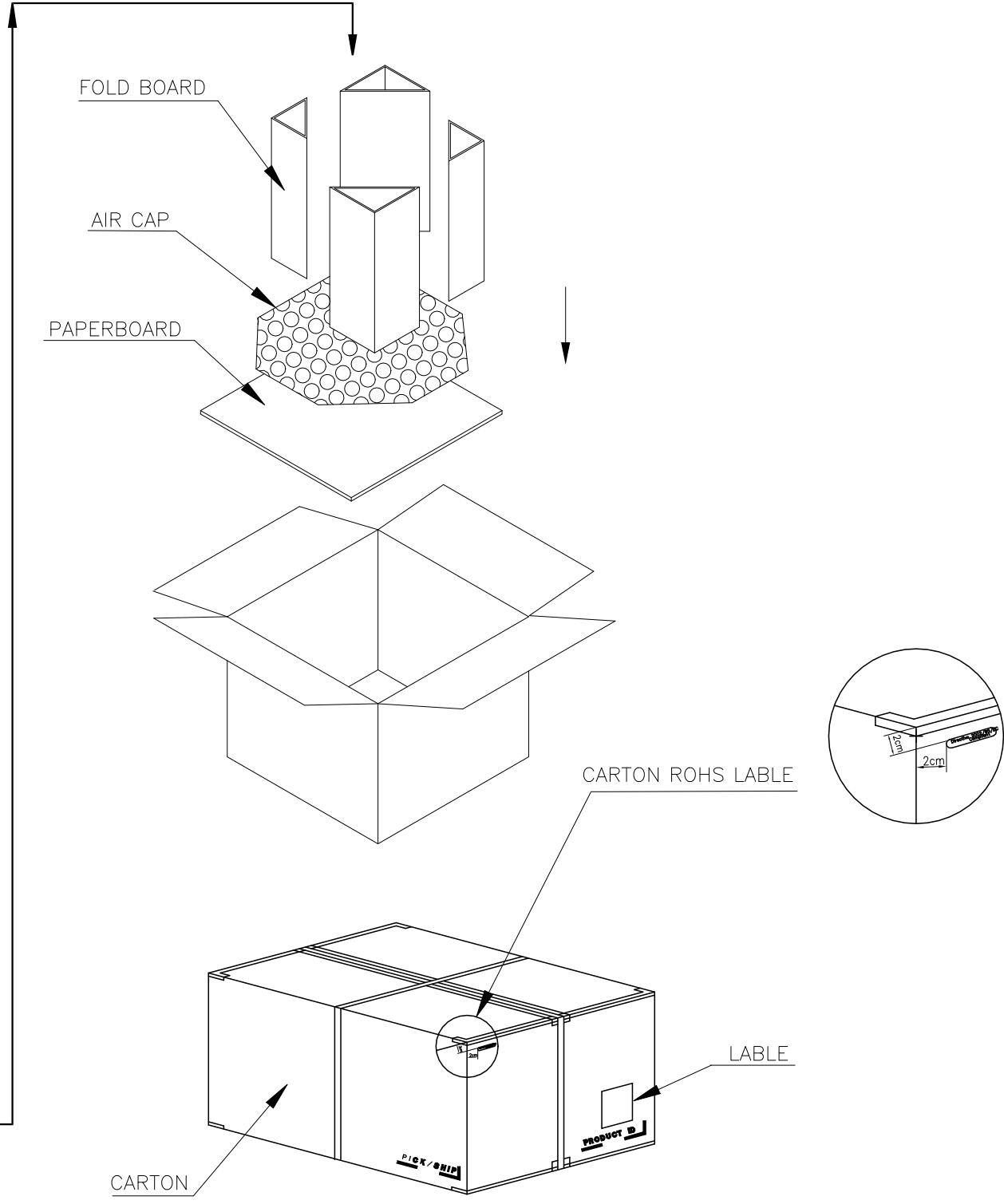
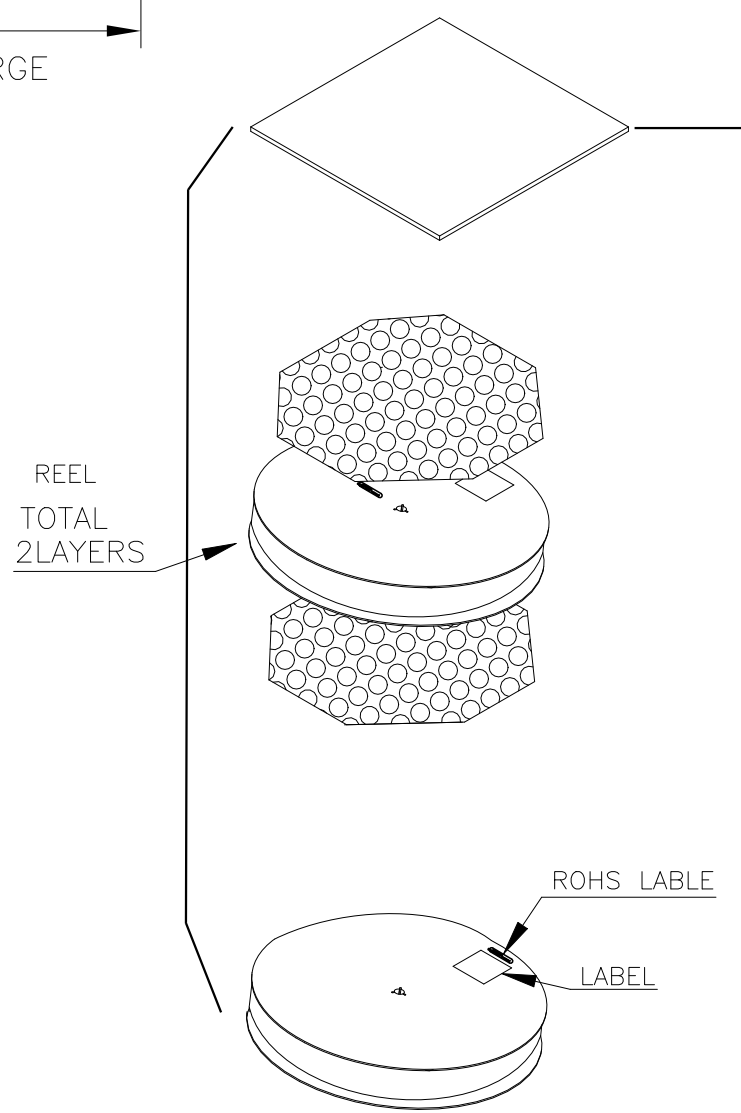
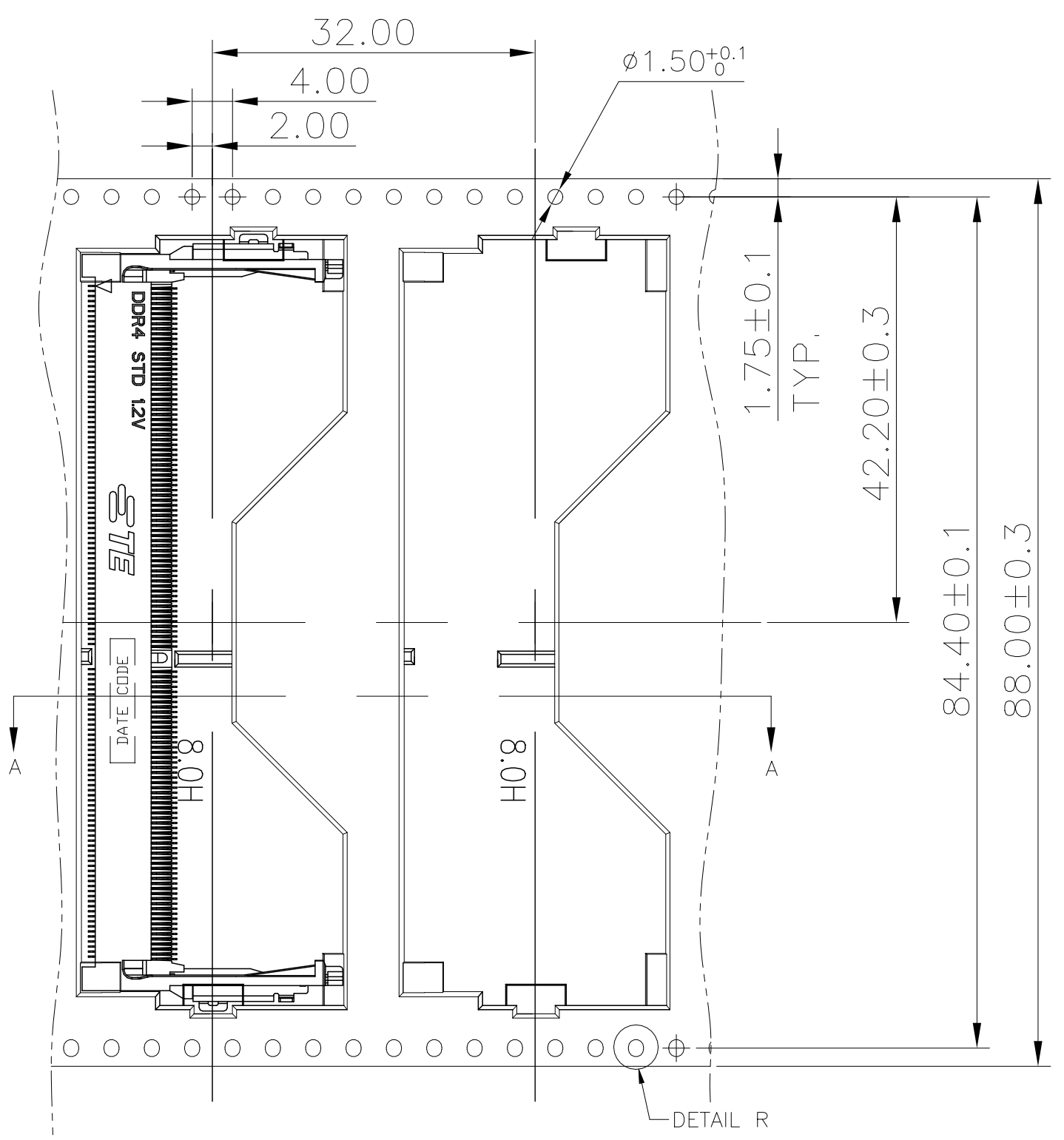
THIS DRAWING IS A CONTROLLED DOCUMENT.		DWN DAVID ZHAO 09SEP2016	 TE Connectivity NAME DDR4 SODIMM SOCKET 0.5mm PITCH 260POS 8.0mm HEIGHT STANDARD TYPE
DIMENSIONS: mm		CHK RICHARD MA 09SEP2016	
TOLERANCES UNLESS OTHERWISE SPECIFIED:		APVD SIMON LI 09SEP2016	
0 PLC ± 1 PLC ± 2 PLC ± 3 PLC ± 4 PLC ± ANGLES ± FINISH ±		PRODUCT SPEC	
MATERIAL		APPLICATION SPEC	SIZE A2
		WEIGHT	CAGE CODE 00779
		CUSTOMER DRAWING	DRAWING NO. C=2309411
			RESTRICTED TO -
			SCALE 1:1 SHEET 2 OF 3 REV 4

THIS DRAWING IS UNPUBLISHED. RELEASED FOR PUBLICATION
 © COPYRIGHT 2016 By TE connectivity ALL RIGHTS RESERVED.

REVISIONS					
P	LTR	DESCRIPTION	DATE	OWN	APVD
-	-	-	-	-	-



PULL OUT DIRECTION →



250	2	500	*-2309411-*
PCS/REEL	REEL/CARTON	PCS/CARTON	PART NUMBER

THIS DRAWING IS A CONTROLLED DOCUMENT.		DWN DAVID ZHAO 09SEP2016	
DIMENSIONS: mm		CHK RICHARD MA 09SEP2016	
TOLERANCES UNLESS OTHERWISE SPECIFIED:		APVD SIMON LI 09SEP2016	NAME
0 PLC ±	1 PLC ±	PRODUCT SPEC	DDR4 SODIMM SOCKET
2 PLC ±	3 PLC ±	APPLICATION SPEC	0.5mm PITCH 260POS
4 PLC ±	ANGLES ±	WEIGHT	8.0mm HEIGHT STANDARD TYPE
MATERIAL	FINISH	CUSTOMER DRAWING	SIZE A2
			CAGE CODE 00779
			DRAWING NO. C=2309411
			RESTRICTED TO -
			SCALE 1:1
			SHEET 3 of 3
			REV 4