

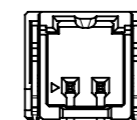
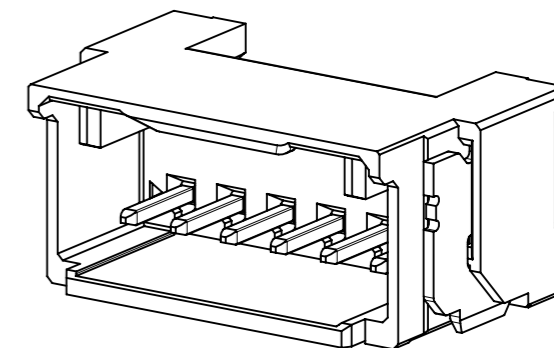
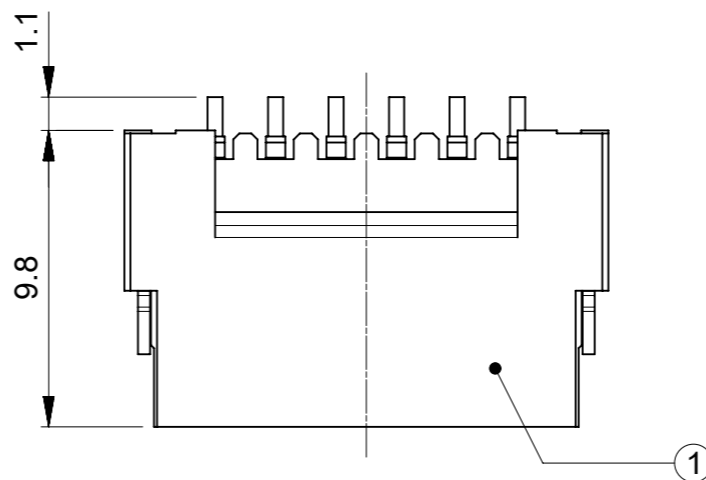
NOTES

- ① 材料及び仕上げ(めっき仕様) : TABLE 1 参照
MATERIAL AND FINISHES : SEE TABLE 1
- 2. 製品仕様書 : 2059790000-PS 000
PRODUCT SPECIFICATION:2059790000-PS 000
- 3. 梱包形態 : SHEET 4 参照
PACKAGING INFORMATION : SEE SHEET 4
- ④ 嵌合相手 : 205979(ISLタイプ),212724(TPAタイプ) シリーズ
MATES WITH:205979(ISL TYPE),212724(TPA TYPE) SERIES
- 5. アプリケーション仕様書(コネクタ取扱い説明書) :
2059790000-AS 000
APPLICATION SPECIFICATION(CONNECTOR MANUAL):
2059790000-AS 000
- 6. 端子テール部及びネイルの平坦度:0.1mm以下。
TAIL AND NAIL COPLANARITY TO BE 0.1mm MAX
- ⑦ 極数/2 = 偶数に適合
APPLY FOR CIRCUIT SIZE / 2 =EVEN
- 8. 端子テール部及びネイルに錫ビスマスめっきを使用している為、
外観に摺動痕が付く場合があります。
THE WOUND OF FRICTION MIGHT ADHERE TO EXTERNALS
BECAUSE THE TIN BISMUTH PLATING IS USED FOR THE TAIL AND NAIL.
- 9. 本製品のプラスチック部に黒点・白点等が確認される場合や
色合いが異なる場合がありますが、製品性能に影響はありません。
THERE IS NO INFLUENCE IN THE PRODUCT
PERFORMANCE THOUGH THE BLACK AND WHITE SPOT ETC.
MIGHT BE CONFIRMED TO THE PLASTIC PART OF
THIS PRODUCT AND THE SHADE MIGHT BE DIFFERENT.
- 10. この製品は205972のGlow Wire適合バージョンです。
THIS PRODUCT IS A GLOW WIRE COMPLIANT VERSION OF 205972.
- ⑪ ISLタイプを嵌合する場合、ヘッダーコネクタは基板端面から
1.0mm以下の位置に実装すること。
WHEN MATING THE ISL TYPE, HEADER CONNECTOR OUTLINE
MUST BE MOUNTED 1.0mm MAX FROM THE PCB EDGE.

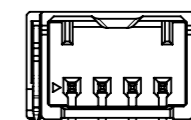
① TABLE 1

番号 No.	部品 PART	材質 MATERIAL
①	ハウジング HOUSING	ポリアミド(PA),UL94V-0, 色 : SEE CHART POLYAMIDE(PA), UL94V-0, COLOR : SEE CHART
②	ターミナル TERMINAL	黄銅 BRASS
		錫ビスマスめっき : 1.0micro-meter MIN TIN BISMUTH PLATING(TAIL AREA,CONTACT AREA)
③	ネイル NAIL	ニッケルめっき(下地):1.0 micro-meter MIN NICKEL(UNDER PLATING)
		黄銅 BRASS
		錫めっき : 1.0micro-meter MIN MATTE TIN PLATING
		ニッケルめっき(下地):1.0 micro-meter MIN NICKEL(UNDER PLATING)

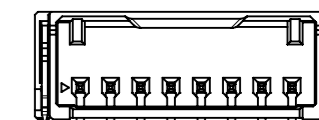
DOCUMENT STATUS | P1 | RELEASE DATE | 2022/07/06 06:59:21



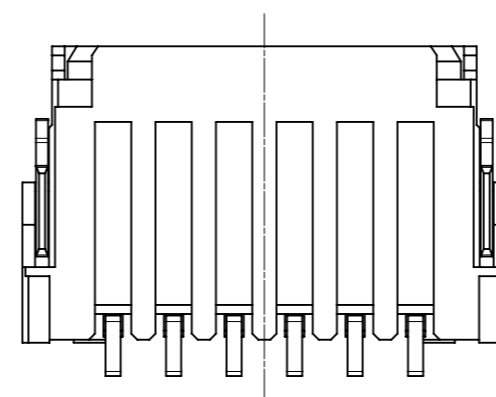
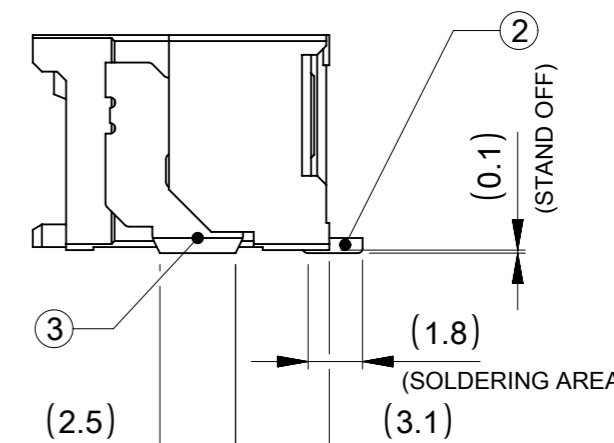
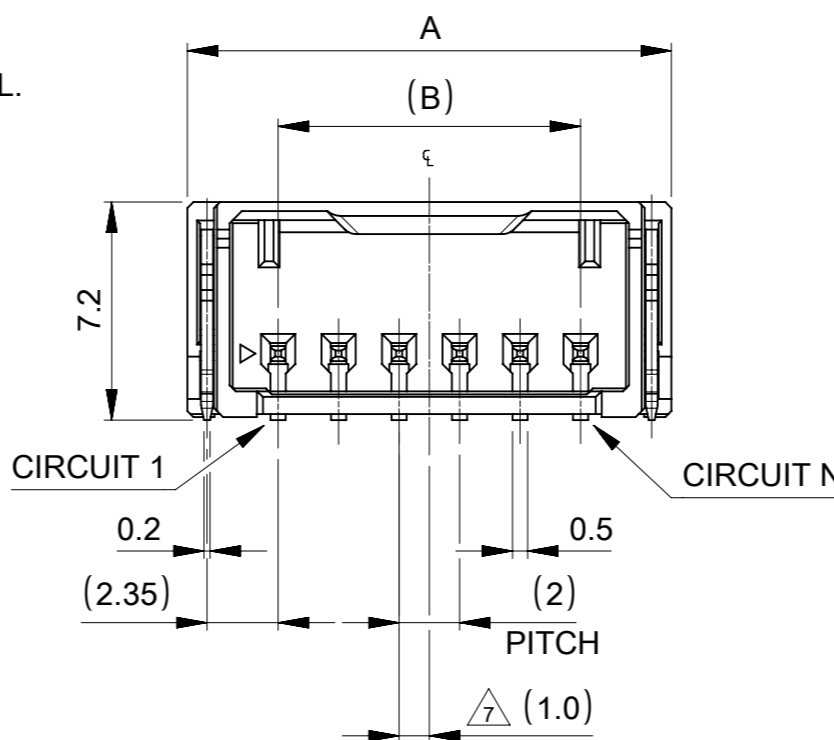
VIEW OF
2-3 CIRCUIT



VIEW OF
4-6 CIRCUIT



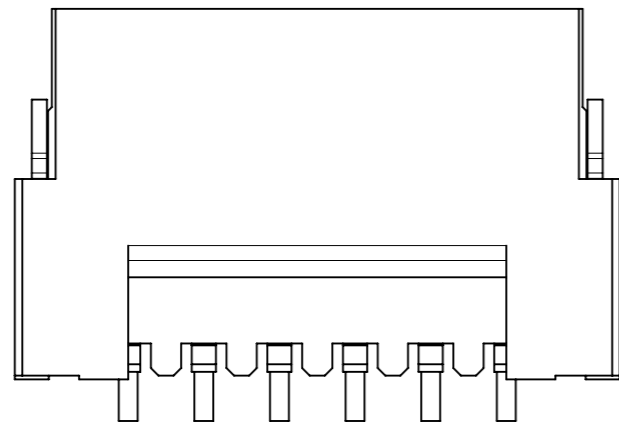
VIEW OF
7-8 CIRCUIT



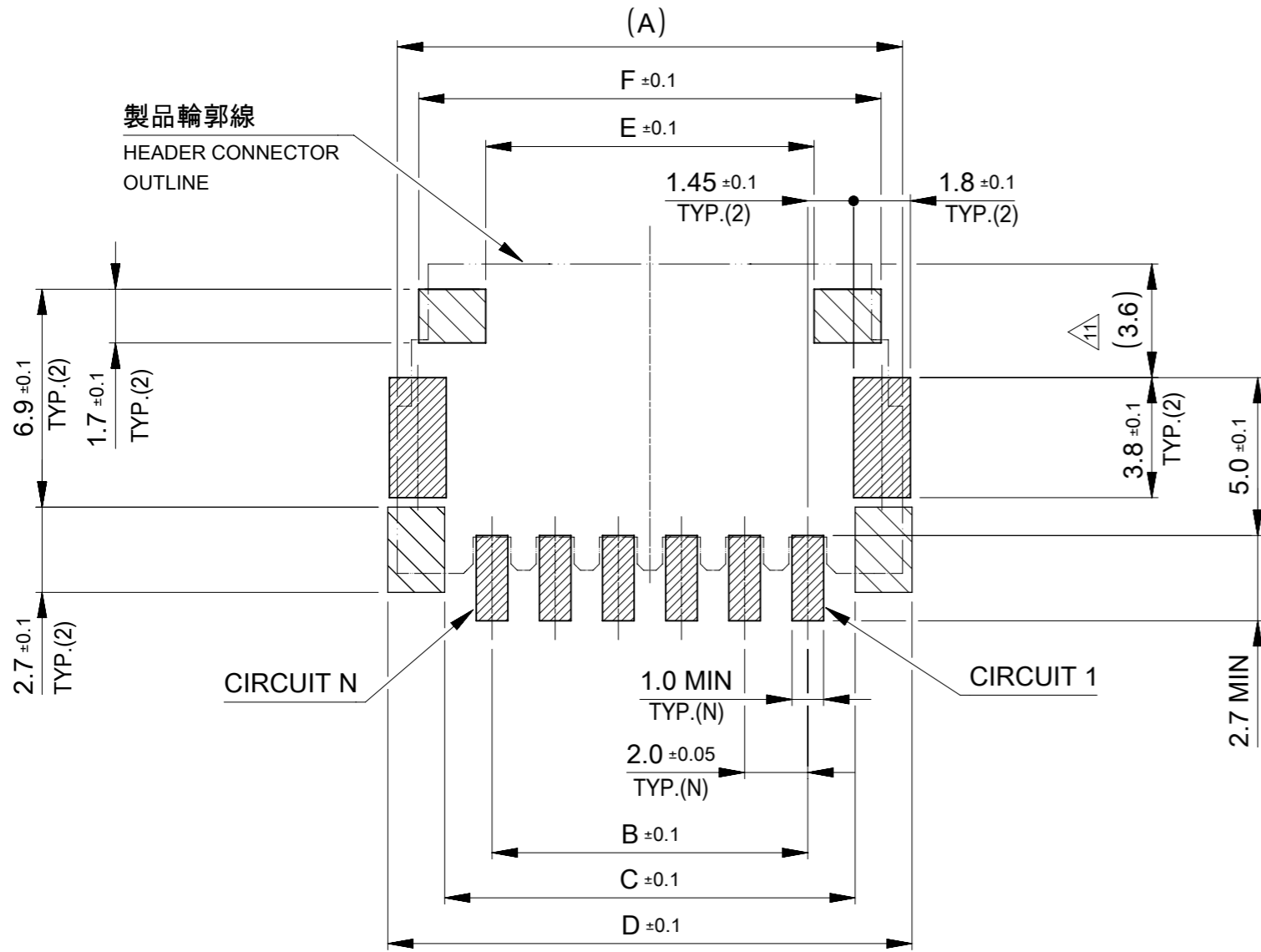
14	20	8
12	18	7
10	16	6
8	14	5
6	12	4
4	10	3
2	8	2
B	A	極数 CIRCUIT SIZE

THIS DRAWING CONTAINS INFORMATION THAT IS PROPRIETARY TO MOLEX ELECTRONIC TECHNOLOGIES, LLC AND SHOULD NOT BE USED WITHOUT WRITTEN PERMISSION

DIMENSION UNITS	SCALE	CURRENT REV DESC:	molex		
mm	NTS		MICRO-ONE 2.0W/B GLOW WIRE TYPE HEADER ASSEMBLY RIGHT ANGLE		
GENERAL TOLERANCES (UNLESS SPECIFIED)			PRODUCT CUSTOMER DRAWING		
ANGULAR TOL	± 3.0 °		DOCUMENT NUMBER		
4 PLACES	± 0.2	EC NO: 713005	2170640000-SD		
3 PLACES	± 0.2	DRWN: KYAMADA02	DOC TYPE	DOC PART	REVISION
2 PLACES	± 0.2	CHK'D: AIDA	PSD	000	D
1 PLACE	± 0.2	APPR: SAKIYAMA	SHEET NUMBER		
0 PLACES	± 0.2	INITIAL REVISION:	1 OF 5		
DRAFT WHERE APPLICABLE MUST REMAIN WITHIN DIMENSIONS		THIRD ANGLE PROJECTION	DRAWING	SERIES	MATERIAL NUMBER
			A3-SIZE	217064	SEE TABLE
					CUSTOMER
					GENERAL

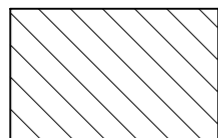


製品レイアウト
PRODUCT LAYOUT

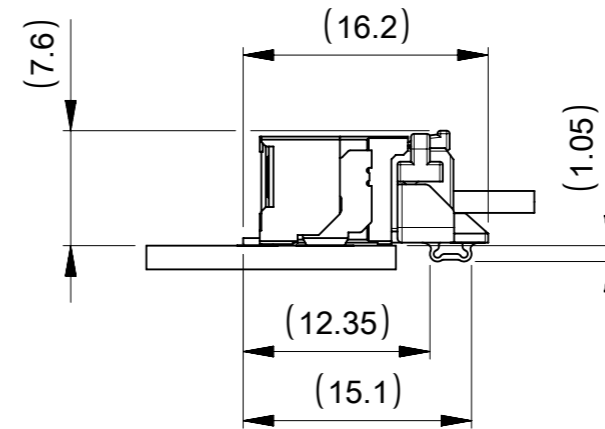
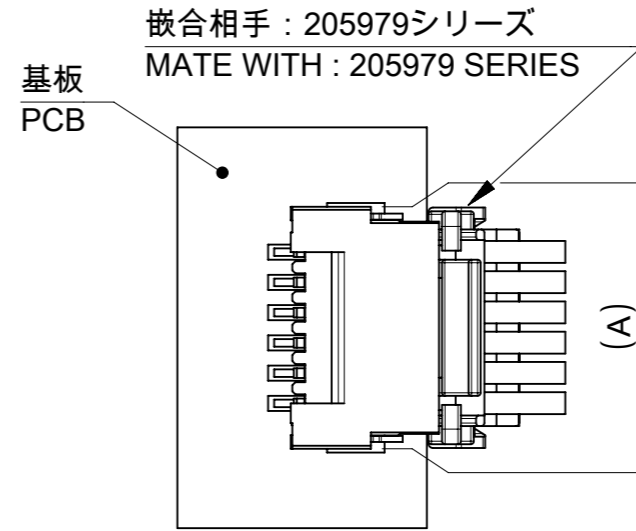


推奨基板レイアウト:実装面側

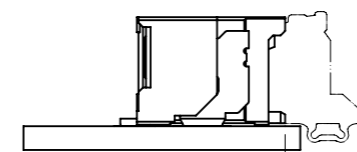
(参考: 基板厚1.6mm, メタルマスク厚0.15mm, マスク開口率100%)
SUGGESTED PCB LAYOUT : COMPONENT SIDE
(REFERENCE: PCB THICKNESS 1.6mm, STENCIL THICKNESS 0.15mm,
APERTURE RATIO 100%)



:パターン禁止エリア
RESTRICTED AREA
NO PCB COMPONENTS ALLOWED



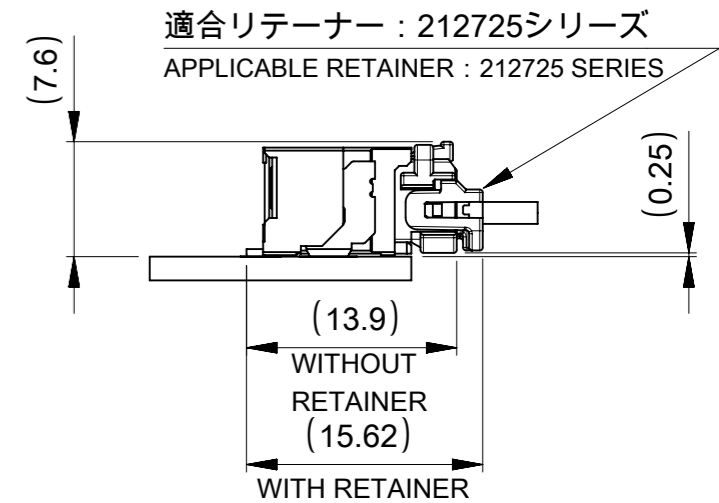
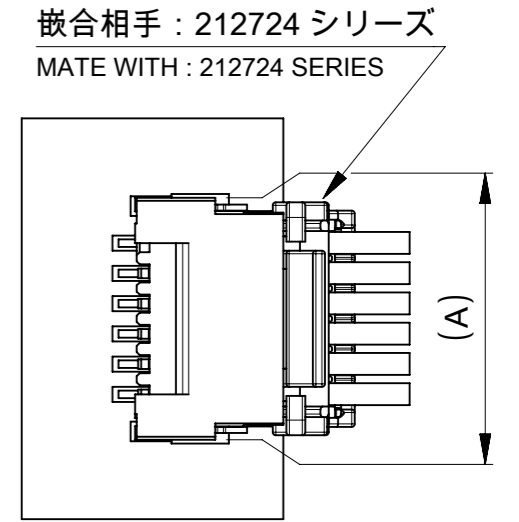
△ ISLタイプ嵌合図
MATED CONNECTOR OF ISL TYPE



1.0 MAX

HEADER CONNECTOR OUTLINE
FROM THE PCB EDGE.

△ ISLタイプ基板レイアウトの注意点
PCB LAYOUT PRECAUTIONS FOR ISL TYPE

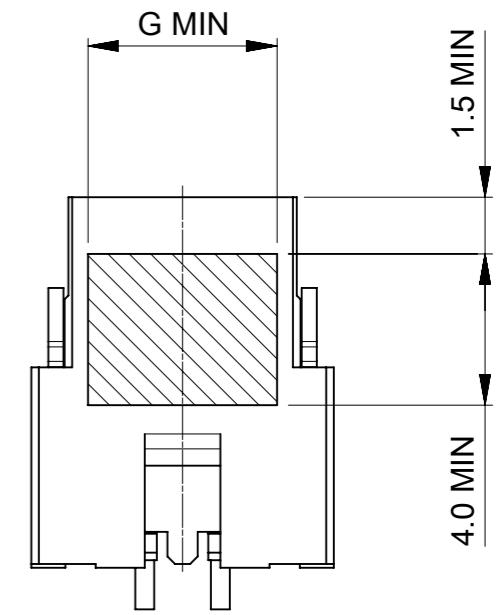
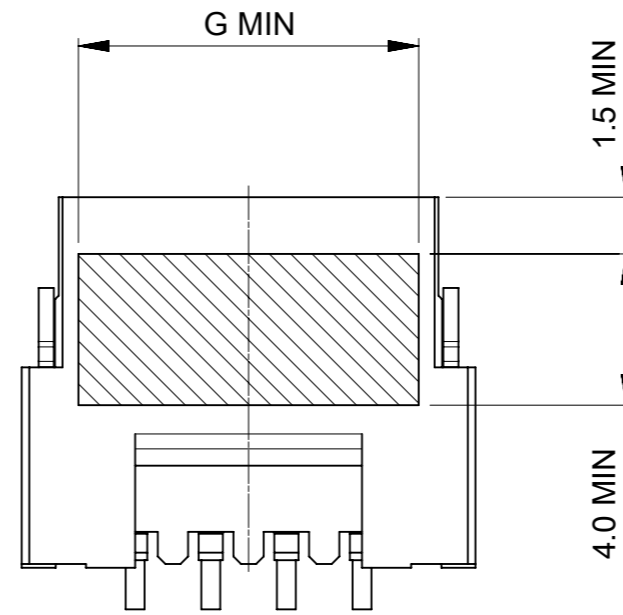
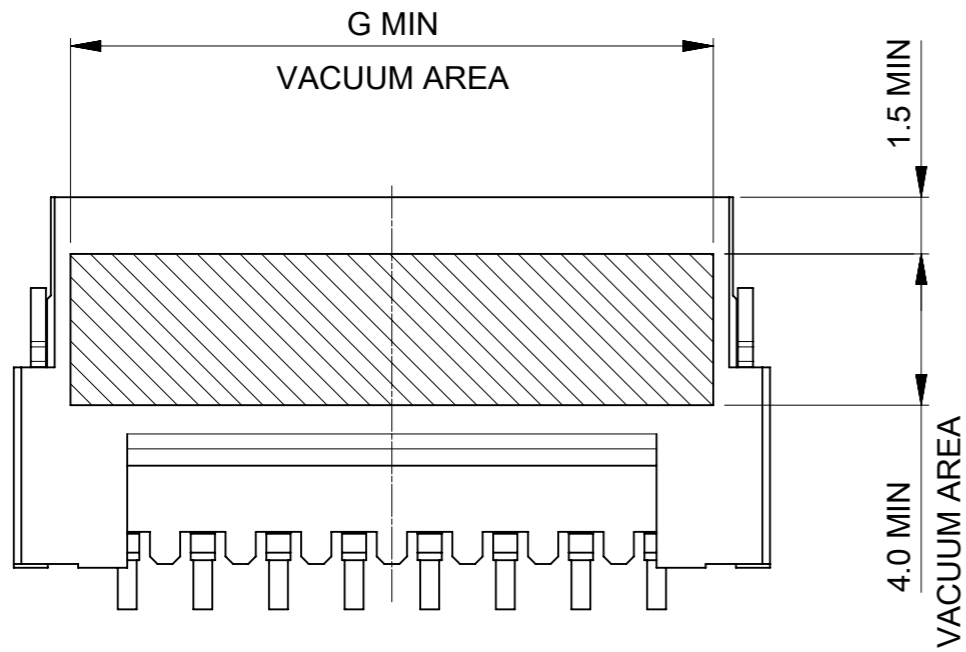


△ TPAタイプ嵌合図
MATED CONNECTOR OF TPA TYPE

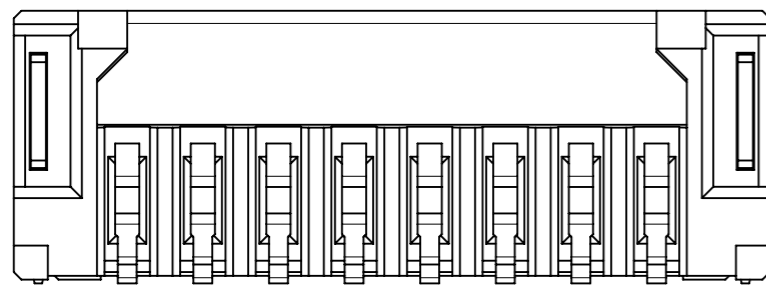
18.6	14.4	20.6	17.0	8
16.6	12.4	18.6	15.0	7
14.6	10.4	16.6	13.0	6
12.6	8.4	14.6	11.0	5
10.6	6.4	12.6	9.0	4
8.6	4.4	10.6	7.0	3
6.6	2.4	8.6	5.0	2
F	E	D	C	極数 CIRCUIT SIZE

THIS DRAWING CONTAINS INFORMATION THAT IS PROPRIETARY TO MOLEX ELECTRONIC TECHNOLOGIES, LLC AND SHOULD NOT BE USED WITHOUT WRITTEN PERMISSION									
DIMENSION UNITS		SCALE		CURRENT REV DESC:					
mm		NTS							
GENERAL TOLERANCES (UNLESS SPECIFIED)									
ANGULAR TOL ± 3.0 °									
4 PLACES		± 0.2		EC NO: 713005					
3 PLACES		± 0.2		DRWN: KYAMADA02		2022/07/05			
2 PLACES		± 0.2		CHK'D: AIDA		2022/07/06			
1 PLACE		± 0.2		APPR: SAKIYAMA		2022/07/06			
0 PLACES		± 0.2		INITIAL REVISION:					
DRAFT WHERE APPLICABLE MUST REMAIN WITHIN DIMENSIONS		THIRD ANGLE PROJECTION		DRAWING		SERIES		MATERIAL NUMBER	
		A3-SIZE		217064		2020/12/04		2020/12/15	
DOCUMENT STATUS		P1		RELEASE DATE		2022/07/06		06:59:21	
FORMAT: master-ib-prod-A3		REVISION: J		DATE: 2020/1/14		2170640000-SD		PSD 000 D	
DOCUMENT NUMBER		DOC TYPE		DOC PART		REVISION			
2170640000-SD		PSD		000		D			
CUSTOMER		GENERAL		SHEET NUMBER		2 OF 5			

VACUUM AREA

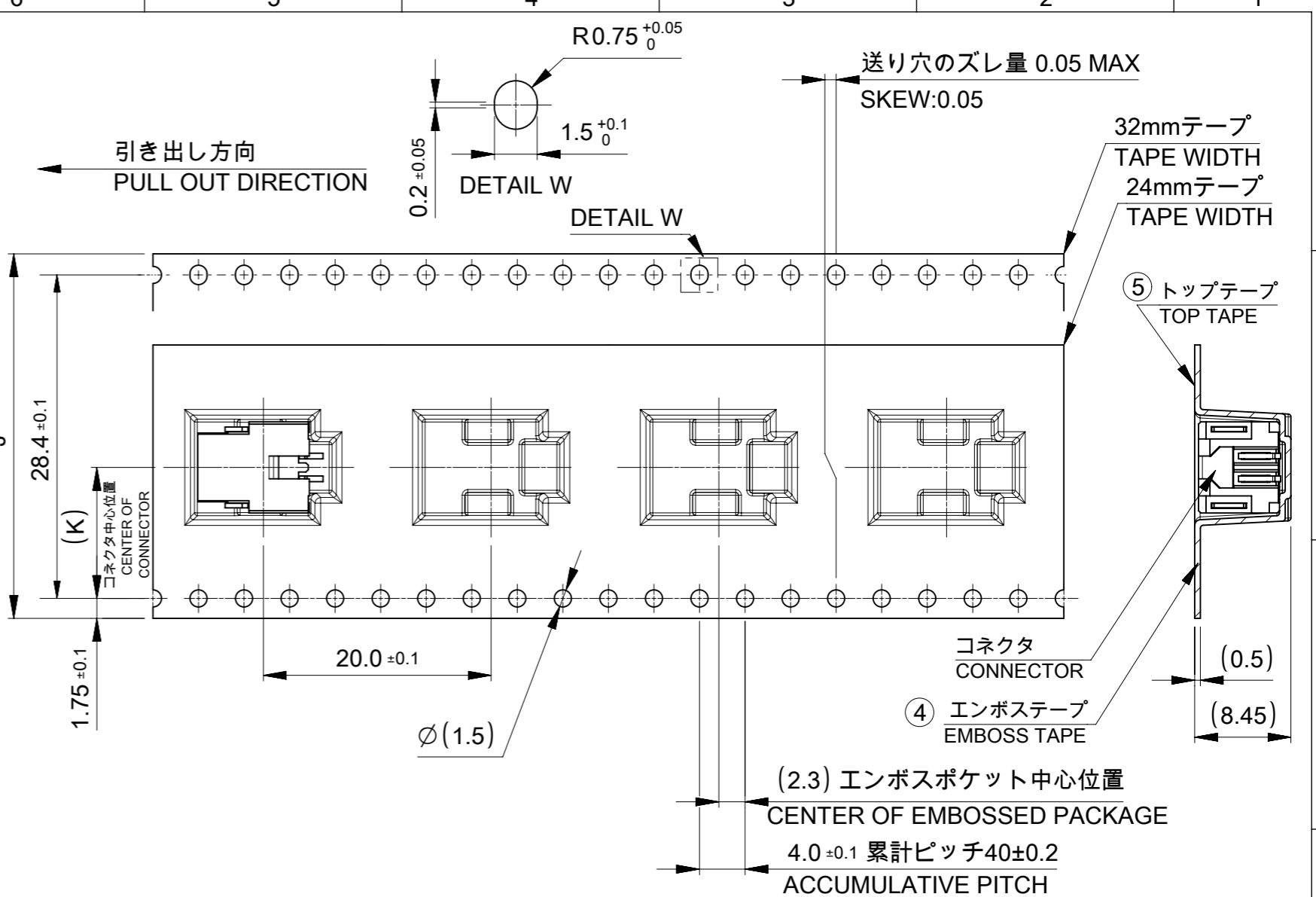
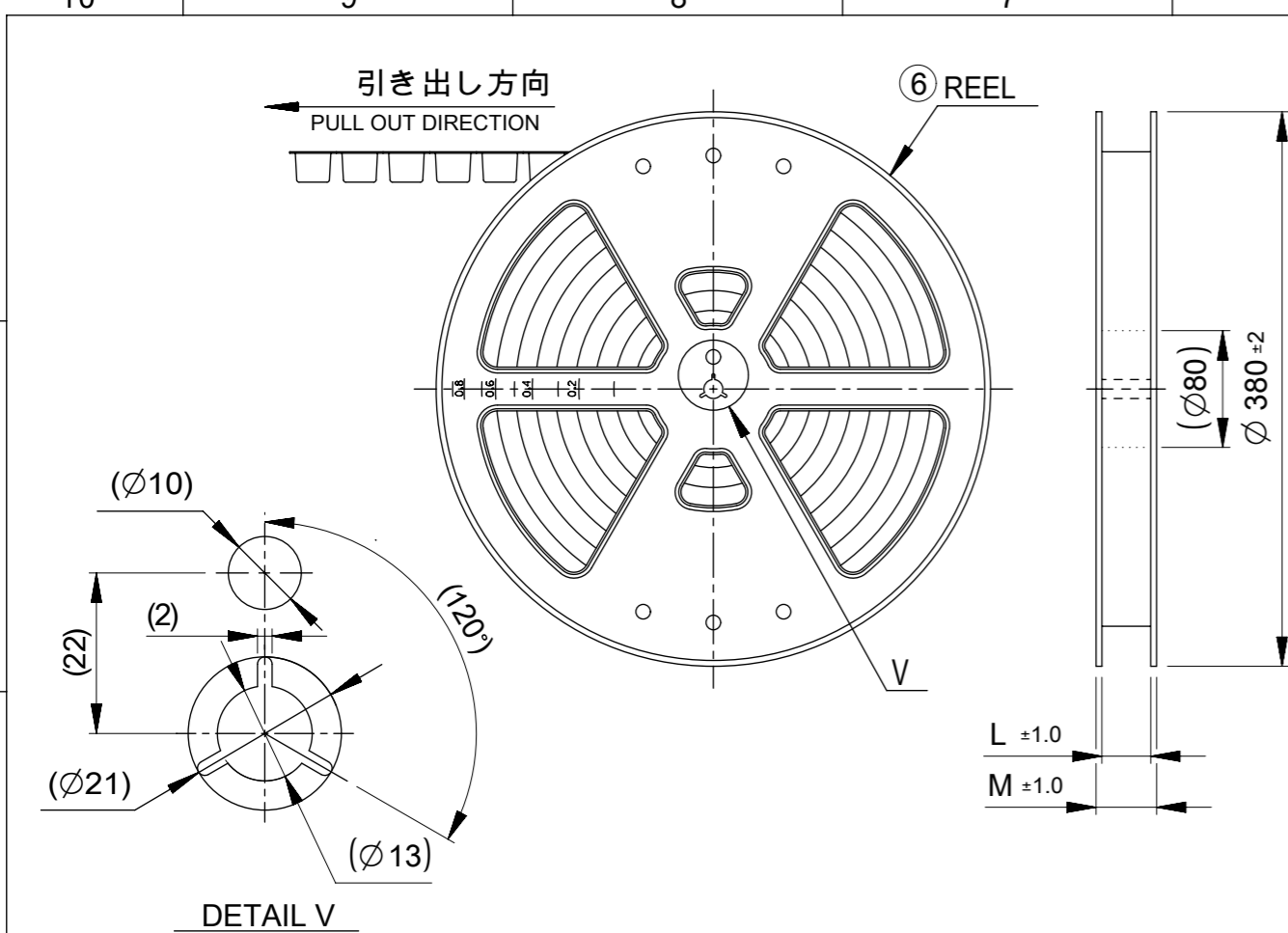


吸着面
VACUUM AREA



17.0	8
15.0	7
13.0	6
11.0	5
9.0	4
7.0	3
5.0	2
G	極数 CURCUIT SIZE

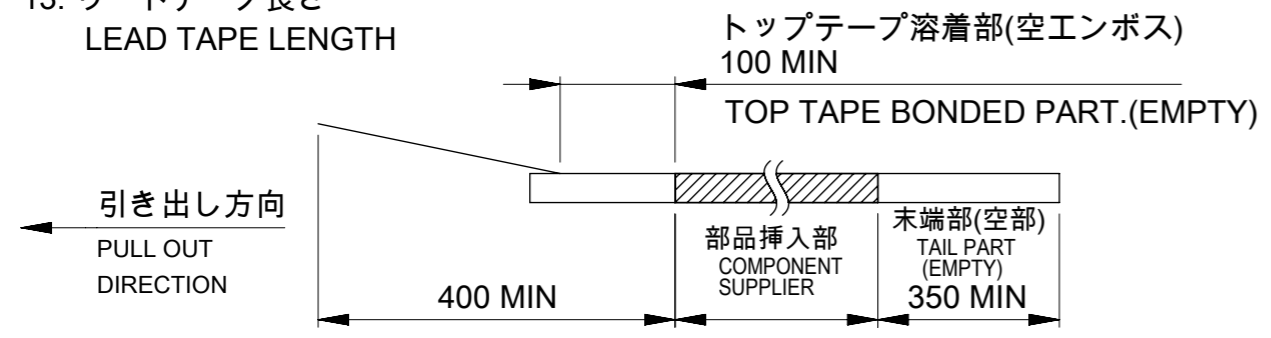
THIS DRAWING CONTAINS INFORMATION THAT IS PROPRIETARY TO MOLEX ELECTRONIC TECHNOLOGIES, LLC AND SHOULD NOT BE USED WITHOUT WRITTEN PERMISSION		CURRENT REV DESC:		molex	
DIMENSION UNITS	SCALE	EC NO: 713005			
mm	NTS	DRWN: KYAMADA02 2022/07/05		MICRO-ONE 2.0W/B GLOW WIRE TYPE HEADER ASSEMBLY RIGHT ANGLE	
GENERAL TOLERANCES (UNLESS SPECIFIED)		CHK'D: AIDA 2022/07/06		PRODUCT CUSTOMER DRAWING	
ANGULAR TOL ± 3.0 °		APPR: SAKIYAMA 2022/07/06		DOCUMENT NUMBER	
4 PLACES ± 0.2		INITIAL REVISION:		2170640000-SD	
3 PLACES ± 0.2		DRWN: KYAMADA02 2020/12/04		DOC TYPE	
2 PLACES ± 0.2		APPR: SAKIYAMA 2020/12/15		PSD	
1 PLACE ± 0.2		0 PLACES ± 0.2		DOC PART	
DRAFT WHERE APPLICABLE MUST REMAIN WITHIN DIMENSIONS		THIRD ANGLE PROJECTION		000	
		DRAWING		REVISION	
		A3-SIZE		D	
		SERIES		SHEET NUMBER	
		217064		3 OF 5	
		MATERIAL NUMBER		CUSTOMER	
		SEE TABLE		GENERAL	



NOTES

12. 梱包数量 : 550個/リール
 NUMBER OF CONNECTORS : 550 PIECES/REEL

13. リードテープ長さ
 LEAD TAPE LENGTH



14. トップテープの剥離強度はIEC60286-3に準拠。
 TOP TAPE PEELING FORCE IS DEFINED BY IEC60286-3.

△15 発注番号 : SHEET 5 参照
 ORDER No. : PLEASE REFER TO SHEET 5 FOR PRODUCT LIST.

217064 0 * * *

極数
CIRCUIT SIZE

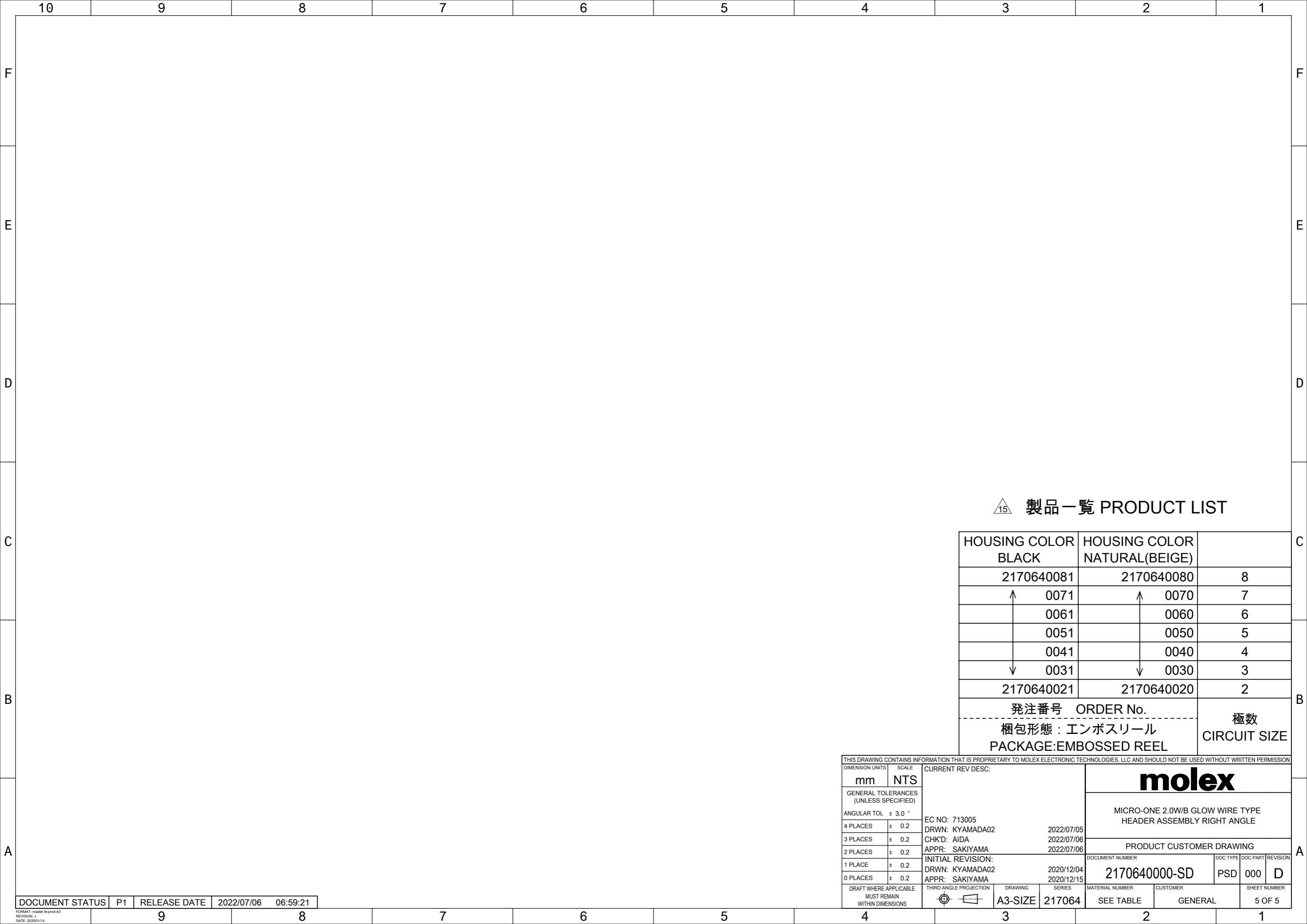
0 : COLOR NATURAL(BEIGE)
 1 : COLOR BLACK

37.5	33.5	14.2	32±0.3	8
				7
				6
29.5	25.5	11.5	24 ^{+0.3} _{-0.1}	5
				4
				3
				2
M	L	K	エンボステープ幅 J WIDTH OF TAPE	極数 CIRCUIT SIZE

番号 No.	部品 PART	材質 MATERIAL
④	エンボステープ EMBOSS TAPE	ポリスチレン(PS),その他 POLYSTYRENE(PS),etc
⑤	トップテープ TOP TAPE	ポリエチレン(PE),その他 POLYETHYLENE(PE),etc
⑥	リール REEL	ポリスチレン(PS) <リサイクル材を含む> POLYSTYRENE(PS) < RECYCLE MATERIAL CONTAINED >

THIS DRAWING CONTAINS INFORMATION THAT IS PROPRIETARY TO MOLEX ELECTRONIC TECHNOLOGIES, LLC AND SHOULD NOT BE USED WITHOUT WRITTEN PERMISSION

DIMENSION UNITS mm	SCALE NTS	CURRENT REV DESC:	
GENERAL TOLERANCES (UNLESS SPECIFIED)		molex	
ANGULAR TOL ± 3.0 °	4 PLACES ± 0.2	MICRO-ONE 2.0W/B GLOW WIRE TYPE HEADER ASSEMBLY RIGHT ANGLE	
3 PLACES ± 0.2	2 PLACES ± 0.2	PRODUCT CUSTOMER DRAWING	
1 PLACE ± 0.2	0 PLACES ± 0.2	DOCUMENT NUMBER 2170640000-SD	DOC TYPE PSD
DRAFT WHERE APPLICABLE MUST REMAIN WITHIN DIMENSIONS	THIRD ANGLE PROJECTION	CUSTOMER GENERAL	DOC PART 000
	DRAWING A3-SIZE	SERIES 217064	REVISION D
		MATERIAL NUMBER SEE TABLE	SHEET NUMBER 4 OF 5



△15 製品一覧 PRODUCT LIST

HOUSING COLOR BLACK	HOUSING COLOR NATURAL(BEIGE)	
2170640081	2170640080	8
↑ 0071	↑ 0070	7
0061	0060	6
0051	0050	5
0041	0040	4
↓ 0031	↓ 0030	3
2170640021	2170640020	2
発注番号 ORDER No.		極数 CIRCUIT SIZE
梱包形態：エンボスリール PACKAGE:EMBOSSED REEL		

THIS DRAWING CONTAINS INFORMATION THAT IS PROPRIETARY TO MOLEX ELECTRONIC TECHNOLOGIES, LLC AND SHOULD NOT BE USED WITHOUT WRITTEN PERMISSION										
DIMENSION UNITS	SCALE	CURRENT REV DESC:				molex				
mm	NTS									
GENERAL TOLERANCES (UNLESS SPECIFIED)						MICRO-ONE 2.0W/B GLOW WIRE TYPE HEADER ASSEMBLY RIGHT ANGLE				
ANGULAR TOL ± 3.0 °						PRODUCT CUSTOMER DRAWING				
4 PLACES	± 0.2	EC NO: 713005		2022/07/05		DOCUMENT NUMBER		DOC TYPE	DOC PART	REVISION
3 PLACES	± 0.2	DRWN: KYAMADA02		2022/07/06		2170640000-SD		PSD	000	D
2 PLACES	± 0.2	CHK'D: AIDA		2022/07/06						
1 PLACE	± 0.2	APPR: SAKIYAMA		2022/07/06						
0 PLACES	± 0.2	INITIAL REVISION:								
		DRWN: KYAMADA02		2020/12/04						
		APPR: SAKIYAMA		2020/12/15						
DRAFT WHERE APPLICABLE MUST REMAIN WITHIN DIMENSIONS		THIRD ANGLE PROJECTION	DRAWING	SERIES	MATERIAL NUMBER	CUSTOMER		SHEET NUMBER		
			A3-SIZE	217064	SEE TABLE	GENERAL		5 OF 5		

DOCUMENT STATUS	P1	RELEASE DATE	2022/07/06	06:59:21
-----------------	----	--------------	------------	----------