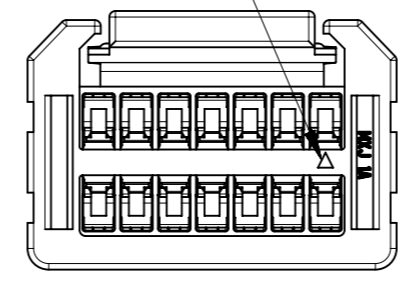


回路番号 1 マーク (8-14極用)
CIRCUIT 1 MARK
(FOR 8-14 CIRCUIT)

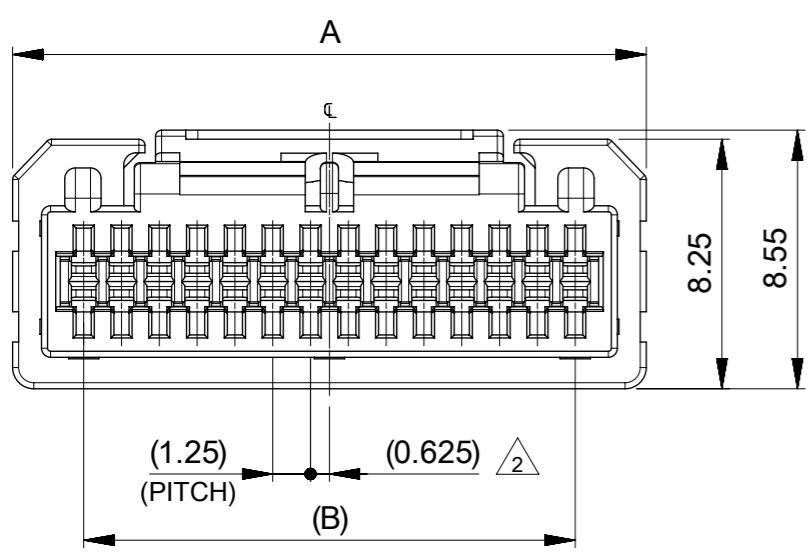


- 注記:
NOTES:
- ① 材質 : TABLE 1参照
MATERIAL : SEE TABLE 1
 - ② 極数 / 2 = 偶数に適用。
APPLY FOR CIRCUIT SIZE / 2 = EVEN
 - ③ 製品仕様書、コネクタ取扱説明書、適用嵌合相手、適用端子は SHEET 2をご参照ください。
PLEASE REFER TO SHEET 2 FOR PRODUCT SPECIFICATION, APPLICATION SPECIFICATION, MATE WITH AND APPLICABLE TERMINAL.
 - ④ オーダー番号 : ORDER NO.

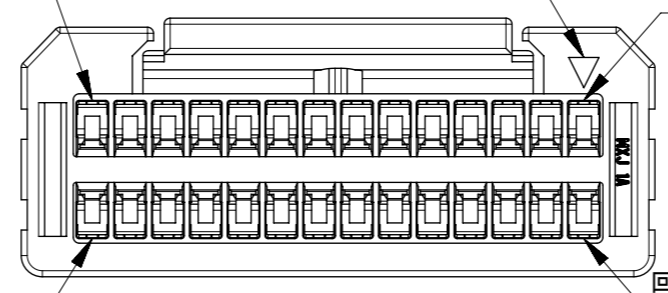
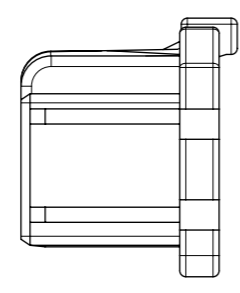
204523**0*

極数
CIRCUIT SIZE

番号 NO.	ハウジング色 HOUSING COLOR
0	ナチュラル (白) NATURAL (WHITE)
1	黒 BLACK



回路番号 1 マーク (26-42極用)
CIRCUIT 1 MARK
(FOR 26-42 CIRCUIT)

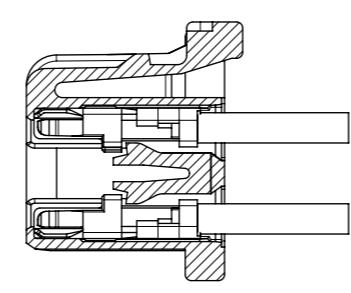
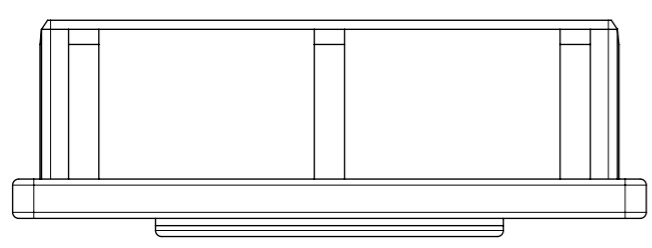


回路番号 N-1
CIRCUIT N-1

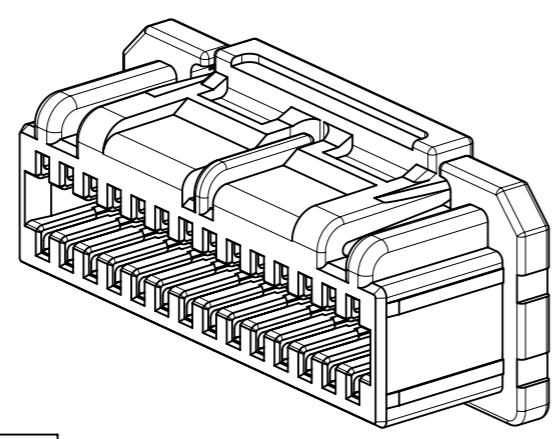
回路番号 N
CIRCUIT N

回路番号 1
CIRCUIT 1

回路番号 2
CIRCUIT 2



ターミナル装着図
TERMINAL ASSEMBLY DRAWING



25	29.7	42
23.75	28.45	40
22.5	27.2	38
21.25	25.95	36
20	24.7	34
18.75	23.45	32
17.5	22.2	30
16.25	20.95	28
15	19.7	26
7.5	12.2	14
6.25	10.95	12
5	9.7	10
3.75	8.45	8
B	A	極数 CIRCUIT SIZE

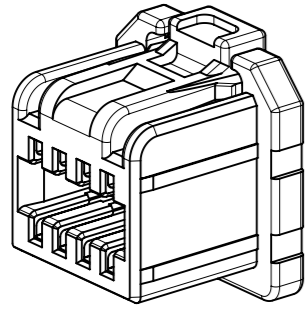
① TABLE 1

部品 PART	材質 MATERIAL
ハウジング HOUSING	ポリエステル(PBT) UL94V-0 色 : 表参照 POLYESTER(PBT) UL94V-0 COLOR:SEE CHART
DOCUMENT STATUS	P1 RELEASE DATE 2020/01/16 08:56:40

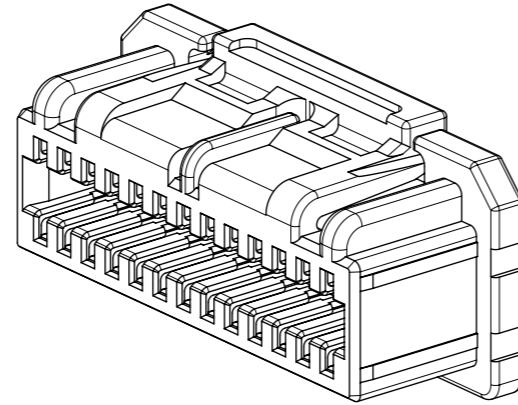
THIS DRAWING CONTAINS INFORMATION THAT IS PROPRIETARY TO MOLEX ELECTRONIC TECHNOLOGIES, LLC AND SHOULD NOT BE USED WITHOUT WRITTEN PERMISSION

DIMENSION UNITS	SCALE	CURRENT REV DESC: RELEASED		
mm	NTS	<p>MICRO-LOCK PLUS 1.25W/B DUAL ROW RECEPTACLE HOUSING LOW HALOGEN</p> <p>PRODUCT CUSTOMER DRAWING</p>		
GENERAL TOLERANCES (UNLESS SPECIFIED)				
ANGULAR TOL	± 3.0 °			
4 PLACES	± 0.2			
3 PLACES	± 0.2			
2 PLACES	± 0.2	EC NO: 627644	2019/06/12	DOCUMENT NUMBER 2045230002-SD
1 PLACE	± 0.2	DRWN: TENAGASE	2020/01/16	
0 PLACES	± 0.2	CHK'D: SAKIYAMA	2020/01/16	DOC PART 000
DRAFT WHERE APPLICABLE MUST REMAIN WITHIN DIMENSIONS		APPR: KOMURAKAMI	2020/01/16	REVISION B
THIRD ANGLE PROJECTION		INITIAL REVISION:	2017/10/13	SHEET NUMBER 1 OF 2
DRAWING		DRWN: RWATANABE01	2017/10/27	
SERIES		APPR: TKANEKO		
MATERIAL NUMBER		A3-SIZE	204523	
CUSTOMER		SEE SHEET 2	GENERAL	

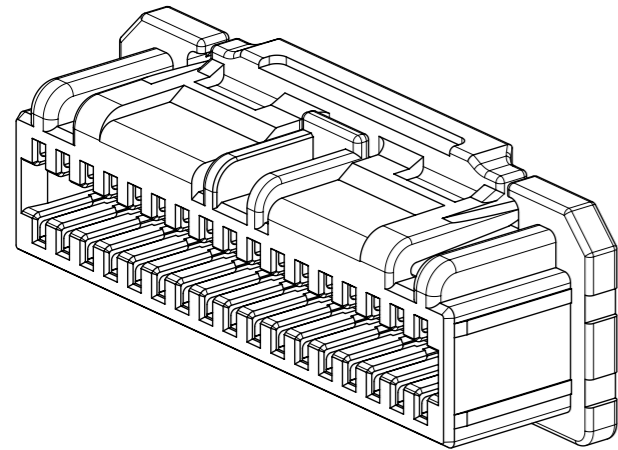
製品形状
PRODUCT SHAPE



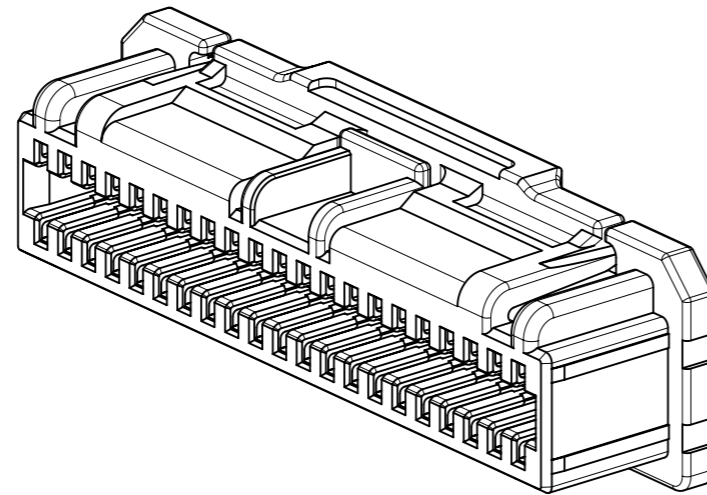
8-14極
8-14 CIRCUIT



26-32極
26-32 CIRCUIT



34-40極
34-40 CIRCUIT



42極
42 CIRCUIT

△ 3 適用製品及び各種仕様書 APPLICABLE PRODUCTS AND VARIOUS SPECIFICATIONS

梱包仕様書 PACKAGING SPECIFICATION	製品番号 PART NUMBER	仕様書番号 SPECIFICATION NUMBER	
	204523**0*	2045239200SPK PS 200	
適用端子 APPLICABLE TERMINAL	製品番号 PART NUMBER	めっきタイプ PLATING TYPE	電線サイズ WIRE SIZE(AWG)
	5054311000	TIN	#26-30
適用嵌合相手 MATE WITH	TIN PLATING		
	RIGHT ANGLE	VERTICAL FOR POTTING	
シリーズ番号 SERIES NO.	204519**7* (26-42 CIRCUIT)	207760**** (8-14 CIRCUIT)	
製品仕様書 PRODUCT SPECIFICATION	2045230000-PS PS 000	2045230001-PS PS 000	
コネクタ取扱説明書 APPLICATION SPECIFICATION	AS-505432-001 PS 001		

△ 4 204523**0* オーダー番号一覧 ORDER NO. LIST

COMPLIANT		LOW HALOGEN
黒 BLACK	ナチュラル(白) NATURAL (WHITE)	HOUSING COLOR
2045234201	2045234200	42
2045234001	2045234000	40
2045233801	2045233800	38
2045233601	2045233600	36
2045233401	2045233400	34
2045233201	2045233200	32
2045233001	2045233000	30
2045232801	2045232800	28
2045232601	2045232600	26
2045231401	2045231400	14
2045231201	2045231200	12
2045231001	2045231000	10
2045230801	2045230800	8
オーダー番号 ORDER NO.		極数 CIRCUIT SIZE
梱包形態：ポリ袋 PACKAGING：POLYBAG PACKAGE		

THIS DRAWING CONTAINS INFORMATION THAT IS PROPRIETARY TO MOLEX ELECTRONIC TECHNOLOGIES, LLC AND SHOULD NOT BE USED WITHOUT WRITTEN PERMISSION									
DIMENSION UNITS	SCALE	CURRENT REV DESC: RELEASED							
mm	NTS	<p>MICRO-LOCK PLUS 1.25W/B DUAL ROW RECEPTACLE HOUSING LOW HALOGEN</p>							
GENERAL TOLERANCES (UNLESS SPECIFIED)									
ANGULAR TOL	± 3.0°	PRODUCT CUSTOMER DRAWING							
4 PLACES	± 0.2	DOCUMENT NUMBER							
3 PLACES	± 0.2	2045230002-SD							
2 PLACES	± 0.2	DOC TYPE							
1 PLACE	± 0.2	PSD							
0 PLACES	± 0.2	DOC PART							
DRAFT WHERE APPLICABLE MUST REMAIN WITHIN DIMENSIONS		THIRD ANGLE PROJECTION		DRAWING	SERIES	MATERIAL NUMBER	CUSTOMER	REVISION	
				A3-SIZE	204523	SEE CHART	GENERAL	000	B
								SHEET NUMBER	
								2 OF 2	