

MATERIAL NO.	ENGINEERING NO.	FINISHED LENGTH
1300060219	103000A01F0302	3 FT. (0.91 M)
1300060256	103000A01F4002	40 FT. (12.19 M)
1300062250	103000A01F8002	80 FT. (24.38 M)

**CABLE LENGTH TOLERANCES**

<.3M [1FT]: +19mm-0 [ +.75in-0]

.3 - .9M [1 - 3FT]: +44.5mm-0 [+1.75in-0]

.9 - 1.8M [3 - 6FT]: +55.6mm-0 [+2.19in-0]

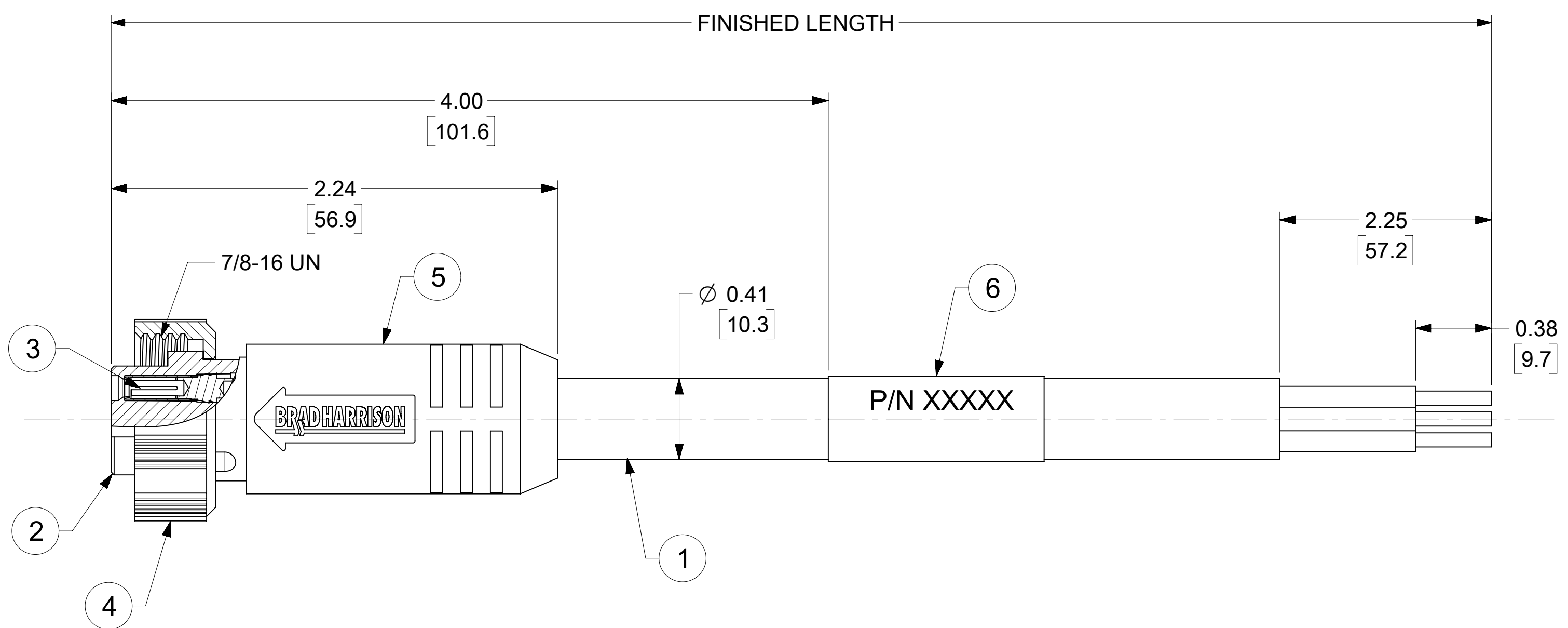
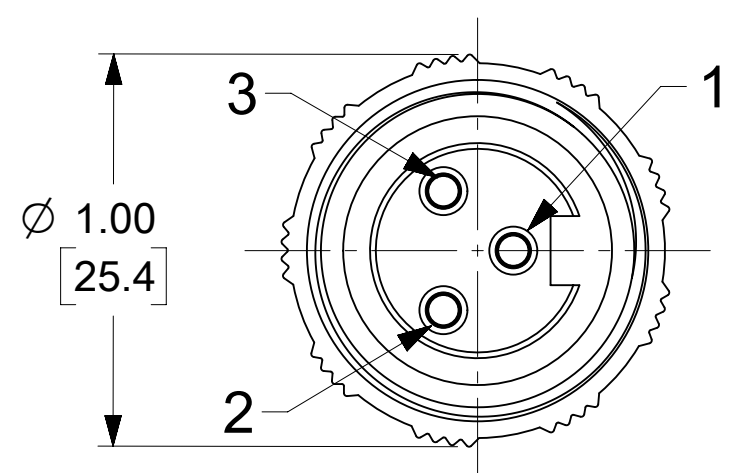
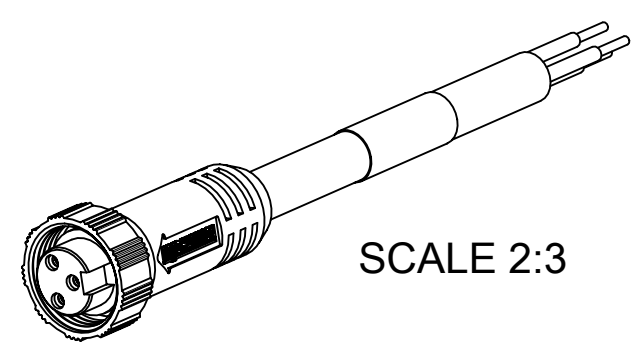
1.8 - 3.7M [6 - 12FT]: +88.9mm-0 [+3.50in-0]

3.7 - 7.3M [12 - 24FT]: +165.1mm-0 [+6.50in-0]

7.3-14.6M [24 - 48FT]: +317.5mm-0 [+12.50in-0]

14.6 - 30.5M [48-100FT]: +622.3mm-0 [+24.50in-0]

OVER 30M [100FT] +2% OF FINISHED LENGTH



- NOTES:**
- MATERIAL: AS NOTED
  - FINISH: AS NOTED
  - ELECTRICAL:
    - VOLTAGE: 500V PER IEC60664 (B)
    - 600V PER UL2238
    - CURRENT: 13A
  - TEMP RATING: -20°C TO +105°C (B)
  - PROTECTION: IP67 (WHEN MATED)
  - CSA CERTIFIED FILE: LR6837 (B)
  - UL RECOGNIZED FILE: E152210
  - ASSEMBLY IS ROHS COMPLIANT
  - ALL DIMS ARE FOR REFERENCE UNLESS TOLERANCED OR NOTED OTHERWISE

**WIRING DIAGRAM**

1	GREEN/YELLOW
2	BLACK
3	WHITE

**PART NUMBER MATRIX (B)**

103000A01F0602

FINISHED LENGTH  
 F001= .1 FT  
 F020= 2 FT  
 F200= 20 FT

ITEM	DESCRIPTION	MATERIAL	FINISH
6	WRAP LABEL	VINYL	BLACK/YELLOW
5	OVERMOLD	TPE	YELLOW
4	COUPLING NUT	NYLON	GRAY
3	SOCKET CONTACT	Cu ALLOY	GOLD OVER NICKEL
2	FEMALE INSERT	TPE	YELLOW
1	#16-3 YELLOW STOOV/ST	PVC JACKET	YELLOW

FUNCTIONAL SYMBOLS	THIS DRAWING CONTAINS INFORMATION THAT IS PROPRIETARY TO MOLEX ELECTRONIC TECHNOLOGIES, LLC AND SHOULD NOT BE USED WITHOUT WRITTEN PERMISSION			
	FA = 0	INCH/MM	SCALE	2:1
	FC = 0	GENERAL TOLERANCES (UNLESS SPECIFIED)		
	FP = 0	4 PLACES	±	±
DIVISIONAL SYMBOLS	CURRENT REV DESC: UPDATED ITEM #2, 5 & DIA. ADDED CSA, UL, IEC VOLT & TEMP, TOL. CHART & PART NO. MATRIX. MODIFIED PN CHART		EC NO: 673727	
	DRWN: VHANDI		2021/05/21	
	CHK'D: RSTONE		2021/08/25	
	APPR: BWOODMAN		2021/08/27	
INITIAL REVISION:		DRWN: RSTONE		
DRWN: RSTONE		2012/11/28		
APPR: JFMURPHY		2013/03/01		
ANGULAR TOL ± 2.0 °		THIRD ANGLE PROJECTION		
DRAFT WHERE APPLICABLE MUST REMAIN WITHIN DIMENSIONS		DRAWING	SERIES	C-SIZE 130006

**molex**

MINI-CHANGE CORDSET, A SIZE, 3 POLE FEMALE, STRAIGHT, SINGLE KEY, 16 AWG

PRODUCT CUSTOMER DRAWING

DOCUMENT NUMBER: SD-130006-047

DOC TYPE: PSD

DOC PART: 001

REVISION: B

MATERIAL NUMBER: SEE TABLE

CUSTOMER: GENERAL MARKET

SHEET NUMBER: 1 OF 1