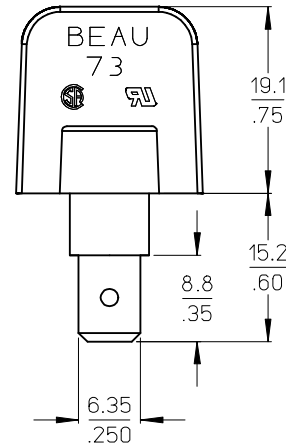
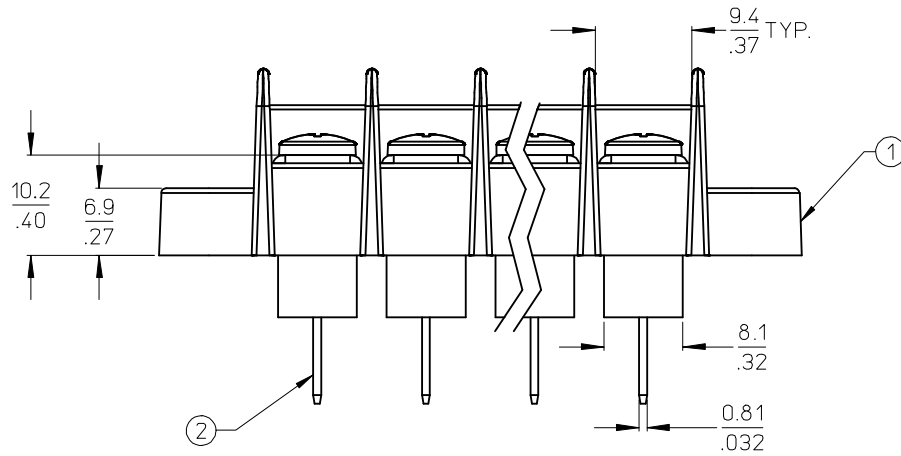


AUX. VIEW  
SCALE 1:1  
4 CIRCUIT SHOWN



NOTES:

1. MATERIAL: SEE TABLE.
2. FINISHES: SEE TABLE.
3. PRODUCT SPECIFICATION: NOT REQUIRED.
4. "XX" REFERS TO THE QUANTITY OF CIRCUITS.
5. ROHS COMPLIANT.

ITEM	QTY.	DESCRIPTION	MATERIAL	FINISH
4	XX	SCREW AND WASHER, #6-32, PAN HEAD (-50 OPT)	STEEL	ZN, CLEAR CHROMATE
3	XX	SCREW, #6-32, BIND. HEAD (STD OPT)	STEEL	ZN, CLEAR CHROMATE
2	XX	TERMINAL, QUICK CONNECT	BRASS	TIN PLATE
1	1	CS INSULATOR, SINGLE ROW	POLYESTER (PBT)	BLACK

INITIAL RELEASE  
EC NO: WNA2009-0148  
DRAWN: JENC INAS 2008/09/01  
CHKD: CYORK 2008/09/09  
APPR: JMACNEIL 2008/09/10

QUALITY SYMBOLS  
▽=0  
▽/0

	GENERAL TOLERANCES (UNLESS SPECIFIED)	
	mm	INCH
4 PLACES	± ---	± ---
3 PLACES	± ---	± .005
2 PLACES	± 0.13	± .01
1 PLACE	± 0.3	± ---
ANGULAR ± 2 °		

DIMENSION STYLE  
**MM/IN**

DRAWN BY: JENC INAS  
DATE: 2008/08/27

CHECKED BY: CYORK  
DATE: 2008/08/28

APPROVED BY: JMACNEIL  
DATE: 2008/08/29

MATERIAL NO.

SCALE: 2:1

DESIGN UNITS: INCH

THIRD ANGLE PROJECTION

TITLE: 11.11MM [.438] SR BTS, CS FAST TAB ASY

MOLEX INCORPORATED

DOCUMENT NO. SD-38735-005

SHEET NO. 1 OF 2

DRAFT WHERE APPLICABLE MUST REMAIN WITHIN DIMENSIONS

SEE SHEET 2

THIS DRAWING CONTAINS INFORMATION THAT IS PROPRIETARY TO MOLEX INCORPORATED AND SHOULD NOT BE USED WITHOUT WRITTEN PERMISSION

NO. OF CIRCUITS "XX"	DIM. "A"		DIM. "B"		DIM. "C"		DIM. "D"		ASSEMBLY MATERIAL NO. (STD OPTION)	ASSEMBLY MATERIAL NO. (-50 OPTION)
	mm	INCH	mm	INCH	mm	INCH	mm	INCH		
2	43.5	1.71	11.11	0.438	33.34	1.313	24.5	0.97	387351002	387351402
3	54.6	2.15	22.23	0.875	44.45	1.750	35.7	1.40	387351003	387351403
4	65.7	2.59	33.34	1.313	55.56	2.188	46.8	1.84	387351004	387351404
5	76.8	3.03	44.45	1.750	66.68	2.625	57.9	2.28	387351005	387351405
6	87.9	3.46	55.56	2.188	77.79	3.063	69.0	2.72	387351006	387351406
7	99.1	3.90	66.68	2.625	88.90	3.500	80.1	3.15	387351007	387351407
8	110.2	4.34	77.79	3.063	100.01	3.938	91.2	3.59	387351008	387351408
9	121.3	4.78	88.90	3.500	111.13	4.375	102.3	4.03	387351009	387351409
10	132.4	5.21	100.01	3.938	122.24	4.813	113.4	4.47	387351010	387351410
11	143.5	5.65	111.13	4.375	133.35	5.250	124.6	4.90	387351011	387351411
12	154.6	6.09	122.24	4.813	144.46	5.688	135.7	5.34	387351012	387351412
13	165.7	6.53	133.35	5.250	155.58	6.125	146.8	5.78	387351013	387351413
14	176.8	6.96	144.46	5.688	166.69	6.563	157.9	6.22	387351014	387351414
15	188.0	7.40	155.58	6.125	177.80	7.000	169.0	6.65	387351015	387351415
16	199.1	7.84	166.69	6.563	188.91	7.438	180.1	7.09	387351016	387351416
17	210.2	8.28	177.80	7.000	200.03	7.875	191.2	7.53	387351017	387351417
18	221.3	8.71	188.91	7.438	211.14	8.313	202.3	7.97	387351018	387351418
19	232.4	9.15	200.03	7.875	222.25	8.750	213.5	8.40	387351019	387351419
20	243.5	9.59	211.14	8.313	233.36	9.188	224.6	8.84	387351020	387351420
21	254.6	10.03	222.25	8.750	244.48	9.625	235.7	9.28	387351021	387351421
22	265.7	10.46	233.36	9.188	255.59	10.063	246.8	9.72	387351022	387351422
23	276.9	10.90	244.48	9.625	266.70	10.500	257.9	10.15	387351023	387351423
24	288.0	11.34	255.59	10.063	277.81	10.938	269.0	10.59	387351024	387351424
25	299.1	11.78	266.70	10.500	288.93	11.375	280.1	11.03	387351025	387351425
26	310.2	12.21	277.81	10.938	300.04	11.813	291.2	11.47	387351026	387351426
27	321.3	12.65	288.93	11.375	311.15	12.250	302.4	11.90	387351027	387351427
28	332.4	13.09	300.04	11.813	322.26	12.688	313.5	12.34	387351028	387351428
29	343.5	13.53	311.15	12.250	333.38	13.125	324.6	12.78	387351029	387351429
30	354.6	13.96	322.26	12.688	344.49	13.563	335.7	13.22	387351030	387351430

SEE SHEET ONE EC NO: WNA2009-0148 DRAWN: JENC INAS 2008/09/01 CHKD: CYORK 2008/09/09 APPR: JMACNEIL 2008/09/10	QUALITY SYMBOLS ▽=0 ▽=0	GENERAL TOLERANCES (UNLESS SPECIFIED)		DIMENSION STYLE MM/IN		SCALE 2:1	DESIGN UNITS INCH	THIRD ANGLE PROJECTION	
		4 PLACES ± --- ± ---	3 PLACES ± --- ± .005	DRAWN BY JENC INAS	DATE 2008/08/27	TITLE 11.11MM [.438] SR BTS, CS FAST TAB ASY			
		2 PLACES ± 0.13 ± .01	1 PLACE ± 0.3 ± ---	CHECKED BY CYORK	DATE 2008/08/28				
		ANGULAR ± 2 °		APPROVED BY JMACNEIL	DATE 2008/08/29	MOLEX INCORPORATED			
DRAFT WHERE APPLICABLE MUST REMAIN WITHIN DIMENSIONS		MATERIAL NO. SEE CHART	DOCUMENT NO. SD-38735-005	SHEET NO. 2 OF 2					