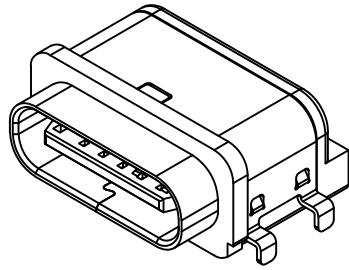


Recommended PCB Layout
 Thickness 0.80±0.10mm
 Tolerance: ±0.05mm
 Solder Area Component Outline

Pin	Signal	Mating Sequence
A5	CC1	Second
A9	Vbus	First
A12	GND	First
B5	CC2	Second
B9	Vbus	First
B12	GND	First
SHELL	GND	



Specifications

Material
 Insulator: LCP, UL 94V-0, Black
 Contact: Copper Alloy
 Shell: Stainless Steel
 Shielding Plate: Stainless Steel
 Gasket: Silicone Rubber

Plating

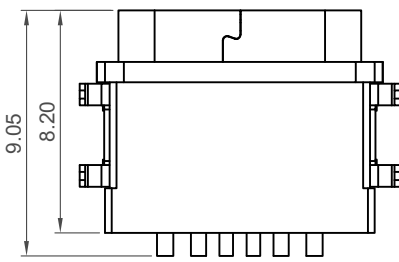
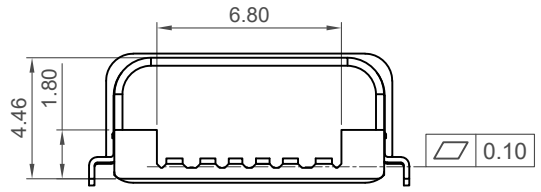
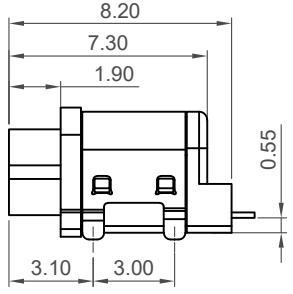
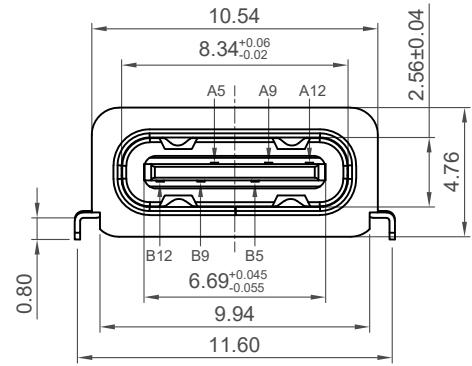
Contact
 Contact Area: Gold Flash
 Solder Tails: Tin over Nickel
Shell: Nickel
Shielding Plate: Nickel

Electrical

Current Rating: 3.00A collectively for Vbus pins
 4.25A collectively for GND pins
 1.25A for A5/B5 pin
Voltage Rating: 20V DC
Contact Resistance: 40mΩ max initial.
 50mΩ max after test
Dielectric Withstanding Voltage: 100V AC
Insulation Resistance: 100MΩ min

Mechanical & Environmental

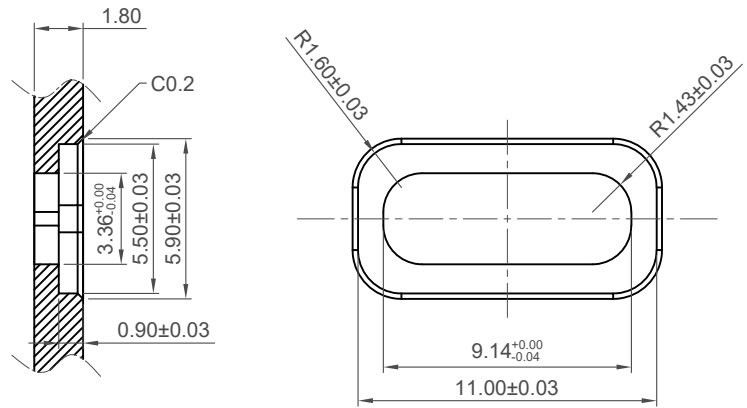
Operating Temperature: -30°C to +85°C
Mating Force: 5 to 20 N.
Unmated Force: 6 to 20 N after test
Durability: 10,000 cycles
Ingress Protection Rating: IP67



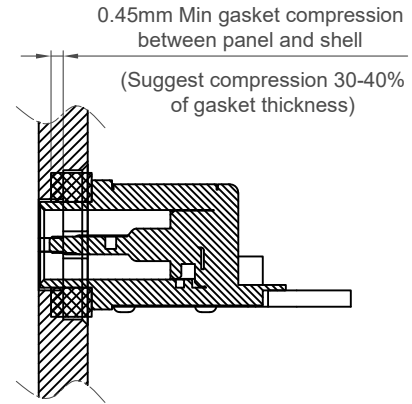
Ordering Grid
USB4715 - **GF** - **A** Request Samples and Quotation
Contact Plating: GF = Gold Flash
Packing Options: A = Tape & Reel (700 per reel)

Part Number USB4715		Product Description Type C Receptacle, Horizontal, Mid-Mount, SMT, IP67, For Power Charging Only, 6 Pin	
Drawing Date 4th July 2022			
By	CC	Tolerances (Except as Noted)	Units:
Detail	Drawing Release	Length X.X ± 0.30	Metric (mm)
Revision	A	Angle X.XX ± 0.25	
Date	04/07/22	X.XXX ± 0.10	
		3rd Angle Projection	
		RoHS COMPLIANT 2011/65/EC	
		This drawing is confidential and copyright of Global Connector Technology, Ltd (GCT). This drawing must not be copied or disclosed without written consent. E & OE	
Not to Scale	Drawn By CC	Sheet No. 1/4	

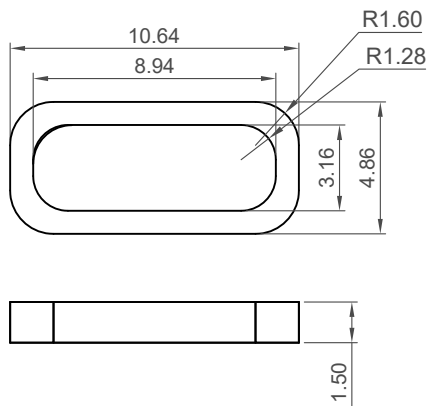




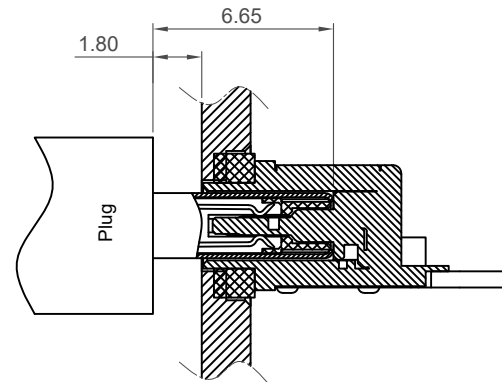
Recommended Panel Spec



(Suggest compression 30-40% of gasket thickness)



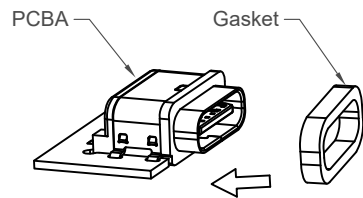
Recommended Waterproof Gasket
Gasket Part No.: USBTJ-04
(Gasket must be ordered separately)
(See separate datasheet for specification)



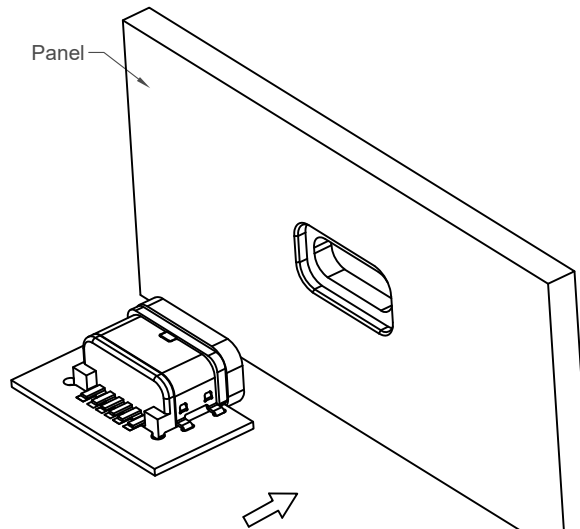
Plug and Receptacle Mating View

Part Number		Product Description	
USB4715		Type C Receptacle, Horizontal, Mid-Mount, SMT, IP67, For Power Charging Only, 6 Pin	
Drawing Date		4th July 2022	
By	CC	Tolerances (Except as Noted)	Units:
Detail	Drawing Release	Length X.X ± 0.30	Metric (mm)
Revision	A	Angle X.XX ± 0.25	
Date	04/07/22	X.XXX ± 0.10	
		This drawing is confidential and copyright of Global Connector Technology, Ltd (GCT). This drawing must not be copied or disclosed without written consent. E & OE	
Not to Scale	Drawn By	CC	Sheet No.
			2/4

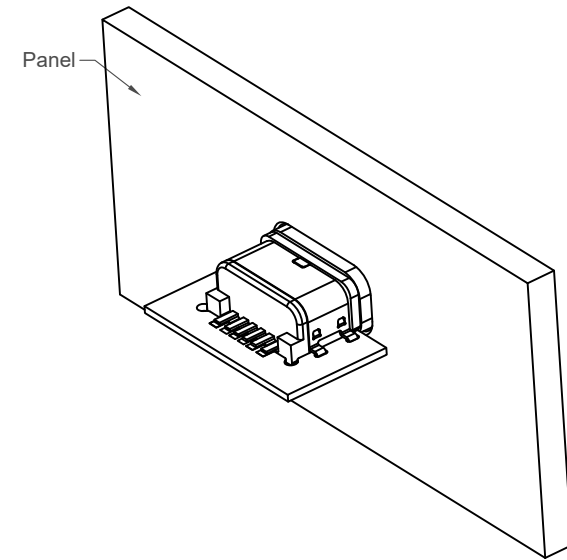




Step 1






Step 2

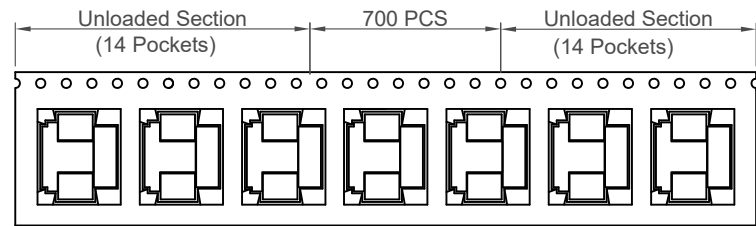


Step 3

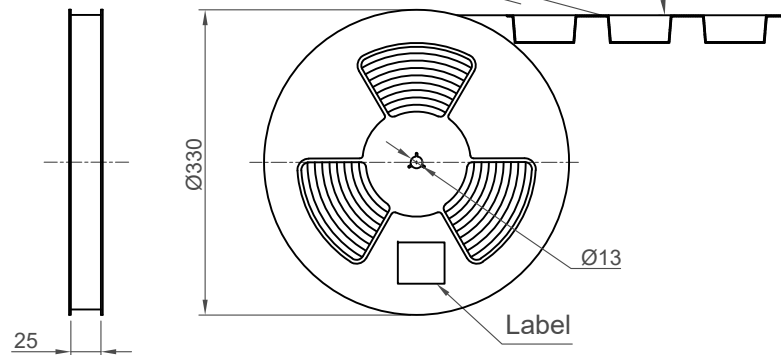
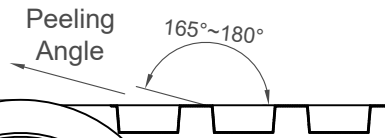
Assembly instruction for Gasket set after Reflow
Available for Type C Receptacle Waterproof Series

Part Number		Product Description	
USB4715		Type C Receptacle, Horizontal, Mid-Mount, SMT, IP67, For Power Charging Only, 6 Pin	
Drawing Date		4th July 2022	
By	CC	Tolerances (Except as Noted)	Units:
Detail	Drawing Release	Length X.X ± 0.30	Metric (mm)
Revision	A	Angle X.XX ± 0.25	 3rd Angle Projection
Date	04/07/22	X.XXX ± 0.10	
		 RoHS COMPLIANT 2011/65/EU	
		 This drawing is confidential and copyright of Global Connector Technology, Ltd (GCT). This drawing must not be copied or disclosed without written consent. E & OE	
Not to Scale	Drawn By	Sheet No.	
	CC	3/4	

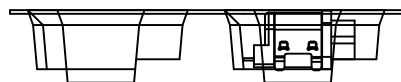
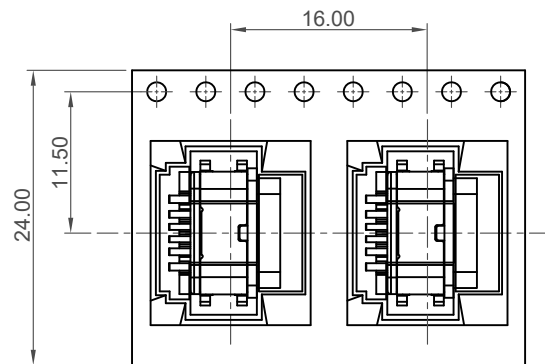




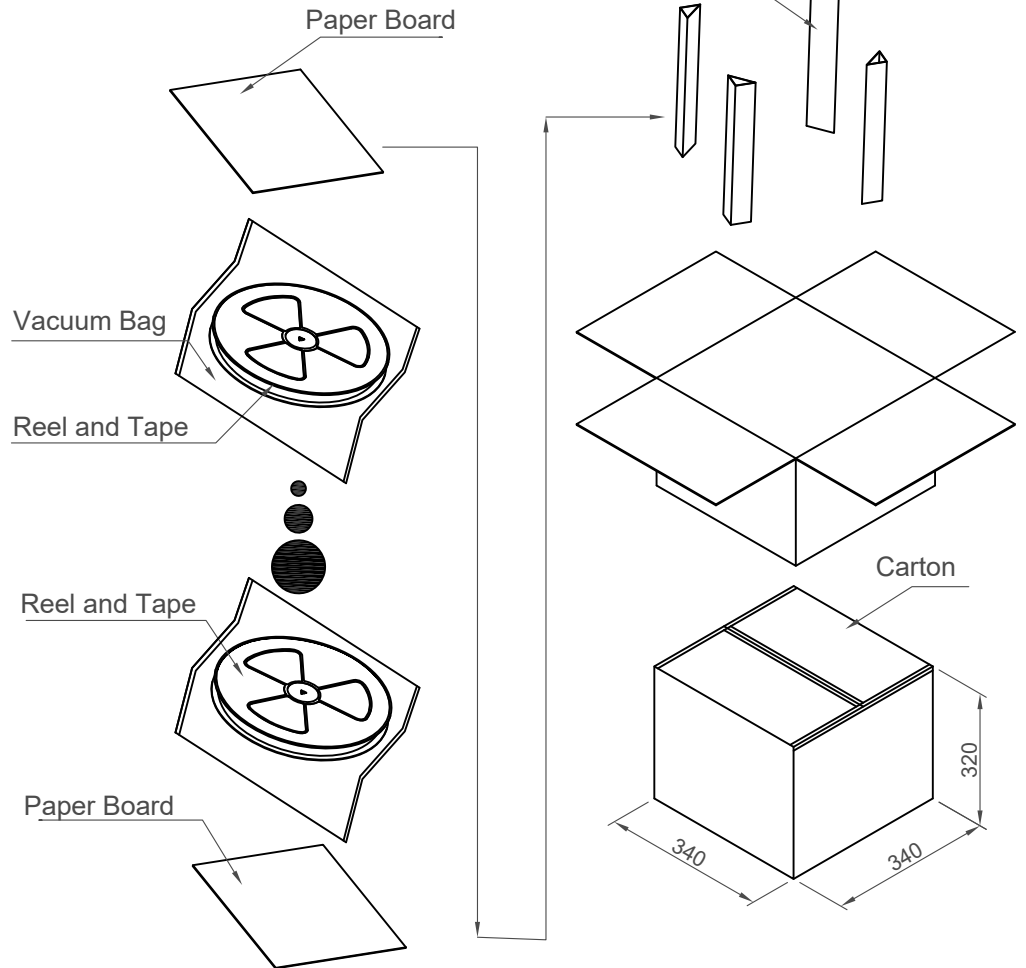
Direction of Unreeling →



Direction of Unreeling →



Folder Paper Board



Pcs / Reel	Reels / Carton	Total Quantity
700	10	7,000 pcs

Part Number		Product Description	
USB4715		Type C Receptacle, Horizontal, Mid-Mount, SMT, IP67, For Power Charging Only, 6 Pin	
Drawing Date		4th July 2022	
By	CC	Tolerances (Except as Noted)	Units:
Detail	Drawing Release	Length	Metric (mm)
Revision	A	Angle	3rd Angle Projection
Date	04/07/22		



This drawing is confidential and copyright of Global Connector Technology, Ltd (GCT). This drawing must not be copied or disclosed without written consent. E & OE



Not to Scale Drawn By CC Sheet No. 4/4