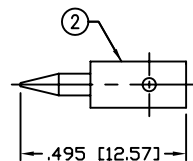
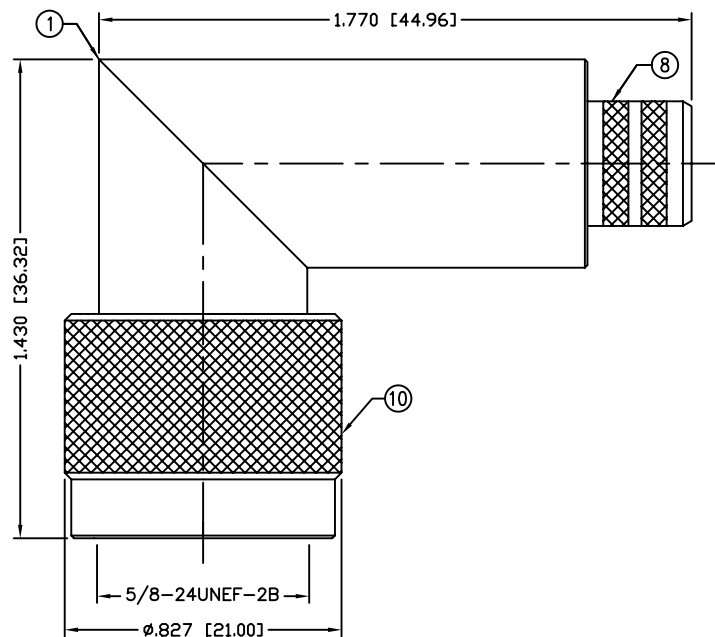


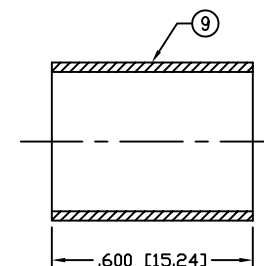
PART NO.

RFN-1009-3E

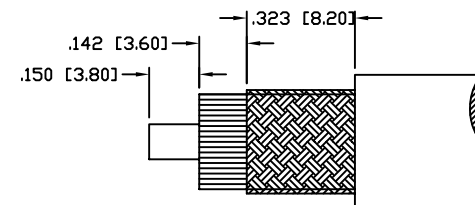
| REV | DESCRIPTION | DWN | DATE | APPROVED |
|-----|---------------------|-----|----------|----------|
| - | ENGINEERING RELEASE | CZS | 07/22/08 | JDMc |



RECOMMENDED CRIMP DIE: .118"



RECOMMENDED CRIMP DIE: .429"



RECOMMENDED STRIPPING INSTRUCTIONS

SPECIFICATIONS:

IMPEDANCE: 50 Ohms

FREQUENCY RANGE: 0-11 GHz

WORKING VOLTAGE: 1k V rms @ sea level

TEMPERATURE RANGE: -65°C TO 85°C

INSULATION RESISTANCE: 5k M Ohms min.

FOR RG-8, 8A, 213/U, ALPHA 9008, 9213, BELDEN 8267, 9251,

9880, 89880, INTERCOMP 4085, 22132, TIMES AA-4478

| | | | | |
|----|--------------|---|----------|---------------|
| 12 | GASKET | 1 | SILICONE | --- |
| 11 | RETAINING | 1 | BRASS | SILVER, 80 μ" |
| 10 | SHELL | 1 | BRASS | SILVER, 80 μ" |
| 9 | FERRULE | 1 | BRASS | SILVER, 80 μ" |
| 8 | FERRULE STUD | 1 | BRASS | SILVER, 80 μ" |
| 7 | GROUND RING | 1 | BRASS | SILVER, 80 μ" |
| 6 | INSULATOR | 1 | PTFE | --- |
| 5 | INSULATOR | 1 | PTFE | --- |
| 4 | PIN | 1 | BRASS | GOLD, 3 μ" |
| 3 | PIN | 1 | BRASS | GOLD, 3 μ" |
| 2 | PIN | 1 | BRASS | GOLD, 3 μ" |
| 1 | BODY | 1 | BRASS | SILVER, 80 μ" |

| # | DESCRIPTION | QTY | MATERIAL | FINISH |
|---|-------------|-----|----------|--------|
|---|-------------|-----|----------|--------|

CUSTOMER
OUTLINE DRAWINGALL DIMENSIONS
ARE REFERENCE ONLYUNLESS OTHERWISE SPECIFIED:
DIMENSIONS ARE IN INCHES
AND [MILLIMETERS]DRAWN
JDM 2/17/10

CHECKED

ORJ DRAWN
C. ZUNIGA 07/22/08**RoHS
COMPLIANT**

PROPRIETARY AND CONFIDENTIAL
THIS DRAWING CONTAINS
INFORMATION PROPRIETARY TO
RF INDUSTRIES. ANY
UNAUTHORIZED USE OF THIS
DRAWING IS EXPRESSLY
PROHIBITED WITHOUT WRITTEN
PERMISSION FROM RF
INDUSTRIES. ANY VIOLATION IS
PUNISHABLE UNDER U.S.
COPYRIGHT LAWS.

RFconnectors7610 MIRAMAR RD.
SAN DIEGO, CA 92126
(858) 549-6340
DIVISION OF RF INDUSTRIES, LTD. (858) 549-6345 FAX**N PLUG, CRIMP**
RIGHT ANGLE

| SIZE | CABLE GROUP | DWG NO. | REV |
|---------------|---------------------------|--------------------|-----|
| A | E | RFN-1009-3E | --- |
| SCALE: NTS | ENGINEERING ID: 000494 | SHEET 1 OF 1 | |