

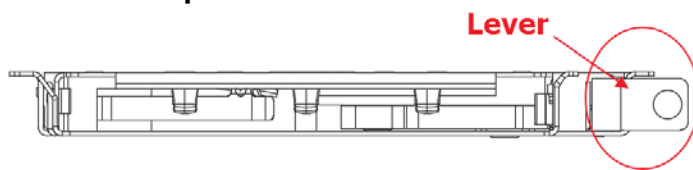
Amphenol Taiwan Corporation Product Change Notification

Part Numbers Concerned :	G85D1140X2XP1HR	Originator:	Karen Su
Product Description:	NANO SIM CARD CONNECTOR 6 POS., SMT, TOOL PUSH TYPE, NORMAL OPEN	Issue Date:	2020/07/03
		PCN NO:	PCN_20200603
Distribution:			

Product change notice

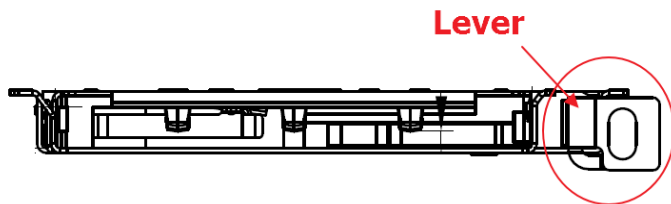
OPTIMIZE THE STRENGTH OF LEVER/UPDATE NOTES & TITLE & PAGE 2

Old version part: G85D1140X2XP1HR AX5



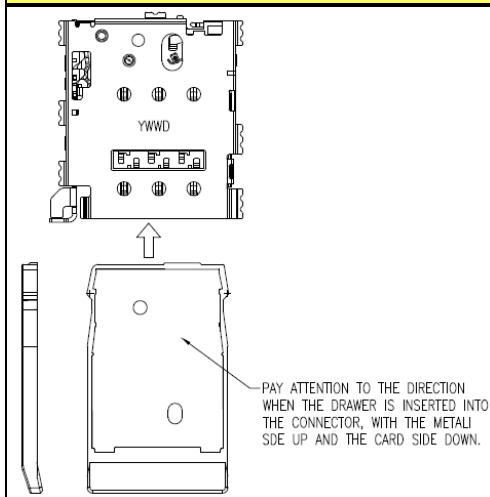
TITLE
NANO SIM CARD CONNECTOR 6 POS., SMT TYPE, NORMAL OPEN

New version part: G85D1140X2XSP1HR AX1



TITLE
NANO SIM CARD CONNECTOR 6 POS., SMT, TOOL PUSH TYPE, NORMAL OPEN

- 5. PRODUCT SPECIFICATION REFER TO : PS-7770.
- 6. DO NOT ADD OBJECT TO THE SHELL, SUCH AS CONDUCTIVE SPONGE.



Background:

Customer feedback:

It's easy to damage on this lever when we use card pin to push.

Product Part Number Affected:

Implementation date:

Immediately cut in.

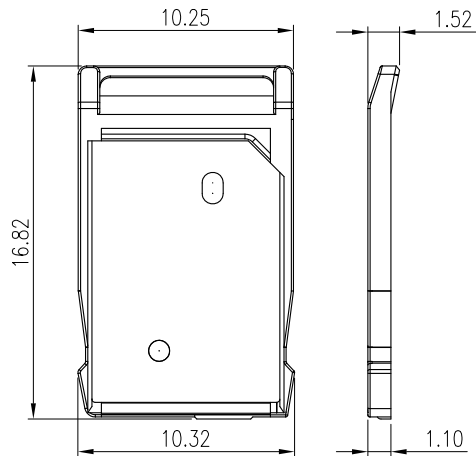
Recommended Action:

Sales team informs customers above changes of part.

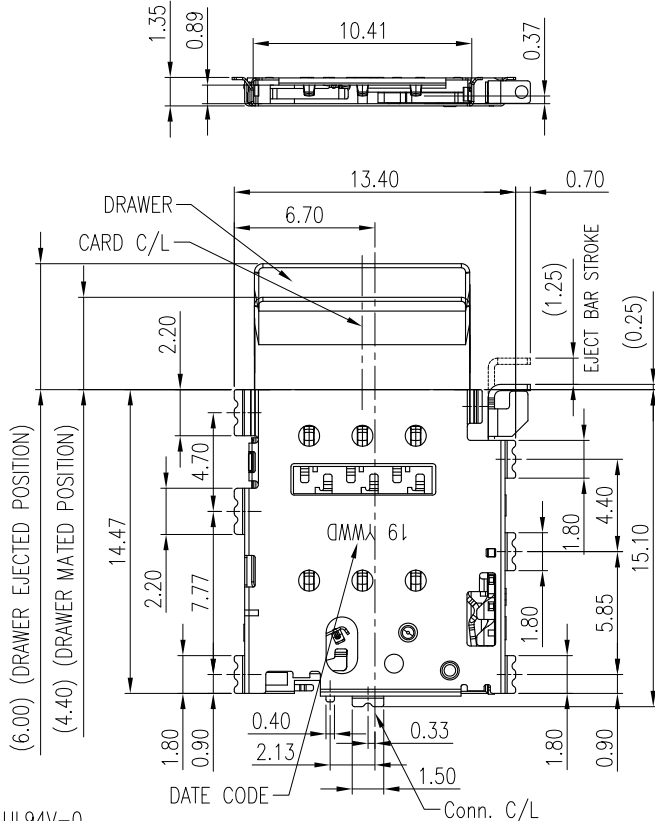
FOR REFERENCE ONLY

This document is the property of Amphenol Corporation and is delivered on the express condition that is not to be disclosed, reproduced or used, in whole or in part, for manufacture or sale by anyone other than Amphenol Corporation without its prior consent, and that no right is granted to disclose or to use any information in this document.
The marking on this product doesn't contain environmental hazardous materials per directive 2011/65/EU for RoHS compliant.

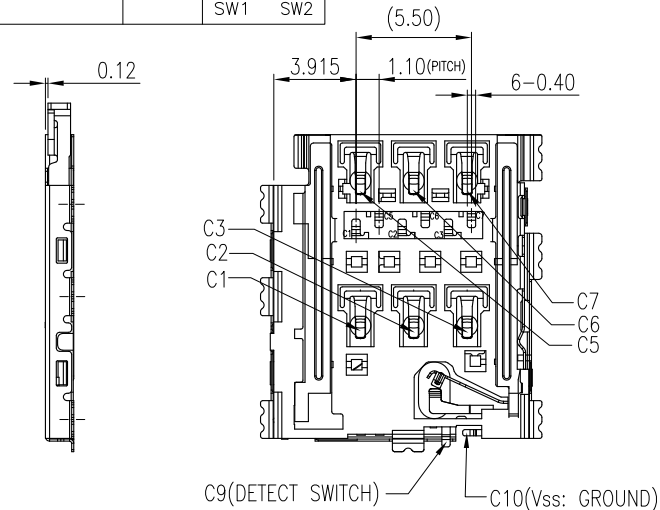
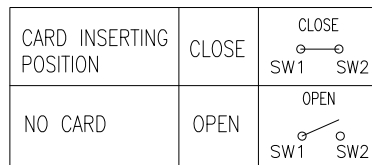
REVISIONS				
SYM	ECN No.	DESCRIPTION	DATE	APPROVED
AX1	EDSR#7149	NON-RELEASE REVISION	03/29/2017	Roger Tsai
AX2	EDSR#8264	UPDATE DRAWER	01/17/2018	Roger Tsai
AX3	EDSR#8274	ADDED DRAWER INSERTED SITUATION	01/19/2018	Roger Tsai
AX4		ADDED PCB LAYOUT PAD DIMENSION 0.77*0.6	02/22/2018	Roger Tsai
AX5		UPDATE DRAW	10/14/2019	Roger Tsai



APPLICABLE DRAWER
PN:G85DT17001XP1EU



DETECT SWITCH



NOTES:

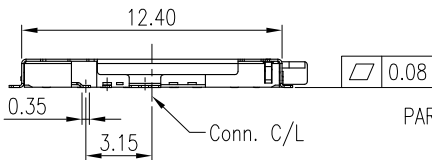
1. MATERIAL:

HOUSING: HIGH TEMPERATURE THERMAL PLASTIC LCP, UL94V-0, COLOR: BLACK.
 TERMINAL: COPPER ALLOY.
 SHELL: STAINLESS STEEL.
 LEVER: STAINLESS STEEL.
 CAM: STAINLESS STEEL.
 LATCH: STAINLESS STEEL.
 DRAWER : PA46+STAINLESS STEEL.

2. FINISH:

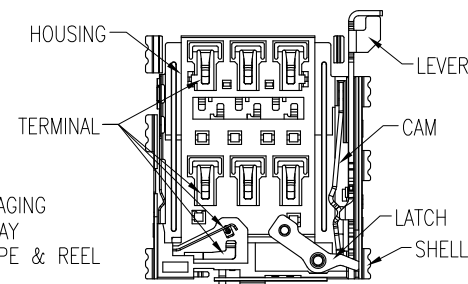
TERMINAL:
 CONTACT AREA: GOLD PLATING OPTION;
 SOLDERING AREA: GOLD FLASH PLATING THICKNESS MIN.;
 UNDER PLATING: NICKEL PLATING 50μ" THICKNESS MIN. OVERALL.
 SHELL: GOLD FLASH PLATING ON SOLDER AREA.
 NICKEL PLATING 50μ" THICKNESS MIN. OVERALL.

3. PACKING IS PER AMTA PACKING SPECIFICATION PKS-0001.
4. THIS PRODUCT DOESN'T CONTAIN ENVIRONMENTAL HAZARDOUS PER DIRECTIVE 2011/65/EU FOR RoHS COMPLIANT. OR PER IEC 61249-2-21 FOR HALOGEN-FREE COMPLIANT.



PART NO. G85D1140 X 2 X P1HR

CONTACT FINISH: 0: Gold flash, 3: 15u" Gold, 4: 30u" Gold
 PACKAGING: 1: TRAY, 2: TAPE & REEL



TOLERANCE		APPROVALS		DATE	TITLE	Amphenol®					
X.		DRAWN	Karen Su	10/14/2019	NANO SIM CARD CONNECTOR 6 POS., SMT TYPE, NORMAL OPEN	Amphenol Corporation Amphenol Taiwan Corporation					
X.X	±0.30	CHECKED	Aqua Chou	10/14/2019							
X.XX	±0.20	APPROVED	Roger Tsai	10/14/2019							
X.XXX	±0.10	DWG TYPE	CUST DWG	PROJECT CODE	OTHER	UNIT	mm	SIZE	A3	PART No.	G85D1140X2XP1HR
ANGULAR	±1°	UNLESS OTHERWISE SPECIFIED				SCALE	NA	SHEET	1 OF 3	DWG No.	G85D1140X2XP1HR
										REV.	AX5

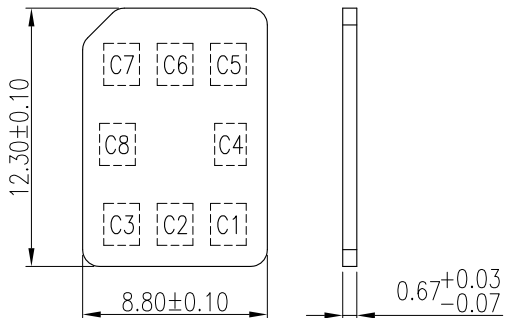
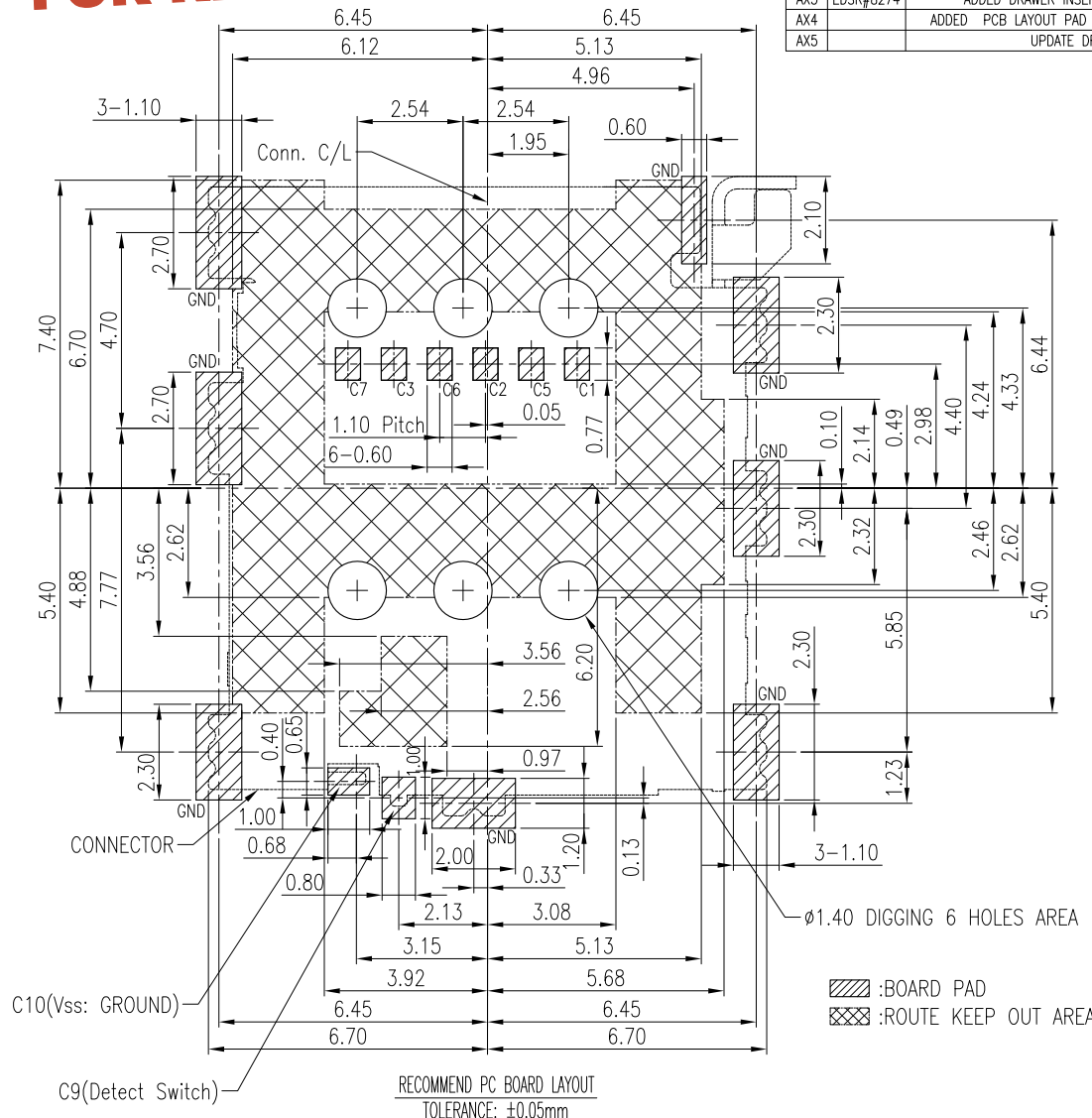
FOR REFERENCE ONLY

This document is the property of Amphenol Corporation and is delivered on the express condition that is not to be disclosed, reproduced or used, in whole or in part, for manufacture or sale by anyone other than Amphenol Corporation without its prior consent, and that no right is granted to disclose or to use any information in this document.
The marking on this product doesn't contain environmental hazardous materials per directive 2011/65/EU for RoHS compliant.

REVISIONS				
SYM	ECN No.	DESCRIPTION	DATE	APPROVED
AX1	EDSR#7149	NON-RELEASE REVISION	03/29/2017	Roger Tsai
AX2	EDSR#8264	UPDATE DRAWER	01/17/2018	Roger Tsai
AX3	EDSR#8274	ADDED DRAWER INSERTED SITUATION	01/19/2018	Roger Tsai
AX4		ADDED PCB LAYOUT PAD DIMENSION 0.77*0.6	02/22/2018	Roger Tsai
AX5		UPDATE DRAW	10/14/2019	Roger Tsai

PIN ASSIGNMENT:

C1	Supply voltage Vcc
C2	Reset(RST)
C3	Clock CLK
C5	GND
C6	Programming voltage Vpp
C7	I/O
C9	DETECT SWITCH
C10	Vss:GROUND



NANO SIM CARD
Use to Actual card(nanoSIM CARD);
not cut from microSIM or miniSIM
or SIM CARD by manual.

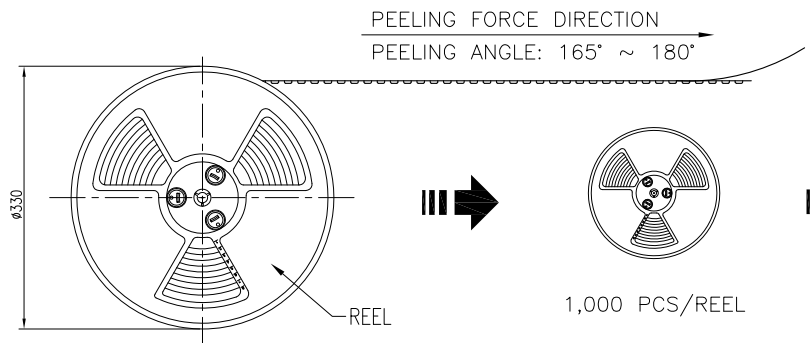
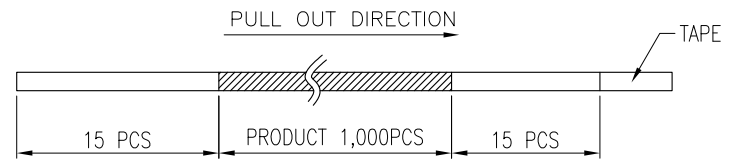
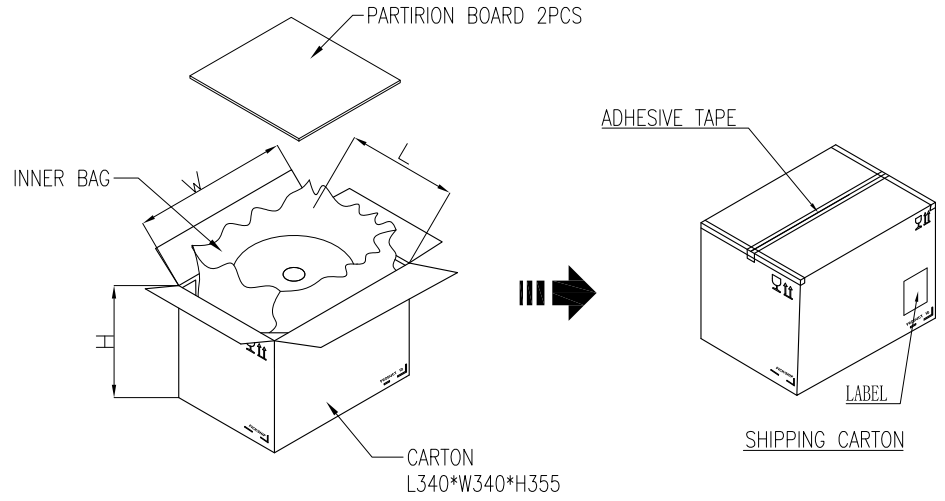
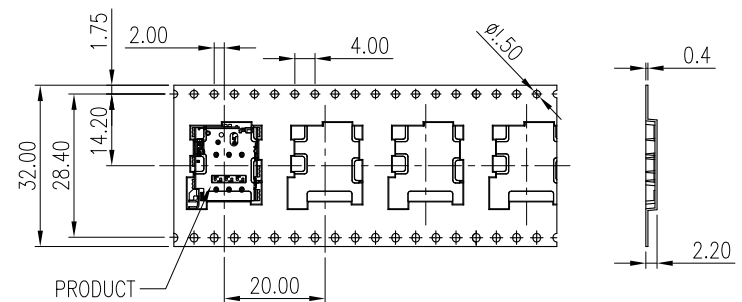
▨ :BOARD PAD
▩ :ROUTE KEEP OUT AREA

TOLERANCE		APPROVALS		DATE	TITLE		Amphenol®						
X.		DRAWN	Karen Su	10/14/2019	NANO SIM CARD CONNECTOR		Amphenol Corporation Amphenol Taiwan Corporation						
X.X	±0.30	CHECKED	Aqua Chou	10/14/2019	6 POS., SMT TYPE, NORMAL OPEN								
X.XX	±0.20	APPROVED	Roger Tsai	10/14/2019	UNIT	mm	SIZE	A3	PART No.	G85D1140X2XP1HR			
X.XXX	±0.10	DWG TYPE	CUST DWG	PROJECT CODE	OTHER	SCALE	NA	SHEET	2 OF 3	DWG No.	G85D1140X2XP1HR	REV.	AX5
ANGULAR	±1°												
UNLESS OTHERWISE SPECIFIED													

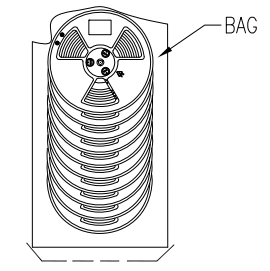
This document is the property of Amphenol Corporation and is delivered on the express condition that is not to be disclosed, reproduced or used, in whole or in part, for manufacture or sale by anyone other than Amphenol Corporation without its prior consent, and that no right is granted to disclose or to use any information in this document.
 The marking on this product doesn't contain environmental hazardous materials per directive 2011/65/EU for RoHS compliant.

FOR REFERENCE ONLY

REVISIONS				
SYM	ECN No.	DESCRIPTION	DATE	APPROVED
AX1	EDSR#7149	NON-RELEASE REVISION	03/29/2017	Roger Tsai
AX2	EDSR#8264	UPDATE DRAWER	01/17/2018	Roger Tsai
AX3	EDSR#8274	ADDED DRAWER INSERTED SITUATION	01/19/2018	Roger Tsai
AX4		ADDED PCB LAYOUT PAD DIMENSION 0.77*0.6	02/22/2018	Roger Tsai
AX5		UPDATE DRAW	10/14/2019	Roger Tsai



1,000 PCS/REEL



TOTAL 9 REEL

PACKAGING BY T&R	xx	xx	1,000	9	9,000	GMCB053X1X21BEU
	G/W KG	N/W KG	PCS/REEL	REELS/BOX	QUANTITY (PCS)	PART NUMBER

TOLERANCE	APPROVALS	DATE	TITLE	UNIT	SIZE	PART No.
X. ±0.30	DRAWN Karen Su	10/14/2019	NANO SIM CARD CONNECTOR 6 POS., SMT TYPE, NORMAL OPEN	mm	A3	G85D1140X2XP1HR
X.X ±0.20	CHECKED Aqua Chou	10/14/2019				
X.XX ±0.10	APPROVED Roger Tsai	10/14/2019		NA	3 OF 3	G85D1140X2XP1HR
ANGULAR ±1°	DWG TYPE CUST DWG	PROJECT CODE OTHER				
UNLESS OTHERWISE SPECIFIED						

Amphenol[®]
 Amphenol Corporation
 Amphenol Taiwan Corporation

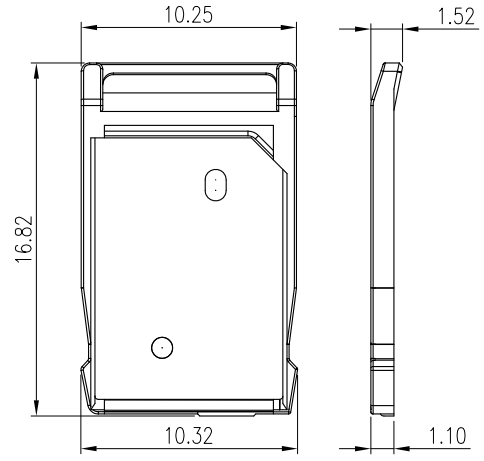
This document is the property of Amphenol Corporation and is delivered on the express condition that is not to be disclosed, reproduced or used, in whole or in part, for manufacture or sale by anyone other than Amphenol Corporation without its prior consent, and that no right is granted to disclose or to use any information in this document.
The marking on this product doesn't contain environmental hazardous materials per directive 2011/65/EU for RoHS compliant.

REVISIONS				
SYM	ECN No.	DESCRIPTION	DATE	APPROVED
AX1	EDSR#10059	NON-RELEASE REVISION	07/03/2020	Roger Tsai

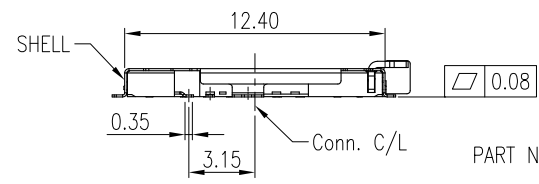
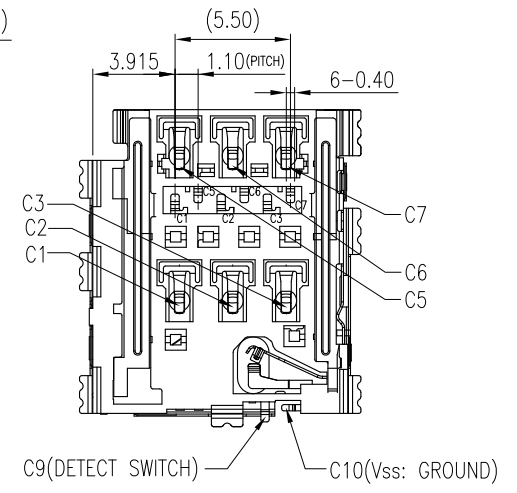
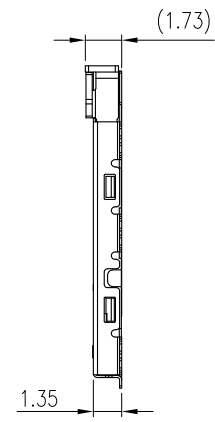
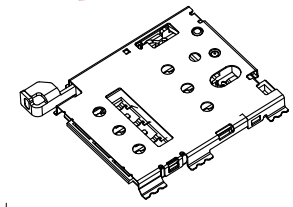
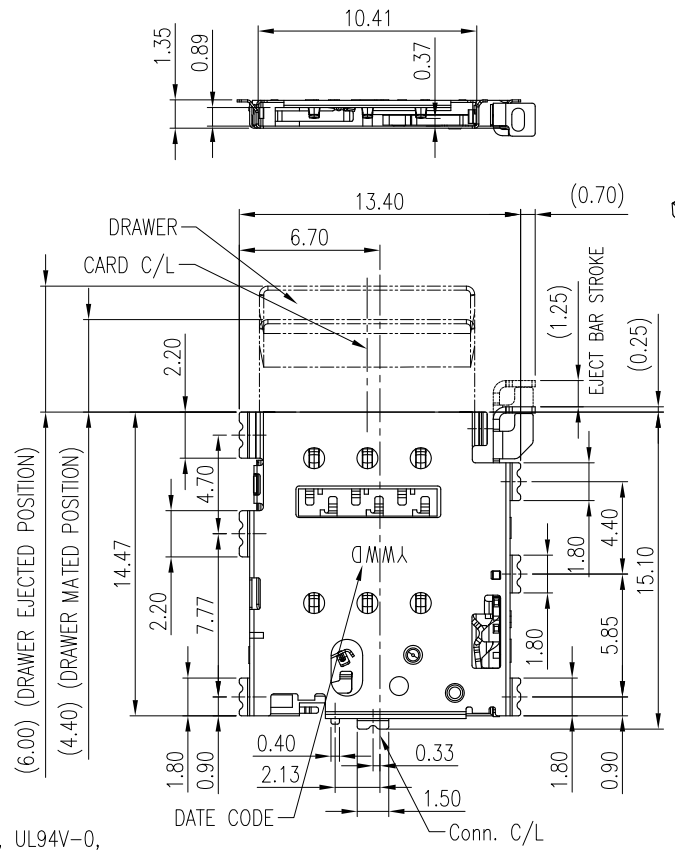
FOR REFERENCE ONLY

DETECT SWITCH

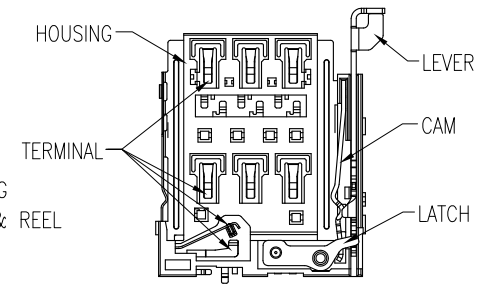
DRAWER INSERTING POSITION	CLOSE	CLOSE C9 C10
NO DRAWER	OPEN	OPEN C9 C10



APPLICABLE DRAWER
PN:G85DT17001XP1EU



PART NO. G85D1140 X 2 X SP1HR
CONTACT FINISH: 0: Gold Flash, 3: 15u" Gold, 4: 30u" Gold
PACKAGING: 2: TAPE & REEL



- NOTES:
- MATERIAL:
HOUSING: HIGH TEMPERATURE THERMAL PLASTIC LCP, UL94V-0, COLOR: BLACK.
TERMINAL: COPPER ALLOY.
SHELL: STAINLESS STEEL.
LEVER: STAINLESS STEEL.
CAM: STAINLESS STEEL.
LATCH: STAINLESS STEEL.
DRAWER : PA46+STAINLESS STEEL.
 - FINISH:
TERMINAL:
CONTACT AREA: GOLD PLATING OPTION;
SOLDERING AREA: GOLD FLASH PLATING THICKNESS MIN.;
UNDER PLATING: NICKEL PLATING 50μ" THICKNESS MIN. OVERALL.
SHELL: GOLD FLASH PLATING ON SOLDER AREA.
NICKEL PLATING 50μ" THICKNESS MIN. OVERALL.
 - PACKING IS PER AMTA PACKING SPECIFICATION PKS-0001.
 - THIS PRODUCT DOESN'T CONTAIN ENVIRONMENTAL HAZARDOUS PER DIRECTIVE 2011/65/EU FOR RoHS COMPLIANT.
OR PER IEC 61249-2-21 FOR HALOGEN-FREE COMPLIANT.
 - PRODUCT SPECIFICATION REFER TO : PS-7770.
 - DO NOT ADD OBJECT TO THE SHELL, SUCH AS CONDUCTIVE SPONGE.

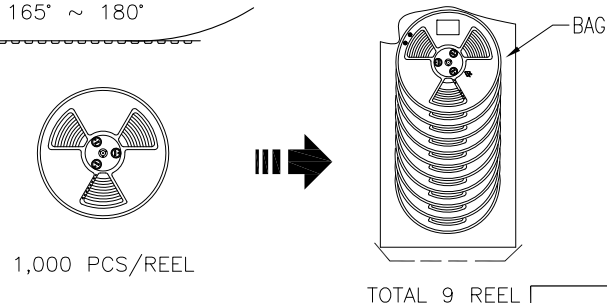
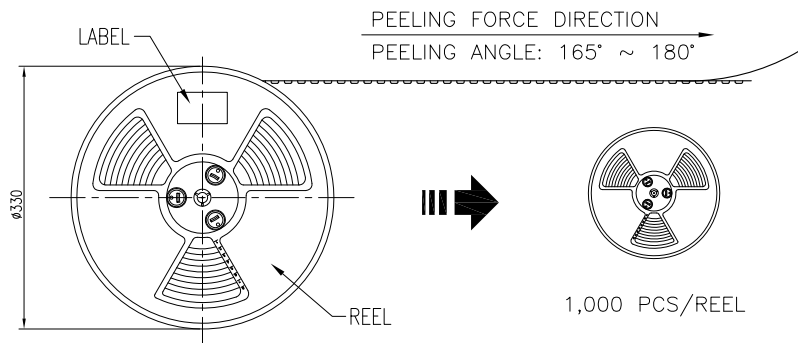
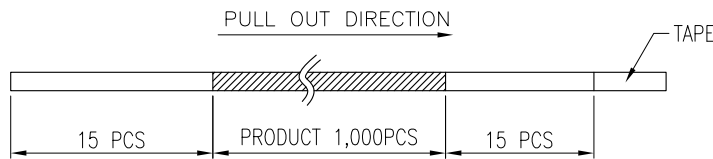
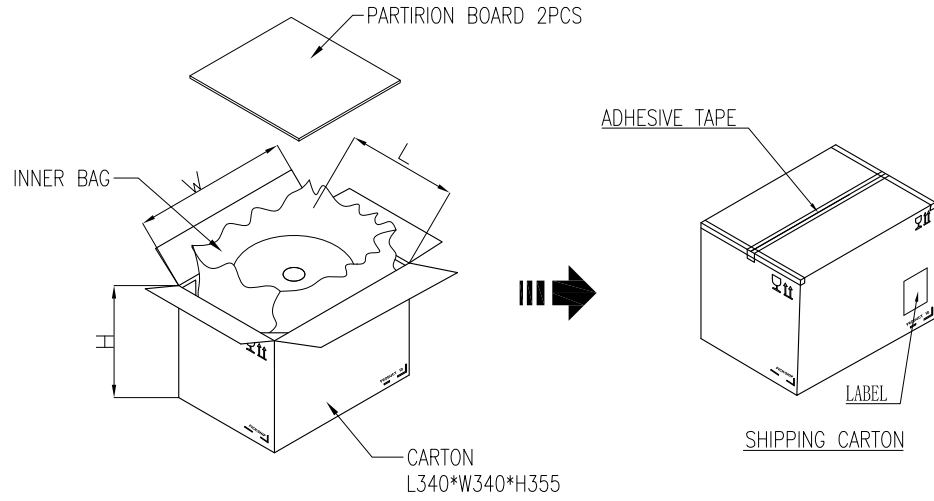
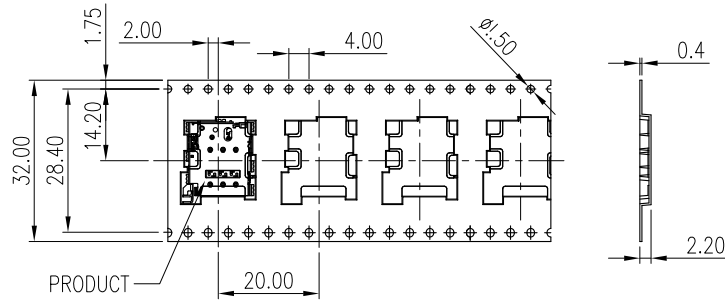
TOLERANCE	APPROVALS	DATE	TITLE	UNIT	SIZE	PART No.
X. ±0.30	DRAWN Karen Su	07/03/2020	NANO SIM CARD CONNECTOR 6 POS., SMT, TOOL PUSH TYPE, NORMAL OPEN	mm	A3	G85D1140X2XSP1HR
X.X ±0.20	CHECKED Aqua Chou	07/03/2020				
X.XXX ±0.10	APPROVED Roger Tsai	07/03/2020				
ANGULAR ±1°	DWG TYPE CUST DWG	PROJECT CODE OTHER		SCALE NA	SHEET 1 OF 3	DWG No. G85D1140X2XSP1HR
UNLESS OTHERWISE SPECIFIED						REV. AX1

Amphenol[®]
Amphenol Corporation
Amphenol Taiwan Corporation

This document is the property of Amphenol Corporation and is delivered on the express condition that it is not to be disclosed, reproduced or used, in whole or in part, for manufacture or sale by anyone other than Amphenol Corporation without its prior consent, and that no right is granted to disclose or to use any information in this document.
 The marking on this product doesn't contain environmental hazardous materials per directive 2011/65/EU for RoHS compliant.

REVISIONS				
SYM	ECN No.	DESCRIPTION	DATE	APPROVED
AX1	EDSR#10059	NON-RELEASE REVISION	07/03/2020	Roger Tsai

FOR REFERENCE ONLY



PACKAGING BY T&R	xx	xx	1,000	9	9,000	GMCB053X1X21BEU
	G/W KG	N/W KG	PCS/ REEL	REELS/ BOX	QUANTITY (PCS)	PART NUMBER

TOLERANCE	APPROVALS	DATE	TITLE	UNIT	SIZE	PART No.
X. ±0.30	DRAWN Karen Su	07/03/2020	NANO SIM CARD CONNECTOR 6 POS., SMT, TOOL PUSH TYPE, NORMAL OPEN	mm	A3	Amphenol® Amphenol Corporation Amphenol Taiwan Corporation
X.X ±0.20	CHECKED Aqua Chou	07/03/2020				
X.XXX ±0.10	APPROVED Roger Tsai	07/03/2020				G85D1140X2XSP1HR
ANGULAR ±1°	DWG TYPE CUST DWG	PROJECT CODE OTHER		SCALE NA	SHEET 3 OF 3	G85D1140X2XSP1HR
UNLESS OTHERWISE SPECIFIED						REV. AX1