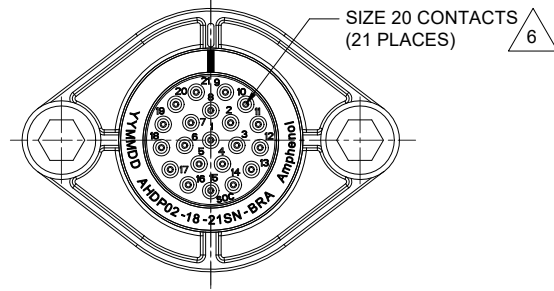
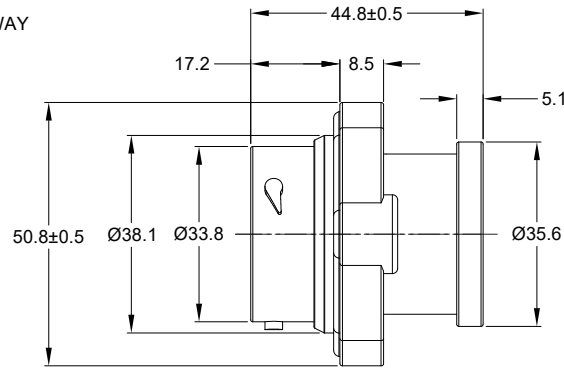
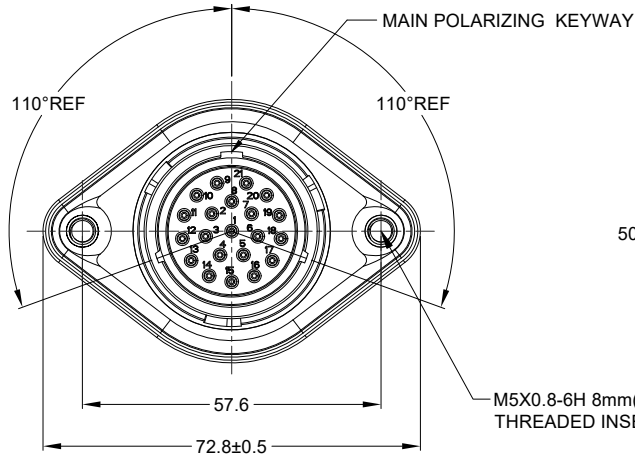


REVISIONS					
REV	ECO	DESCRIPTION	DATE	BY	APPR
A1	-	RELEASE NEW DRAWING	20/APR/22	MILO	TOMMY



M5X0.8-6H 8mm(2X) DEEP
THREADED INSERT

RECOMMENDED TORQUE
VALUES: 1.9-2.2 N.m

NOTES: UNLESS OTHERWISE SPECIFIED

1. MATERIAL:
HOUSING: THERMOPLASTIC; BLACK
SEAL: SILICONE RUBBER
THREADED INSERT: STAINLESS STEEL

2. MODIFICATIONS: BACKSHELL RING ADAPTER (BRA);
STANDARD DIA. WIRE SEAL;
SEALED PANEL MOUNT

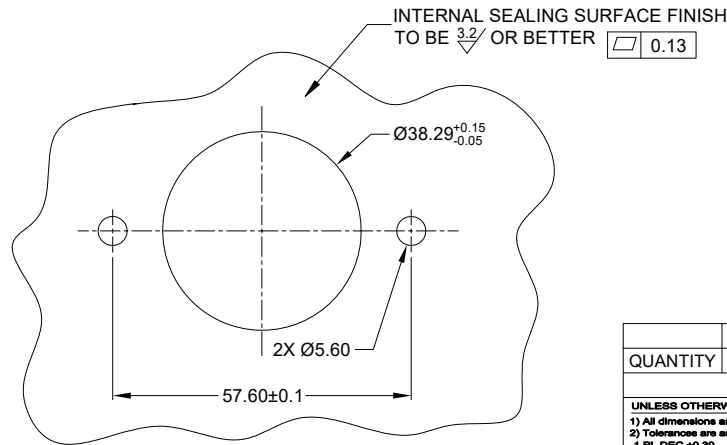
3. SPECIFICATIONS:
3.1 OPERATING TEMPERATURE: -55°C TO +125°C.
3.2 DIELECTRIC WITHSTANDING VOLTAGE: LESS THAN 2
MILLIAMPS CURRENT LEAKAGE @ 1500 VOLTS AC.
3.3 INSULATION RESISTANCE: 1000 MEGOHM MIN @ 25°C.
3.4 MOISTURE RESISTANCE:
IP68(IM OF WATER FOR A PERIOD OF 24 HOURS,MATED
CONDITION);
IP69K (MATED CONDITION)
3.5 MATING CYCLE DURABILITY: 100 CYCLES
3.6 RoHS COMPLIANT

4. MATING PART: AHDP06-18-21P* (* = SEAL TYPE)

5. ALL DIMENSIONS ARE FOR REFERENCE USE ONLY.

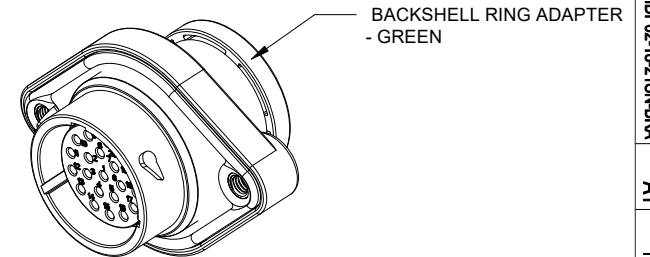
6 CONTACT SIZE AND WIRE RANGE:

CONTACT SIZE	MIN. INSUL O.D.	MAX. INSUL O.D.	TYPICAL WIRE RANGE	CURRENT RATING
20	1.02 mm (.040 in)	2.41 mm (.095 in)	16-22 AWG (1.5-0.35mm ²)	7.5 AMPS



RECOMMENDED PANEL
MOUNTING HOLE

RECOMMENDED PANEL
THICKNESS: 1.6 TO 4.7MM



QUANTITY	AHDP02-18-21SN-BRA	DESCRIPTION	ITEM
	PART NUMBER		

MATERIALS LIST		
UNLESS OTHERWISE SPECIFIED	SIGNATURES	DATE
1) All dimensions are in metric(mm).	DRAWN: MILO	20/APR/22
2) Tolerances are as follows:	CHECKED: SULLEN	21/APR/22
1 PL DEC ±0.30	ENGINEER:	
2 PL DEC ±0.15	APPROVAL: TOMMY	22/APR/22
3 PL DEC ±0.08	CUSTOMER:	
3) Note reference =		
MATERIAL SPECIFICATIONS:		
WEIGHT: 53.7g		
PROCESS SPECIFICATIONS:		
NEXT ASSY:		

Sine Systems - www.amphenol-sine.com 44724 Morley Drive Clinton Township, MI 48036	
21POS, RECEPT, SOCKET, PANELMATE AHDP SIZE 18, NORMAL SEAL, BRA	
SIZE	REVISION
B C-	A1
SCALE: NONE	DWG NO: AHDP02-18-21SN-BRA
	DURAMATE SHEET 1 OF 1

TITLE: 21POS RECEPT SOCKET, PANELMATE AHDP SIZE 18, NORMAL SEAL, BRA

DWG NO:

AHDP02-18-21SN-BRA

REV: A1

SH: 1

OF: 1