



8000 MHz Suspended Stripline High Pass Filter

Part Number: AE8000SSH6601



ANATECH ELECTRONICS INC
RF & Microwave Filters & Products

Electrical Specifications

Cut Off Frequency: 8.0GHz
Pass Band Frequency: 8.0~28GHz
Pass Band Insertion Loss:
≤1.5dB @ 8.0~8.3GHz
≤1.0dB @ 8.3~28GHz
Pass Band VSWR:
≤1.5:1 @ 8.0~20GHz
≤1.8:1 @ 20~28GHz
Stop Band Attenuation: ≥50dB @ DC~6.65GHz
Impedance: 50 Ohms
Power Handling: ≤15W

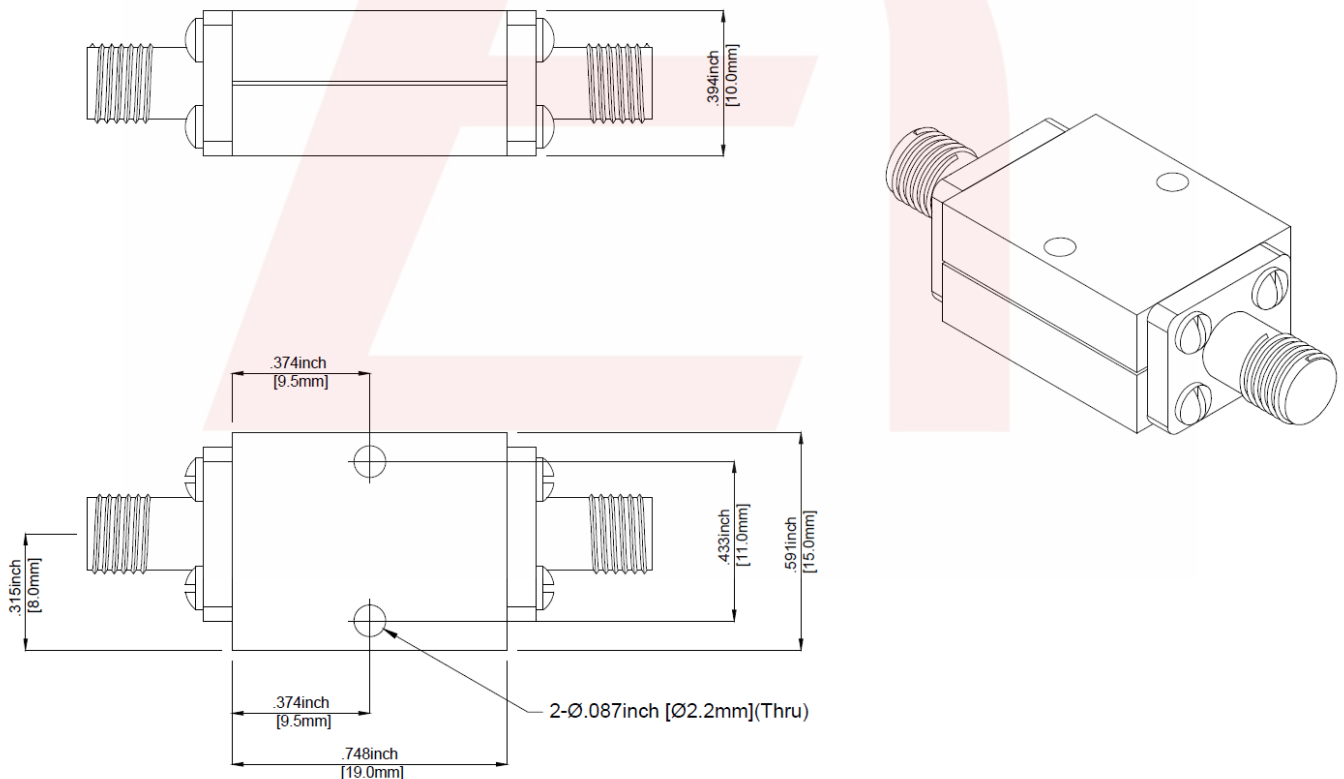
Mechanical

Mounting Method: Through Holes
Connector Type: SMA-Female
Dimensions: 19 x 15 x 10 mm

Environmental

Operating Temperature: -45° to +85° C
Storage Temperature: -55° to +95° C
Shock: 20 G. 11ms
Vibration: 20 G. 5 to 200 Hz

Outline Drawing:



DS-SSH6601-01252019-Rev0

70 Outwater Lane Phone: (973) 772-4242
Garfield, NJ 07026 Fax : (973) 772-4646

Email: sales@anatechelectronics.com
Web: www.anatechelectronics.com